

# Fusion

GHS 52"H Refrigerated Service Case w/ Flat Glass

Structural Concepts®

DELIVERING FRESH. ALWAYS.™

- **GHS452RLB** 51"L x 42-3/4"D x 51-1/4"H
- **GHS552RLB** 62-7/8"L x 42-3/4"D x 51-1/4"H
- **GHS652RLB** 75-3/8"L x 42-3/4"D x 51-1/4"H
- **GHS852RLB** 99-3/4"L x 42-3/4"D x 51-1/4"H
- **GHS1052RLB** 123-3/8"L x 42-3/4"D x 51-1/4"H
- **GHS1252RLB** 148-1/2"L x 42-3/4"D x 51-1/4"H

## Included

- Remote DX refrigeration
- Flat angled lift-up front glass
- LED top & shelf lights
- One year parts & labor warranty
- Stainless steel rear exterior
- Warmest average product temperature of 40°F or less



**GHS1052RLB**

| Specify                        | Standard Features                        | Additional Options  |
|--------------------------------|--|---|
| <b>EXTERIOR COLOR</b>          | • Laminate (stock colors)                | • Laminate (non-stock colors)<br>• Powder coated (stock/non-stock colors)<br>• Powder coated Silversan Black<br>• Stainless steel |
| <b>INTERIOR COLOR</b>          | • Powder coated Silversan Black          | • Stainless steel   |
| <b>LOWER FRONT PANEL COLOR</b> | • Powder coated Silversan Black          | • Powder coated (stock/non-stock colors)<br>• Stainless steel   |
| <b>BASE SUPPORT</b>            | • Rail system for shims                  |   |
| <b>BUMPER FRONT</b>            | • 1" Boston bumper (specify color)       | • 1" Stainless steel plate rail bumper  |
| <b>END PANELS</b>              | • Full w/stainless steel mirror interior | • Cutaway w/glass<br>• None (specify per line-up)   |
| <b>SCALE STAND</b>             | • None                                   | <sup>1</sup> • Scale stand w/ receptacle & CAT5 (specify location)<br>• Scale stand w/ receptacle (specify location)              |
| <b>PRICE TAG MOLDING</b>       | • None                                   | • 1" Price tag molding (black or silver)<br>• Universal price tag molding (clear w/ open top)                                     |
| <b>REAR DOORS</b>              | • Clear glass rear sliding doors         | • Reflective glass rear sliding doors   |
| <b>SHELVING</b>                | • 12" & 16" & 16" Solid shelving         | • 12" & 16" & 16" Glass shelving  |
| <b>LIGHTS</b>                  | • LED 3500K w/ frosted lens              | • LED 4000K w/ frosted lens   |
| <b>ELECTRICAL CONNECTION</b>   | • Electrical leads (remote)              |   |
| <b>REFRIGERATION</b>           | <sup>1</sup> • Remote DX refrigeration   | <sup>2</sup> • Remote w/thermostat, solenoid & TXV  |
| <b>SENSOR</b>                  | • None                                   | • CPC discharge air sensor (remote)   |
| <b>MISCELLANEOUS</b>           |  | • Front glass lock<br>• Rear door lock  |
| <b>ACCESSORIES</b>             |  | • Drain strainer  |

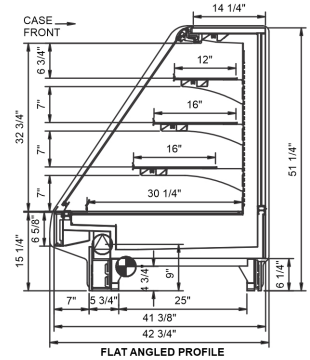
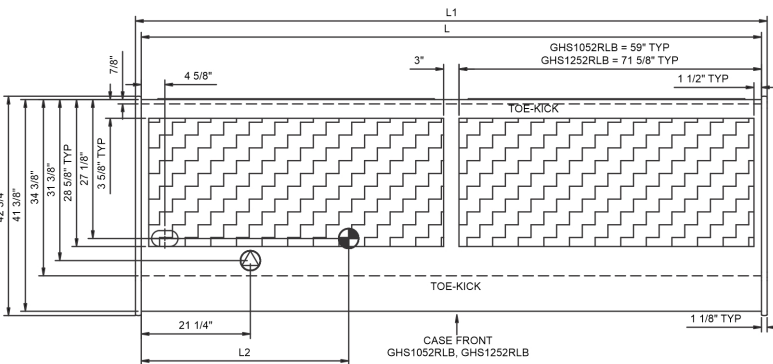
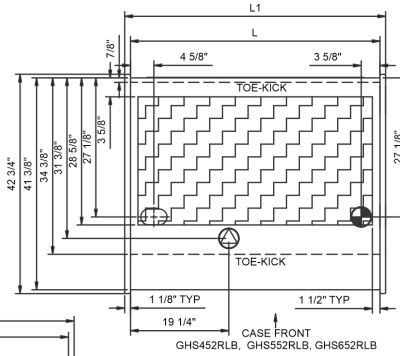
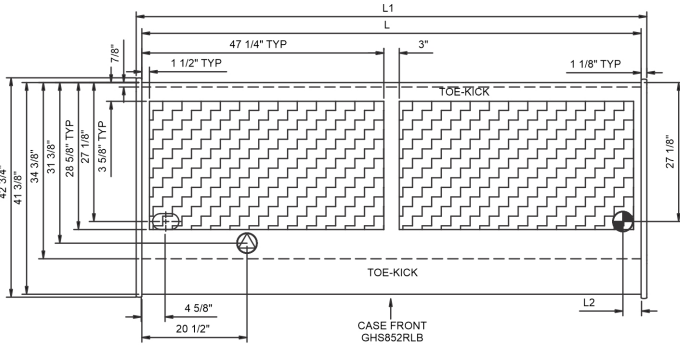
**Std Notes:** 1 - Read important notes for remote options

**Option Notes:** 1 - Separate circuit required  
2 - Read important notes for remote options

|  |   |                                  |
|--|---|----------------------------------|
| <b>Intended Environment:</b> Type I - Designed to operate in ambient conditions of 75°F with 55% relative humidity unless noted otherwise in system information below. |   |                                  |
| <b>Zone</b>  | <b>Intended Product To Be Displayed</b>                               | <b>Warmest Avg Prod Temp ° F</b> |
| 1  | Unpackaged refrigerated products-Prechilled to Warmest Avg Prod Temp. | 40                               |

## PLAN VIEW

## SIDE VIEW



NOTE: ALL DIMENSIONS APPROXIMATE

- ELECTRICAL JUNCTION BOX (SUPPLIED WITH 6" LEADS OR POWER CORD).
- LOCATION OF DRAIN TUBE FOR REMOTE REF. ONLY (SUPPLIED WITH 3/4" OR 1 1/2" PVC TUBE).

- REFRIGERATION LINE CONNECTION.
- REMOTE FLOOR SINK & UTILITIES ACCESS AREA.

- SELF-CONTAINED CASE SERVICE ACCESS AREA.
- DRY CASE SERVICE ACCESS AREA.

### Model Technical Specifications

| Model      | L"     | L1"    | L2"   | System Circuit Volts |            | Phs     | Freq | Amps *** | Watts | Wires | NEMA Plug | SST            | Conv. Rack BTUH | Para. Rack BTUH | Est Wt |       |
|------------|--------|--------|-------|----------------------|------------|---------|------|----------|-------|-------|-----------|----------------|-----------------|-----------------|--------|-------|
| GHS452RLB  | 48.75  | 51.00  | 3.63  | Remote (DX)          | Circuit #1 | 110-120 | 1    | 60       | 1.93  | 96    | 2+G       | Leads Multiple | 20.00           | 1728            | 1600   | 925   |
|            |        |        |       | Remote (GLYCOL 35%)  | Circuit #1 | 110-120 | 1    | 60       | 1.99  | 86    | 2+G       | Leads Multiple | 20.00           | 1728            | 1600   |       |
| GHS552RLB  | 60.63  | 62.88  | 3.63  | Remote (DX)          | Circuit #1 | 110-120 | 1    | 60       | 3.41  | 119   | 2+G       | Leads Multiple | 20.00           | 2052            | 1900   | 1,000 |
|            |        |        |       | Remote (GLYCOL 35%)  | Circuit #1 | 110-120 | 1    | 60       | 3.33  | 109   | 2+G       | Leads Multiple | 20.00           | 2052            | 1900   |       |
| GHS652RLB  | 73.13  | 75.38  | 3.63  | Remote (DX)          | Circuit #1 | 110-120 | 1    | 60       | 3.76  | 160   | 2+G       | Leads Multiple | 20.00           | 2614            | 2420   | 1,050 |
|            |        |        |       | Remote (GLYCOL 35%)  | Circuit #1 | 110-120 | 1    | 60       | 3.96  | 150   | 2+G       | Leads Multiple | -               | 2614            | 2420   |       |
| GHS852RLB  | 97.50  | 99.75  | 3.63  | Remote (DX)          | Circuit #1 | 110-120 | 1    | 60       | 3.87  | 193   | 2+G       | Leads Multiple | 20.00           | 3283            | 3040   | 1,500 |
|            |        |        |       | Remote (GLYCOL 35%)  | Circuit #1 | 110-120 | 1    | 60       | 4.07  | 183   | 2+G       | Leads Multiple | 20.00           | 3283            | 3040   |       |
| GHS1052RLB | 121.13 | 123.38 | 40.50 | Remote (DX)          | Circuit #1 | 110-120 | 1    | 60       | 4.64  | 229   | 2+G       | Leads Multiple | 20.00           | 4018            | 3720   | 1,500 |
|            |        |        |       | Remote (GLYCOL 35%)  | Circuit #1 | 110-120 | 1    | 60       | 4.56  | 126   | 2+G       | Leads Multiple | 20.00           | 4018            | 3720   |       |
| GHS1252RLB | 146.25 | 148.50 | 45.13 | Remote (DX)          | Circuit #1 | 110-120 | 1    | 60       | 6.46  | 285   | 2+G       | Leads Multiple | 20.00           | 4882            | 4520   | 1,500 |
|            |        |        |       | Remote (GLYCOL 35%)  | Circuit #1 | 110-120 | 1    | 60       | 6.80  | 275   | 2+G       | Leads Multiple | 20.00           | 4882            | 4520   |       |

\*\*\* Does not include electric defrost on freezer models.

### Regulatory Approvals:

All Models  
 Accordance with AHRI Std 1200  
 ETL Listed to UL 471  
 ETL Listed to CAN/CSA 22.2 No. 120  
 ETL Sanitation to NSF/ANSI 7



In Accordance with  
**AHRI Std 1200**

**DOE 2017**  
 Energy Efficiency  
 Compliant

### Important Notes:

- 1) REMOTE REFRIGERATION NOTE: Condensing unit not included, floor drain required.
- 2) ELECTRICAL NOTE: If GFCI is required, a GFCI breaker MUST be used in lieu of a GFCI receptacle
- 3) 45" minimum door entry clearance required (without shipping skid).
- 4) Units must be shimmed during installation to ensure the unit is level and plumb.

**⚠ WARNING:** This product can expose you to chemicals, including Urethane (Ethyl Carbamate), which are known to the State of California to cause cancer and birth defects or other reproductive harm. For more information go to [www.P65Warnings.ca.gov](http://www.P65Warnings.ca.gov).