

Technical Information

Fusion - GHS 56"H Refrigerated Service Case w/ Curved Glass

Structural Concepts®

DELIVERING FRESH. ALWAYS.™

DIMENSIONS / SHIPPING				
Model	L"	L1"	L2"	Est Wt (lbs)
GHS456RLB	48.750	51.000	3.625	925
GHS556RLB	60.625	62.875	3.625	1,000
GHS656RLB	73.125	75.375	3.625	1,050
GHS856RLB	97.500	99.750	3.625	1,400
GHS1056RLB	121.125	123.375	11.375	1,500
GHS1256RLB	146.250	148.500	45.125	1,500

ELECTRICAL															
Model	System Circuit Volts		Ph	Frq	Rated Load Amps	Min Cir Amps	Max OCP Amps	Watts	Wires	NEMA Plug	Amps Lights	Amps Fans	Amps Anti-Sweats	Amps Misc/Refrig/Heat	
GHS456RLB	Remote (DX)	Circuit #1	110-120	1	60	2.66	15	15	251	2+G	Leads Multiple	1.52	0.30	0.84	N/A
GHS556RLB	Remote (DX)	Circuit #1	110-120	1	60	2.92	15	15	149	2+G	Leads Multiple	1.40	0.60	0.92	N/A
GHS656RLB	Remote (DX)	Circuit #1	110-120	1	60	3.66	15	15	156	2+G	Leads Multiple	1.40	0.60	1.66	N/A
	Remote (GLYCOL)	Circuit #1	110-120	1	60	3.66	15	15	156	2+G	Leads Multiple	1.40	0.60	1.66	N/A
	Remote (R744 T)	Circuit #1	110-120	1	60	3.66	15	15	79	2+G	Leads Multiple	1.40	0.60	1.66	N/A
GHS856RLB	Remote (DX)	Circuit #1	110-120	1	60	4.47	15	15	197	2+G	Leads Multiple	2.10	0.60	1.77	N/A
	Remote (GLYCOL)-Type I Env	Circuit #1	110-120	1	60	3.06	15	15	182	2+G	Leads Multiple	2.10	0.60	1.76	N/A
GHS1056RLB	Remote (DX)	Circuit #1	110-120	1	60	5.84	15	15	267	2+G	Leads Multiple	2.80	1.20	1.84	N/A
GHS1256RLB	Remote (DX)	Circuit #1	110-120	1	60	5.65	15	15	296	2+G	Leads Multiple	2.80	0.90	1.95	N/A
	Remote (GLYCOL)	Circuit #1	110-120	1	60	6.38	15	15	549	2+G	Leads Multiple	2.10	0.93	3.35	N/A

REFRIGERATION													
Model	Zone	Section	System	Envt	REMOTE REFRIGERATION					GLYCOL / R744 REFRIGERATION			
					SST (°F)	Conv. Rack BTUH	Para. Rack BTUH	Defrost Interval (Hrs)	Defrost Duration	Total GPM	Pressure Drop (psi)	Concent (%)	Liquid Temp (°F)
GHS456RLB	All	Main	Remote-DX	Type I	20	1,793	1,660	4.00	25.00	N/A	N/A	N/A	N/A
GHS556RLB	All	Main	Remote-DX	Type I	20	2,138	1,980	4.00	30.00	N/A	N/A	N/A	N/A
GHS656RLB	All	Main	Remote-DX	Type I	20	2,722	2,520	4.00	30.00	N/A	N/A	N/A	N/A
	All	Main	Remote-Glycol	Type I	N/A	2,722	2,520	4.00	30.00	0.50	1.10	35%	20.00
GHS856RLB	All	Main	Remote-R744 TRANSCRITICAL	Type I	20	2,722	2,520	4.00	30.00	N/A	N/A	N/A	N/A
	All	Main	Remote-DX	Type I	20	3,456	3,200	4.00	30.00	N/A	N/A	N/A	N/A
GHS1056RLB	All	Refrigerator	Remote-Glycol-Type I Env	Type I	N/A	3,348	3,100	4.00	45.00	1.00	3.70	35%	20.00
	All	Main	Remote-DX	Type I	20	4,234	3,920	4.00	30.00	N/A	N/A	N/A	N/A
GHS1256RLB	All	Main	Remote-DX	Type I	20	5,011	4,640	4.00	30.00	N/A	N/A	N/A	N/A
	All	Main	Remote-Glycol	Type I	N/A	5,011	4,640	4.00	45.00	0.90	1.44	35%	20.00

INTENDED ENVIRONMENT		
Type I - Designed to operate in ambient conditions of 75°F with 55% relative humidity unless noted otherwise under Envt above.		
WARMEST AVERAGE PRODUCT TEMP & INTENDED USE OF ZONES		
Zone	Temp (°F)	Intended Use
1	40	Unpackaged refrigerated products

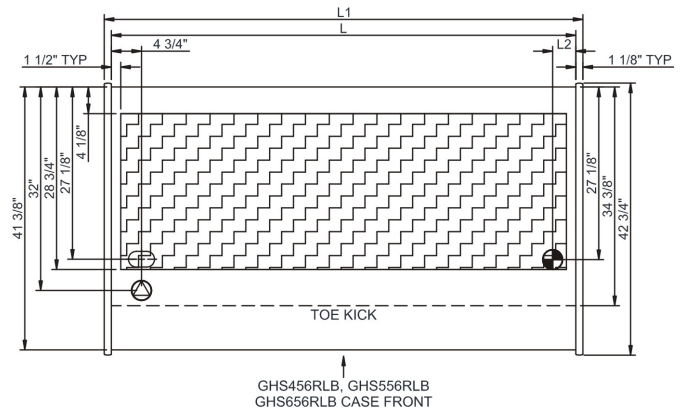
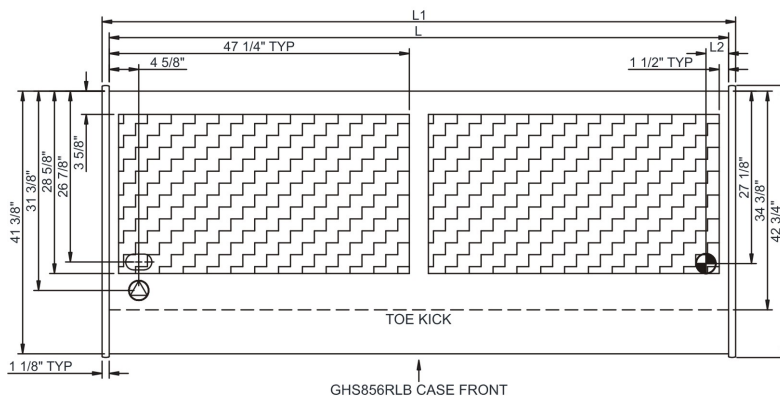
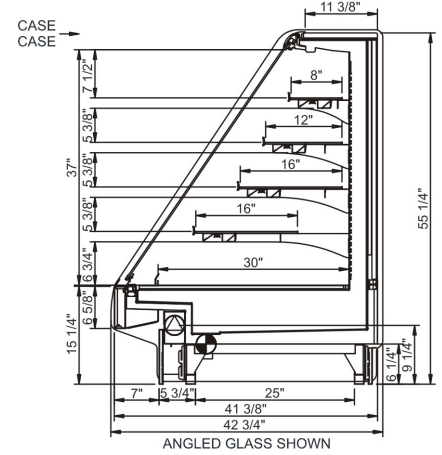
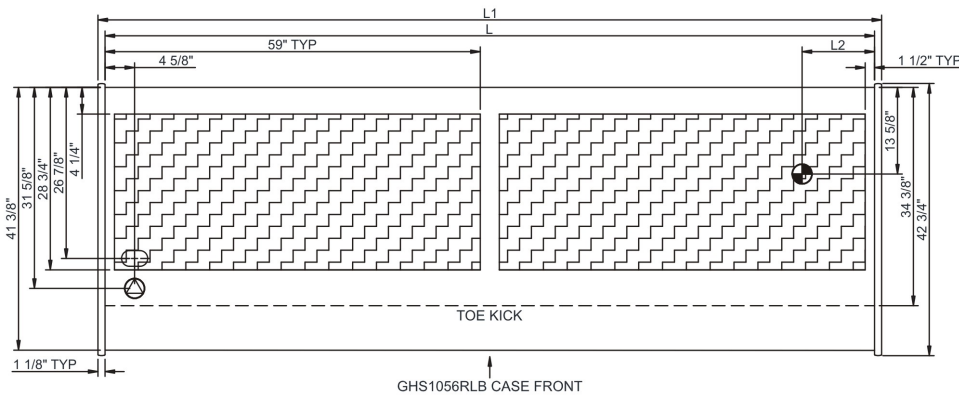
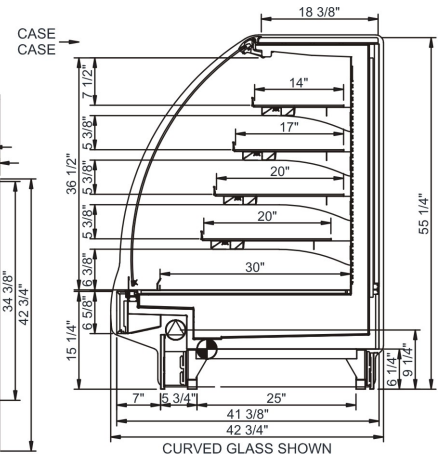
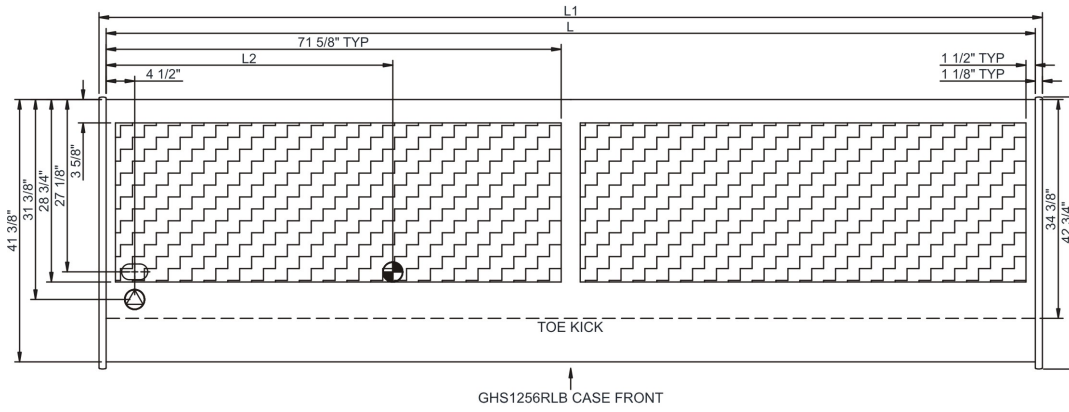
IMPORTANT NOTES
1) REMOTE REFRIGERATION NOTE: Condensing unit not included, floor drain required.
2) ELECTRICAL NOTE: If GFCI is required, a GFCI breaker MUST be used in lieu of a GFCI receptacle.
3) 45" minimum door entry clearance required (without shipping skid).
4) Units must be shimmed during installation to ensure the unit is level and plumb.

REGULATORY	
All Models	Accordance with AHRI Std 1200 ETL Listed to UL 471 ETL Listed to CAN/CSA 22.2 No. 120 ETL Sanitation to NSF/ANSI 7



In Accordance with
AHRI Std 1200

STANDARD HEADER



NOTE: ALL DIMENSIONS APPROXIMATE

- ELECTRICAL JUNCTION BOX (SUPPLIED WITH 6" LEADS OR POWER CORD).
- LOCATION OF DRAIN TUBE FOR REMOTE REF. ONLY (SUPPLIED WITH 3/4" OR 1 1/2" PVC TUBE).

- REFRIGERATION LINE CONNECTION.
- REMOTE FLOOR SINK & UTILITIES ACCESS AREA.

- SELF-CONTAINED CASE SERVICE ACCESS AREA.
- DRY CASE SERVICE ACCESS AREA.