

Technical Information

Fusion - GHSS 56"H Refrigerated Self-Service Case w/ Curved Profile

Structural Concepts®

DELIVERING FRESH. ALWAYS.™

DIMENSIONS / SHIPPING				
Model	L"	L1"	L2"	Est Wt (lbs)
GHSS456RLB	48.750	51.000	3.500	725
GHSS556RLB	60.625	62.875	3.500	1,050
GHSS656RLB	73.125	75.375	3.500	925
GHSS856RLB	97.500	99.750	3.500	1,250
GHSS1056RLB	121.125	123.375	40.500	1,300
GHSS1256RLB	146.250	148.500	45.125	1,500

ELECTRICAL														
Model	System	Circuit Volts	Ph	Frq	Rated Load Amps	Min Cir Amps	Max OCP Amps	Watts	Wires	NEMA Plug	Amps Lights	Amps Fans	Amps Anti-Sweats	Amps Misc/Refrig/Heat
GHSS456RLB	Remote (DX)-Type I Env	Circuit #1 110-120	1	60	1.48	15	15	81	2+G	Leads Multiple	0.70	0.60	0.18	N/A
GHSS556RLB	Remote (DX)	Circuit #1 110-120	1	60	2.34	15	15	158	2+G	Leads Multiple	1.40	0.62	0.24	0.08
GHSS656RLB	Remote (DX)	Circuit #1 110-120	1	60	2.62	15	15	218	2+G	Leads Multiple	1.40	0.93	0.29	N/A
	Remote (GLYCOL)	Circuit #1 110-120	1	60	2.62	15	15	193	2+G	Leads Multiple	1.40	0.93	0.29	N/A
GHSS856RLB	Remote (DX)	Circuit #1 110-120	1	60	3.67	15	15	225	2+G	Leads Multiple	2.10	1.20	0.37	N/A
	Remote (GLYCOL)-Type I Env	Circuit #1 110-120	1	60	3.67	15	15	210	2+G	Leads Multiple	2.10	1.20	0.37	N/A
GHSS1056RLB	Remote (DX)	Circuit #1 110-120	1	60	3.04	15	15	188	2+G	Leads Multiple	1.40	1.20	0.44	N/A
	Remote (GLYCOL)	Circuit #1 110-120	1	60	3.04	15	15	188	2+G	Leads Multiple	1.40	1.20	0.44	N/A
GHSS1256RLB	Remote (R744 T)-Type I Env	Circuit #1 110-120	1	60	4.51	15	15	338	2+G	Leads Multiple	2.10	1.86	0.55	N/A
	Remote (DX)-Type I Env	Circuit #1 110-120	1	60	4.51	15	15	338	2+G	Leads Multiple	2.10	1.86	0.55	N/A
	Remote (GLYCOL)-Type I Env	Circuit #1 110-120	1	60	4.51	15	15	374	2+G	Leads Multiple	2.10	1.86	0.55	N/A

REFRIGERATION														
Model	Zone	Section	System	Env	REMOTE REFRIGERATION					GLYCOL / R744 REFRIGERATION				
					SST (°F)	Conv. Rack BTUH	Para. Rack BTUH	Defrost Interval (Hrs)	Defrost Duration	Total GPM	Pressure Drop (psi)	Concent (%)	Liquid Temp (°F)	
GHSS456RLB	All	Main	Remote-DX-Type I Env	Type I	24	4,579	4,240	4.00	30.00	N/A	N/A	N/A	N/A	
GHSS556RLB	All	Refrigerator	Remote-DX	Type I	24	6,696	6,200	4.00	30.00	N/A	N/A	N/A	N/A	
GHSS656RLB	All	Main	Remote-DX	Type I	24	7,646	7,080	4.00	30.00	N/A	N/A	N/A	N/A	
	All	Main	Remote-Glycol	Type I	N/A	7,646	7,080	4.00	30.00	2.25	5.80	35%	20.00	
GHSS856RLB	All	Main	Remote-DX	Type I	24	10,152	9,400	4.00	30.00	N/A	N/A	N/A	N/A	
	All	Refrigerator	Remote-Glycol-Type I Env	Type I	N/A	10,152	9,400	4.00	25.00	7.00	8.00	35%	24.00	
GHSS1056RLB	All	Refrigerator	Remote-DX	Type I	20	13,392	12,400	4.00	30.00	N/A	N/A	N/A	N/A	
	All	Refrigerator	Remote-Glycol	Type I	N/A	13,392	12,400	4.00	30.00	4.50	7.70	35%	24.00	
GHSS1256RLB	All	Main	Remote-R744 TRANSCRITICAL-Type I Env	Type I	24	15,228	14,100	4.00	30.00	N/A	N/A	N/A	N/A	
	All	Main	Remote-DX-Type I Env	Type I	24	15,228	14,100	4.00	30.00	N/A	N/A	N/A	N/A	
	All	Main	Remote-Glycol-Type I Env	Type I	N/A	10,800	10,000	4.00	30.00	4.50	9.00	35%	20.00	

INTENDED ENVIRONMENT		
Type I - Designed to operate in ambient conditions of 75°F with 55% relative humidity unless noted otherwise under Env above.		
WARMEST AVERAGE PRODUCT TEMP & INTENDED USE OF ZONES		
Zone	Temp (°F)	Intended Use
1	40	Packaged refrigerated products

IMPORTANT NOTES
1) REMOTE REFRIGERATION NOTE: Condensing unit not included, floor drain required.
2) ELECTRICAL NOTE: If GFCI is required, a GFCI breaker MUST be used in lieu of a GFCI receptacle.
3) 45" minimum door entry clearance required (without shipping skid).
4) Units must be shimmed during installation to ensure the unit is level and plumb.

Technical Information

Fusion - GHSS 56"H Refrigerated Self-Service Case w/ Curved Profile

Structural Concepts®



DELIVERING FRESH. ALWAYS.™

REGULATORY	
All Models	Accordance with AHRI Std 1200 ETL Listed to UL 471 ETL Listed to CAN/CSA 22.2 No. 120 ETL Sanitation to NSF/ANSI 7



In Accordance with
AHRI Std 1200

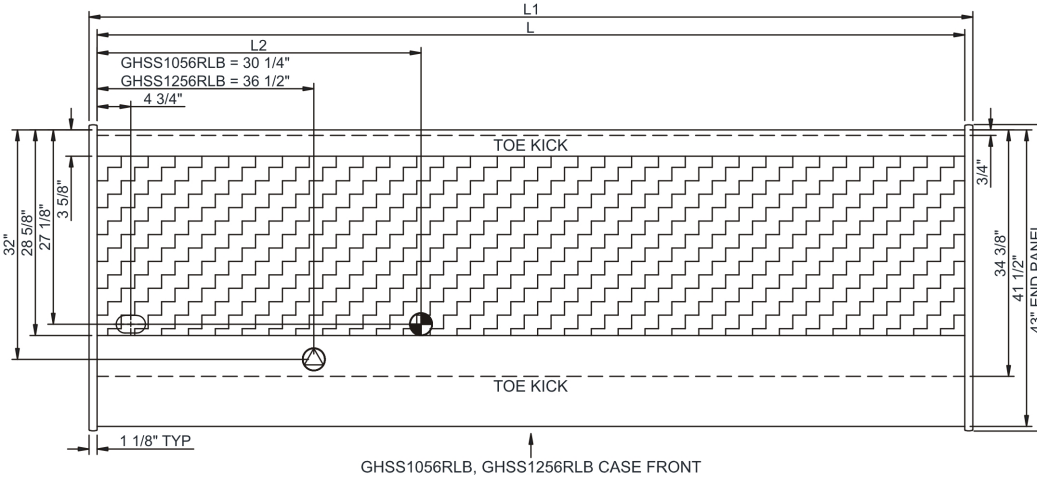
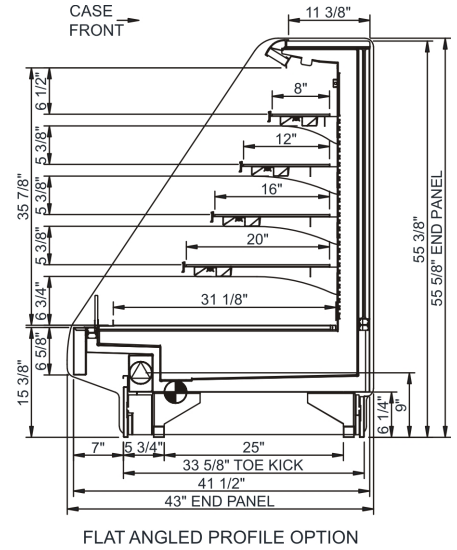
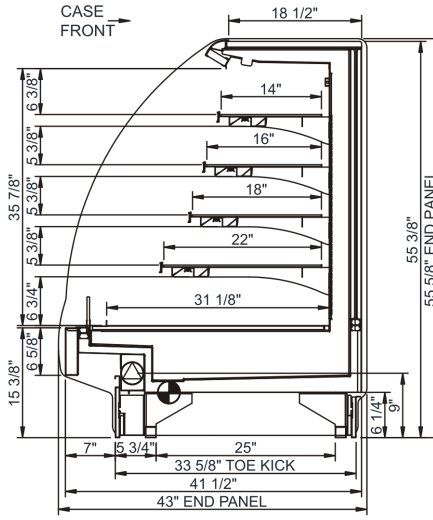
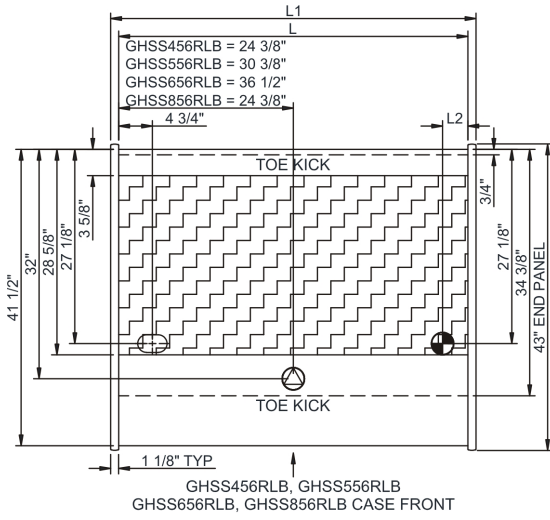
NOTE: ALL DIMENSIONS APPROXIMATE

 ELECTRICAL JUNCTION BOX
(SUPPLIED WITH 6" LEADS OR POWER CORD).
 LOCATION OF DRAIN TUBE FOR REMOTE REF.
ONLY (SUPPLIED WITH 3/4" OR 1 1/2" PVC TUBE).

 REFRIGERATION LINE CONNECTION.
 REMOTE FLOOR SINK & UTILITIES
ACCESS AREA.

 SELF-CONTAINED CASE SERVICE ACCESS AREA.
 DRY CASE SERVICE ACCESS AREA.

STANDARD HEADER



NOTE: ALL DIMENSIONS APPROXIMATE

ELECTRICAL JUNCTION BOX (SUPPLIED WITH 6" LEADS OR POWER CORD).
 LOCATION OF DRAIN TUBE FOR REMOTE REF. ONLY (SUPPLIED WITH 3/4" OR 1 1/2" PVC TUBE).

REFRIGERATION LINE CONNECTION.
 REMOTE FLOOR SINK & UTILITIES ACCESS AREA.

SELF-CONTAINED CASE SERVICE ACCESS AREA.
 DRY CASE SERVICE ACCESS AREA.