

Technical Information

Fusion - GHSSV 56"H Refrigerated Self-Service Case

Structural Concepts®

DELIVERING FRESH. ALWAYS.™

DIMENSIONS / SHIPPING

Model	L"	L1"	L2"	Est Wt (lbs)
GHSSV456RLB	48.750	51.000	3.500	650
GHSSV556RLB	60.625	62.875	3.500	875
GHSSV656RLB	73.125	75.375	3.500	1,075
GHSSV856RLB	97.500	99.750	3.500	1,375
GHSSV1256RLB	146.250	148.500	101.125	2,500

ELECTRICAL

Model	System Circuit Volts		Ph	Frq	Rated Load Amps	Min Cir Amps	Max OCP Amps	Watts	Wires	NEMA Plug	Amps Lights	Amps Fans	Amps Anti-Sweats	Amps Misc/Refrig/Heat	
GHSSV456RLB	Remote (DX)	Circuit #1	110-120	1	60	1.48	15	15	88	2+G	Leads Multiple	0.70	0.60	0.18	N/A
	Remote (R744 T)	Circuit #1	110-120	1	60	2.83	15	15	61	2+G	Leads Multiple	2.20	0.90	0.18	N/A
GHSSV556RLB	Remote (DX)	Circuit #1	110-120	1	60	2.62	15	15	218	2+G	Leads Multiple	1.40	0.93	0.29	N/A
	Remote (R744 T)	Circuit #1	110-120	1	60	3.29	15	15	149	2+G	Leads Multiple	2.10	0.90	0.29	N/A
GHSSV656RLB	Remote (DX)	Circuit #1	110-120	1	60	2.70	15	15	192	2+G	Leads Multiple	1.40	0.93	0.29	0.08
	Remote (GLYCOL)	Circuit #1	110-120	1	60	2.62	15	15	182	2+G	Leads Multiple	1.40	0.93	0.29	N/A
GHSSV856RLB	Remote (DX)-Type I Env	Circuit #1	110-120	1	60	3.66	15	15	210	2+G	Leads Multiple	2.10	1.20	0.36	N/A
	Remote (GLYCOL)-Type I Env	Circuit #1	110-120	1	60	3.75	15	15	162	2+G	Leads Multiple	2.10	1.20	0.40	0.05
GHSSV1256RLB	Remote (DX)-Type I Env	Circuit #1	110-120	1	60	4.45	15	15	315	2+G	Leads Multiple	2.10	1.80	0.55	N/A
	Remote (GLYCOL)-Type I Env	Circuit #1	110-120	1	60	5.21	15	15	432	2+G	Leads Multiple	2.80	1.86	0.55	N/A

REFRIGERATION

Model	Zone	Section	System	Envt	REMOTE REFRIGERATION					GLYCOL / R744 REFRIGERATION			
					SST (°F)	Conv. Rack BTUH	Para. Rack BTUH	Defrost Interval (Hrs)	Defrost Duration	Total GPM	Pressure Drop (psi)	Concent (%)	Liquid Temp (°F)
GHSSV456RLB	All	Main	Remote-DX	Type I	20	4,320	4,000	4.00	30.00	N/A	N/A	N/A	N/A
	All	Main	Remote-R744 TRANSCRITICAL	Type I	20	4,320	4,000	4.00	30.00	N/A	N/A	N/A	N/A
GHSSV556RLB	All	Main	Remote-DX	Type I	24	7,646	7,080	4.00	30.00	N/A	N/A	N/A	N/A
	All	Main	Remote-R744 TRANSCRITICAL	Type I	24	7,646	7,080	4.00	30.00	N/A	N/A	N/A	N/A
GHSSV656RLB	All	Main	Remote-DX	Type I	20	8,165	7,560	4.00	30.00	N/A	N/A	N/A	N/A
	All	Main	Remote-Glycol	Type I	N/A	8,165	7,560	4.00	35.00	2.50	6.00	35%	20.00
GHSSV856RLB	All	Main	Remote-DX-Type I Env	Type I	20	10,454	9,680	4.00	30.00	N/A	N/A	N/A	N/A
	All	Refrigerator	Remote-Glycol-Type I Env	Type I	N/A	10,454	9,680	4.00	45.00	2.90	8.40	35%	20.00
GHSSV1256RLB	All	Main	Remote-DX-Type I Env	Type I	20	14,515	13,440	4.00	30.00	N/A	N/A	N/A	N/A
	All	Main	Remote-Glycol-Type I Env	Type I	N/A	14,515	13,440	4.00	30.00	4.50	9.10	35%	20.00

INTENDED ENVIRONMENT

Type I - Designed to operate in ambient conditions of 75°F with 55% relative humidity unless noted otherwise under Envt above.

WARMEST AVERAGE PRODUCT TEMP & INTENDED USE OF ZONES

Zone	Temp (°F)	Intended Use
1	40	Packaged refrigerated products-Prechilled to Warmest Avg Prod Temp.

IMPORTANT NOTES

- 1) REMOTE REFRIGERATION NOTE: Condensing unit not included, floor drain required.
- 2) ELECTRICAL NOTE: If GFCI is required, a GFCI breaker MUST be used in lieu of a GFCI receptacle.
- 3) 45" minimum door entry clearance required (without shipping skid).
- 4) Units must be shimmed during installation to ensure the unit is level and plumb.

REGULATORY

All Models	Accordance with AHRI Std 1200 ETL Listed to UL 471 ETL Listed to CAN/CSA 22.2 No. 120 ETL Sanitation to NSF/ANSI 7
------------	---



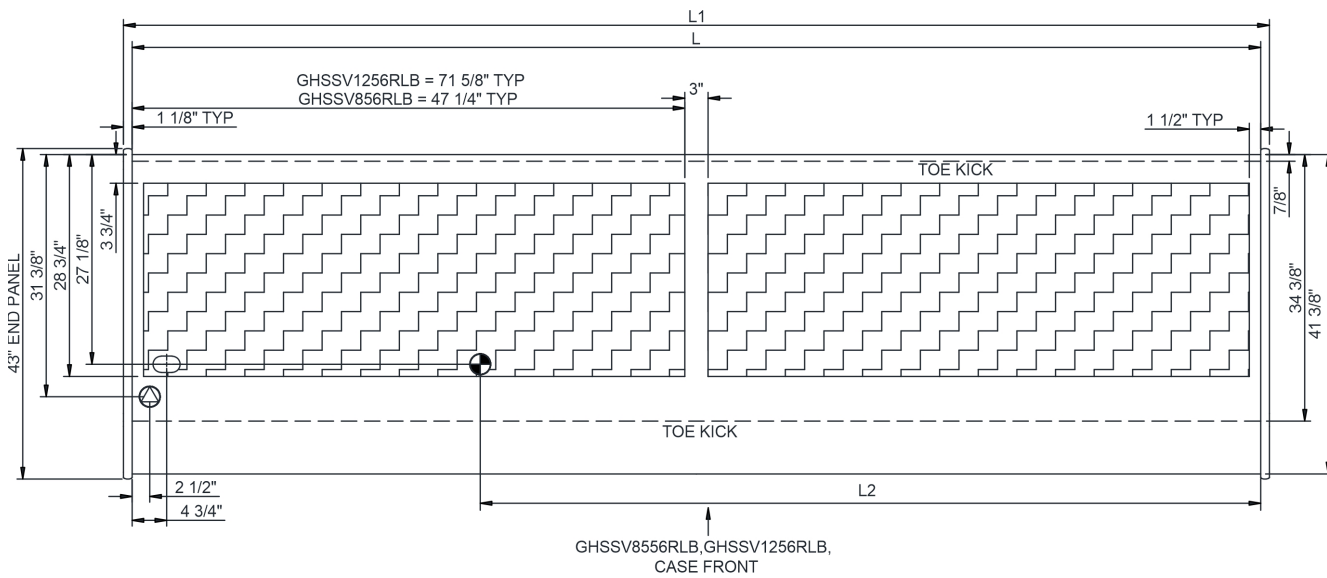
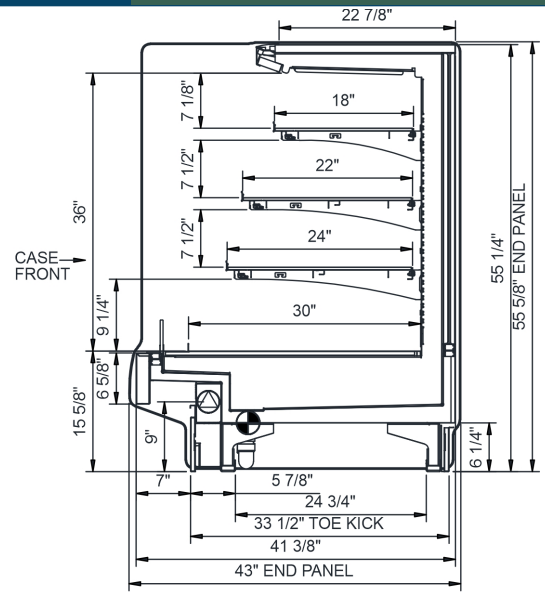
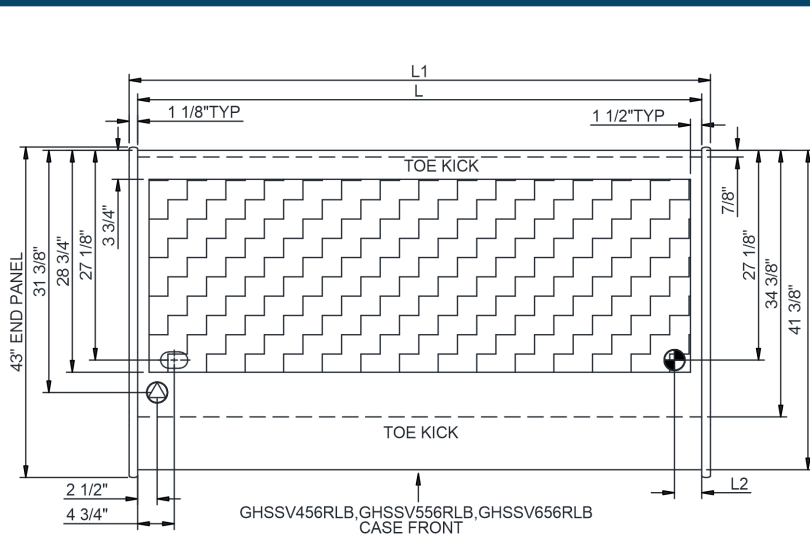
In Accordance with
AHRI Std 1200

Technical Information

Fusion - GHSSV 56"H Refrigerated Self-Service Case

Structural Concepts®

DELIVERING FRESH. ALWAYS.™



NOTE: ALL DIMENSIONS APPROXIMATE

⊕ ELECTRICAL JUNCTION BOX (SUPPLIED WITH 6" LEADS OR POWER CORD).
 ● LOCATION OF DRAIN TUBE FOR REMOTE REF. ONLY (SUPPLIED WITH 3/4" OR 1 1/2" PVC TUBE).

⊕ REFRIGERATION LINE CONNECTION.
 □ REMOTE FLOOR SINK & UTILITIES ACCESS AREA.

⊕ SELF-CONTAINED CASE SERVICE ACCESS AREA.
 ⊕ DRY CASE SERVICE ACCESS AREA.