

Technical Information

Fusion - GLDSS 43"H Refrigerated Self-Service Case

Structural Concepts®

DELIVERING FRESH. ALWAYS.™

DIMENSIONS / SHIPPING				
Model	L"	L1"	L2"	Est Wt (lbs)
GLDSS443R	48.750	51.000	3.500	700
GLDSS543R	60.625	62.875	3.500	800
GLDSS643R	73.125	75.375	3.500	900
GLDSS843R	97.500	99.750	94.000	1,500
GLDSS1043R	121.125	123.375	40.500	1,700
GLDSS1243R	146.250	148.500	45.250	1,700

ELECTRICAL															
Model	System Circuit Volts			Ph	Frq	Rated Load Amps	Min Cir Amps	Max OCP Amps	Watts	Wires	NEMA Plug	Amps Lights	Amps Fans	Amps Anti-Sweats	Amps Misc/Refrig/Heat
GLDSS443R	Remote (DX)	Circuit #1	110-120	1	60	0.48	15	15	36	2+G	Leads Multiple		0.30	0.18	N/A
	Remote (GLYCOL)	Circuit #1	110-120	1	60	0.48	15	15	36	2+G	Leads Multiple		0.30	0.18	N/A
GLDSS543R	Remote (DX)	Circuit #1	110-120	1	60	1.07	15	15	85	2+G	Leads Multiple		0.60	0.47	N/A
	Remote (GLYCOL)	Circuit #1	110-120	1	60	1.14	15	15	93	2+G	Leads Single		0.60	0.54	N/A
GLDSS843R	Remote (DX)	Circuit #1	110-120	1	60	0.97	15	15	72	2+G	Leads Multiple		0.60	0.37	N/A
	Remote (GLYCOL)	Circuit #1	110-120	1	60	1.67	15	15	113	2+G	Leads Multiple		1.20	0.47	N/A
GLDSS1043R	Remote (DX)	Circuit #1	110-120	1	60	1.45	15	15	108	2+G	Leads Multiple		0.90	0.55	N/A
	Remote (GLYCOL)	Circuit #1	110-120	1	60	1.45	15	15	108	2+G	Leads Multiple		0.90	0.55	N/A

REFRIGERATION													
Model	Zone	Section	System	Envt	REMOTE REFRIGERATION				GLYCOL / R744 REFRIGERATION				
					SST (°F)	Conv. Rack BTUH	Para. Rack BTUH	Defrost Interval (Hrs)	Defrost Duration	Total GPM	Pressure Drop (psi)	Concent (%)	Liquid Temp (°F)
GLDSS443R	All	Main	Remote-DX	Type I	20	3,283	3,040	4.00	30.00	N/A	N/A	N/A	N/A
	All	Main	Remote-Glycol	Type I	N/A	3,283	3,040	4.00	45.00	1.50	7.40	35%	20.00
GLDSS543R	All	Main	Remote-DX	Type I	20	4,061	3,760	4.00	30.00	N/A	N/A	N/A	N/A
	All	Main	Remote-DX	Type I	20	4,838	4,480	4.00	30.00	N/A	N/A	N/A	N/A
GLDSS643R	All	Main	Remote-DX	Type I	20	4,838	4,480	4.00	25.00	2.00	3.01	35%	20.00
	All	Main	Remote-Glycol	Type I	N/A	4,838	4,480	4.00	25.00	2.00	3.01	35%	20.00
GLDSS843R	All	Main	Remote-DX	Type I	20	6,480	6,000	4.00	30.00	N/A	N/A	N/A	N/A
GLDSS1043R	All	Main	Remote-DX	Type I	20	8,122	7,520	4.00	30.00	N/A	N/A	N/A	N/A
	All	Main	Remote-Glycol	Type I	N/A	8,122	7,520	4.00	30.00	2.50	3.50	35%	20.00
GLDSS1243R	All	Main	Remote-DX	Type I	24	9,613	8,901	4.00	30.00	N/A	N/A	N/A	N/A
	All	Main	Remote-Glycol	Type I	N/A	9,613	8,901	4.00	30.00	4.50	9.30	35%	20.00

INTENDED ENVIRONMENT		
Type I - Designed to operate in ambient conditions of 75°F with 55% relative humidity unless noted otherwise under Envt above.		
WARMEST AVERAGE PRODUCT TEMP & INTENDED USE OF ZONES		
Zone	Temp (°F)	Intended Use
1	40	Packaged refrigerated products-Prechilled to Warmest Avg Prod Temp.

IMPORTANT NOTES
1) REMOTE REFRIGERATION NOTE: Condensing unit not included, floor drain required.
2) ELECTRICAL NOTE: If GFCI is required, a GFCI breaker MUST be used in lieu of a GFCI receptacle.
3) 50" minimum door entry clearance required (without shipping skid).
4) Units must be shimmed during installation to ensure the unit is level and plumb.

REGULATORY	
All Models	Accordance with AHRI Std 1200 ETL Listed to UL 471 ETL Listed to CAN/CSA 22.2 No. 120 ETL Sanitation to NSF/ANSI 7



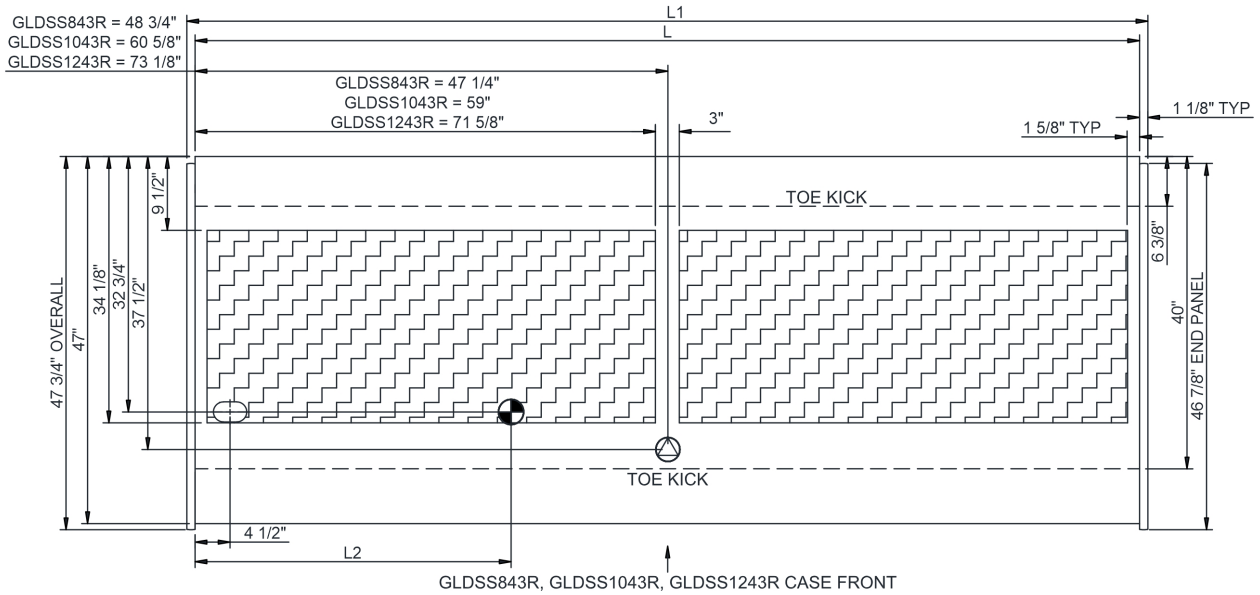
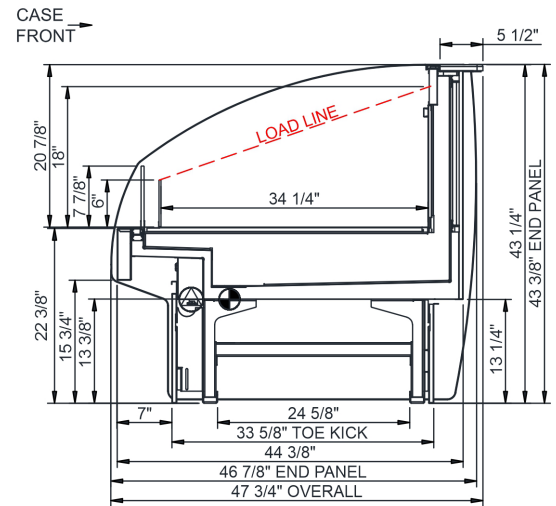
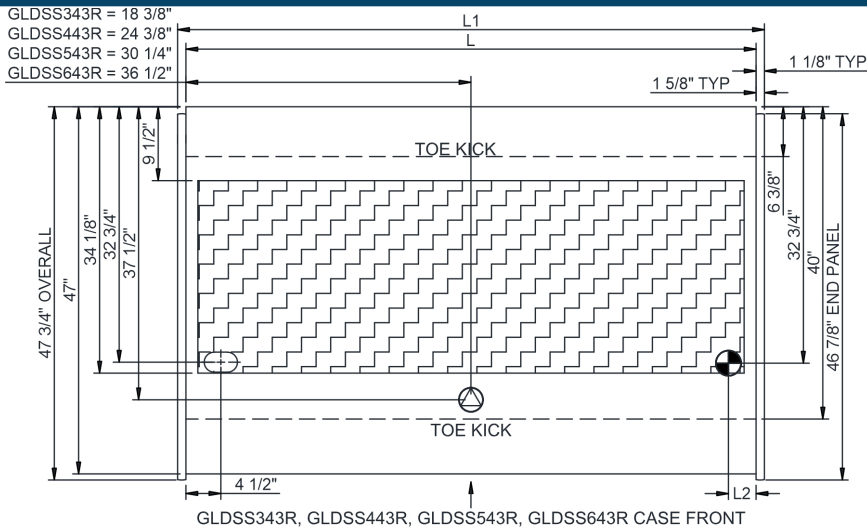
In Accordance with
AHRI Std 1200

Technical Information



Fusion - GLDSS 43"H Refrigerated Self-Service Case

Structural Concepts®

DELIVERING FRESH. ALWAYS.™



NOTE: ALL DIMENSIONS APPROXIMATE

-  ELECTRICAL JUNCTION BOX (SUPPLIED WITH 6" LEADS OR POWER CORD).
-  LOCATION OF DRAIN TUBE FOR REMOTE REF. ONLY (SUPPLIED WITH 3/4" OR 1 1/2" PVC TUBE).

-  REFRIGERATION LINE CONNECTION.
-  REMOTE FLOOR SINK & UTILITIES ACCESS AREA.

-  SELF-CONTAINED CASE SERVICE ACCESS AREA.
-  DRY CASE SERVICE ACCESS AREA.