

# Technical Information

Impulse - Non-Refrigerated Service/Self-Service Countertop Case - Vertical Front

Structural Concepts®

DELIVERING FRESH. ALWAYS.™

DIMENSIONS / SHIPPING				
Model	L"	L1"	L2"	Est Wt (lbs)
CGSV3422	N/A	34.000	0.000	350
CGSV4522	N/A	45.000	0.000	375
CGSV5722	N/A	57.000	0.000	400
CGSV6922	N/A	69.000	0.000	425

ELECTRICAL															
Model	System Circuit Volts			Ph	Frq	Rated Load Amps	Min Cir Amps	Max OCP Amps	Watts	Wires	NEMA Plug	Amps Lights	Amps Fans	Amps Anti-Sweats	Amps Misc/Refrig/Heat
CGSV3422	Ambient/Lights (N/A)	Circuit #1	110-120	1	60	0.70	15	15	11	2+G	5-15P	0.70	N/A	N/A	N/A
CGSV4522	Ambient/Lights (N/A)	Circuit #1	110-120	1	60	0.70	15	15	17	2+G	5-15P	0.70	N/A	N/A	N/A
CGSV5722	Ambient/Lights (N/A)	Circuit #1	110-120	1	60	0.70	15	15	21	2+G	5-15P	0.70	N/A	N/A	N/A
CGSV6922	Ambient/Lights (N/A)	Circuit #1	110-120	1	60	0.70	15	15	26	2+G	5-15P	0.70	N/A	N/A	N/A

REFRIGERATION														
Model	Zone	Section	System	Envt	REMOTE REFRIGERATION					GLYCOL / R744 REFRIGERATION				
					SST (°F)	Conv. Rack BTUH	Para. Rack BTUH	Defrost Interval (Hrs)	Defrost Duration	Total GPM	Pressure Drop (psi)	Concent (%)	Liquid Temp (°F)	
CGSV3422	All	Ambient	Ambient/Lights-N/A	Type II	N/A	N/A	N/A	N/A	N/A	N/A	N/A	N/A	N/A	N/A
CGSV4522	All	Ambient	Ambient/Lights-N/A	Type I	N/A	N/A	N/A	N/A	N/A	N/A	N/A	N/A	N/A	N/A
CGSV5722	All	Ambient	Ambient/Lights-N/A	Type II	N/A	N/A	N/A	N/A	N/A	N/A	N/A	N/A	N/A	N/A
CGSV6922	All	Ambient	Ambient/Lights-N/A	Type II	N/A	N/A	N/A	N/A	N/A	N/A	N/A	N/A	N/A	N/A

INTENDED ENVIRONMENT
Type I - Designed to operate in ambient conditions of 75°F with 55% relative humidity unless noted otherwise under Envt above.

IMPORTANT NOTES
1) Electrical Note: If GFCI is required, a GFCI breaker Must be used in lieu of a GFCI receptacle.

WARMEST AVERAGE PRODUCT TEMP & INTENDED USE OF ZONES		
Zone	Temp (°F)	Intended Use
1	Ambient	Packaged non-refrigerated products

REGULATORY	
All Models	ETL Listed to UL 65 ETL Sanitation to NSF/ANSI 2

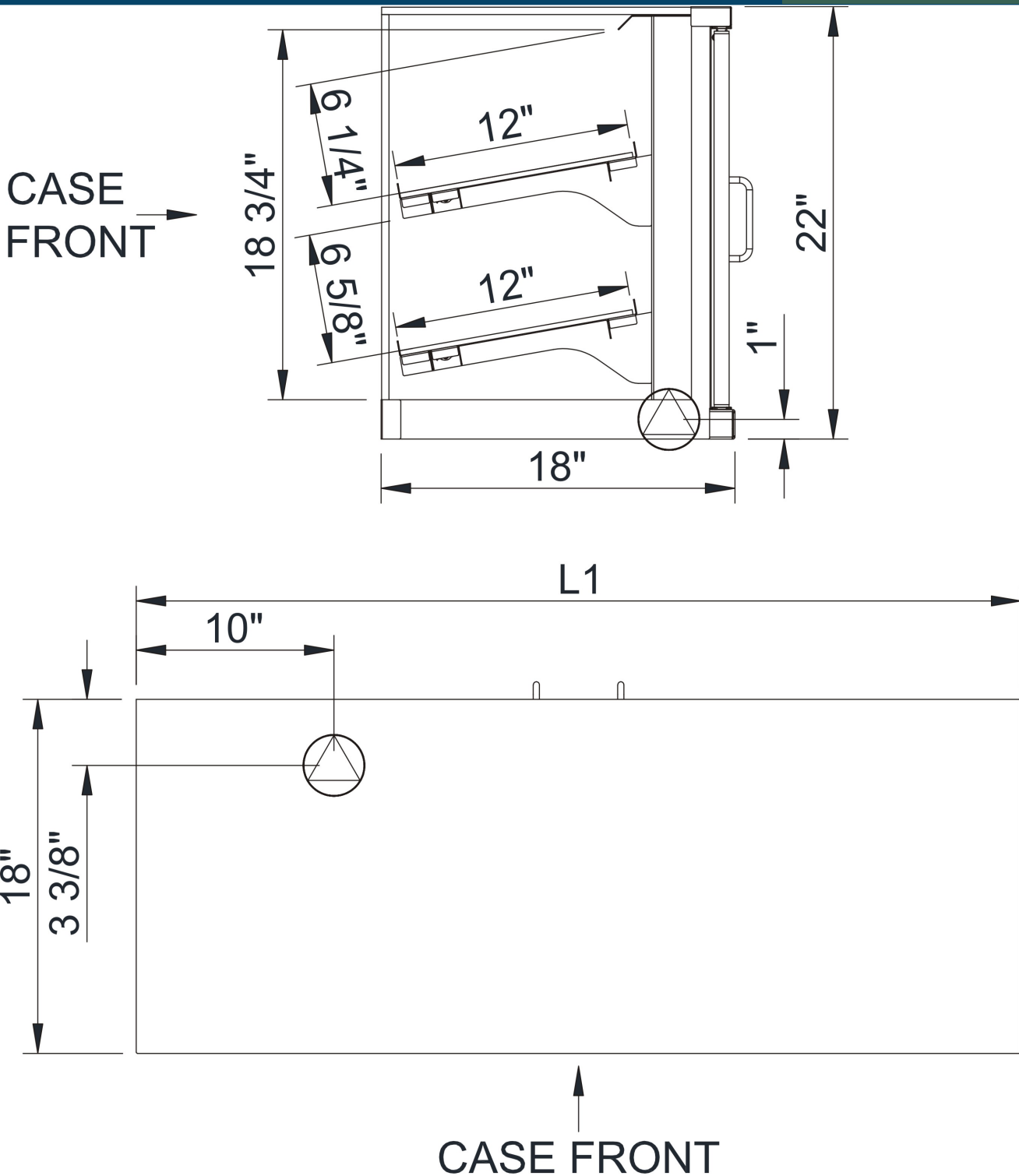


# Technical Information

Impulse - Non-Refrigerated Service/Self-Service Countertop Case - Vertical Front

Structural Concepts®

DELIVERING FRESH. ALWAYS.™



NOTE: ALL DIMENSIONS APPROXIMATE

⊗ ELECTRICAL JUNCTION BOX (SUPPLIED WITH 6" LEADS OR POWER CORD).  
 ● LOCATION OF DRAIN TUBE FOR REMOTE REF. ONLY (SUPPLIED WITH 3/4" OR 1 1/2" PVC TUBE).

⊕ REFRIGERATION LINE CONNECTION.  
 □ REMOTE FLOOR SINK & UTILITIES ACCESS AREA.

▨ SELF-CONTAINED CASE SERVICE ACCESS AREA.  
 ⊠ DRY CASE SERVICE ACCESS AREA.