

# Technical Information

Oasis - FSIB Refrigerated Self-Service Produce Case

Structural Concepts®

DELIVERING FRESH. ALWAYS.™

DIMENSIONS / SHIPPING				
Model	L"	L1"	L2"	Est Wt (lbs)
FSIB4R	48.625	50.875	24.375	N/A
FSIB8R	95.875	98.125	37.500	N/A

ELECTRICAL															
Model	System Circuit Volts			Ph	Frq	Rated Load Amps	Min Cir Amps	Max OCP Amps	Watts	Wires	NEMA Plug	Amps Lights	Amps Fans	Amps Anti-Sweats	Amps Misc/Refrig/Heat
FSIB4R	Remote (R404A)	Circuit #1	110-120	1	60	0.80	15	15	64	2+G	Leads Single		0.62	0.18	N/A
FSIB8R	Remote (R404A)	Circuit #1	110-120	1	60	1.60	15	15	128	2+G	Leads Single		1.24	0.36	N/A

REFRIGERATION													
Model	Zone	Section	System	Envt	REMOTE REFRIGERATION					GLYCOL / R744 REFRIGERATION			
					SST (°F)	Conv. Rack BTUH	Para. Rack BTUH	Defrost Interval (Hrs)	Defrost Duration	Total GPM	Pressure Drop (psi)	Concent (%)	Liquid Temp (°F)
FSIB4R	All	Main	Remote-R404A	Type I	20	3,110	2,880	4.00	30.00	N/A	N/A	N/A	N/A
FSIB8R	All	Main	Remote-R404A	Type I	20	8,078	7,480	4.00	30.00	N/A	N/A	N/A	N/A

INTENDED ENVIRONMENT		
Type I - Designed to operate in ambient conditions of 75°F with 55% relative humidity unless noted otherwise under Envt above.		
WARMEST AVERAGE PRODUCT TEMP & INTENDED USE OF ZONES		
Zone	Temp (°F)	Intended Use
1	40	Packaged / unpackaged refrigerated products

IMPORTANT NOTES
1) REMOTE REFRIGERATION NOTE: Condensing unit not included, floor drain required.
2) ELECTRICAL NOTE: If GFCI is required, a GFCI breaker MUST be used in lieu of a GFCI receptacle.
3) 60" Minimum door entry clearance required (Without shipping skid) for Remote unit & 64" for Self-Contained.
4) Remote units are supplied with levelers which must be adjusted during installation to ensure the unit is level and plumb.

REGULATORY	
All Models	Accordance with AHRI Std 1200 ETL Listed to UL 471 ETL Listed to CAN/CSA 22.2 No. 120 ETL Sanitation to NSF/ANSI 7



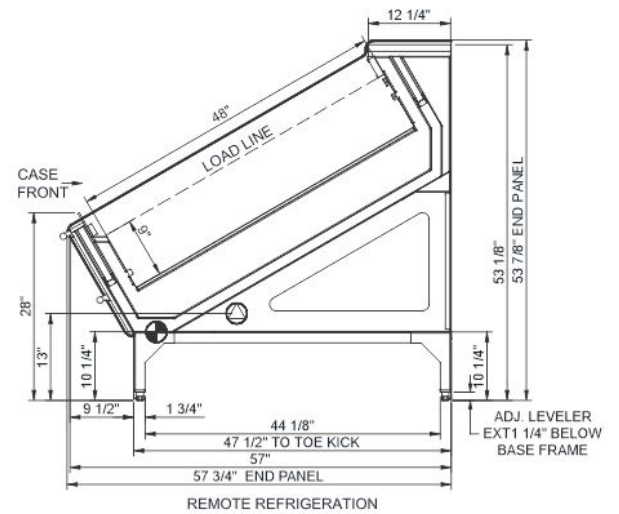
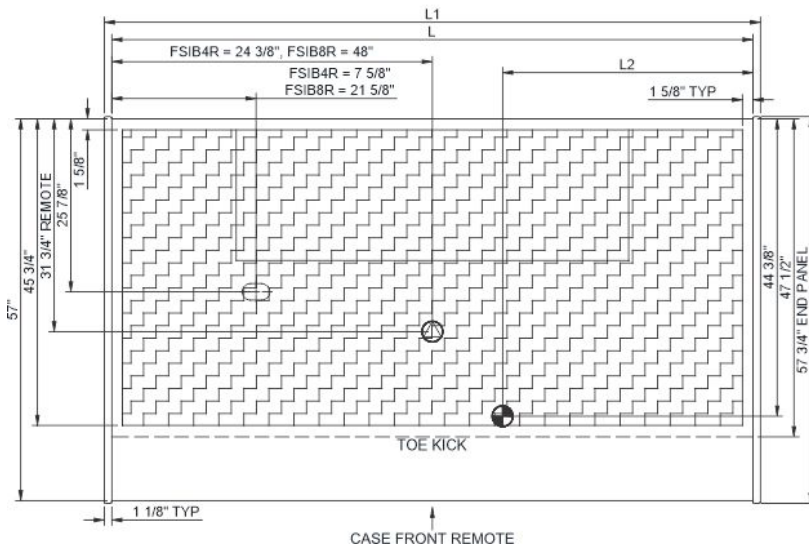
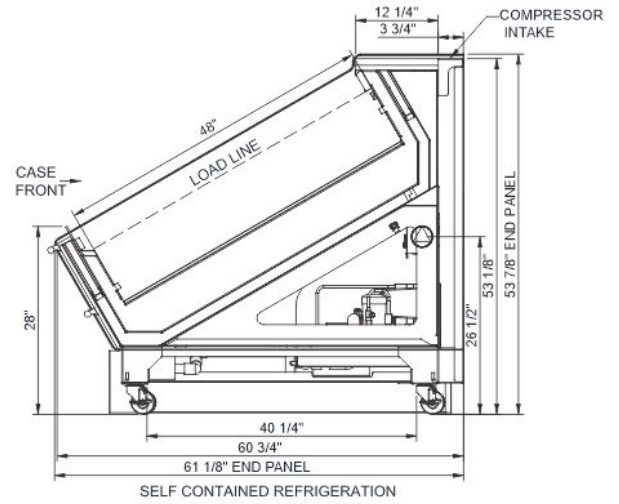
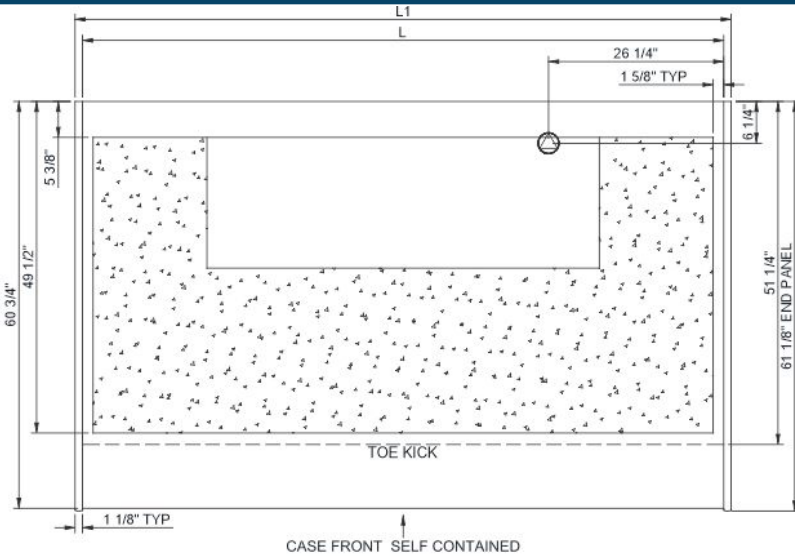
In Accordance with  
**AHRI Std 1200**

# Technical Information

Oasis - FSIB Refrigerated Self-Service Produce Case

Structural Concepts®

DELIVERING FRESH. ALWAYS.™



NOTE: ALL DIMENSIONS APPROXIMATE

⊗ ELECTRICAL JUNCTION BOX (SUPPLIED WITH 6\"/>

⊕ REFRIGERATION LINE CONNECTION.  
 ◉ REMOTE FLOOR SINK & UTILITIES ACCESS AREA.

▨ SELF-CONTAINED CASE SERVICE ACCESS AREA.  
 ▩ DRY CASE SERVICE ACCESS AREA.