

Technical Information

Oasis - Refrigerated Self-Service Counter Height Case 32-3/4"D

Structural Concepts®

DELIVERING FRESH. ALWAYS.™

DIMENSIONS / SHIPPING				
Model	L"	L1"	L2"	Est Wt (lbs)
C33R-CH	33.125	35.625	6.250	650
C43R-CH	45.125	47.625	6.250	700
C53R-CH	57.125	59.625	6.250	750
C63R-CH	69.125	71.625	6.250	850

ELECTRICAL																
Model	System Circuit Volts				Ph	Frq	Rated Load Amps	Min Cir Amps	Max OCP Amps	Watts	Wires	NEMA Plug	Amps Lights	Amps Fans	Amps Anti-Sweats	Amps Misc/Refrig/Heat
C33R-CH	Remote (DX)	Circuit #1	110-120	1	60	1.77	15	15	52	2+G	Leads Single	1.12	0.45	0.12	0.08	
	Remote (DX)	Circuit #1	110-120	1	60	1.77	15	15	52	2+G	Leads Single	1.12	0.45	0.12	0.08	
	Self-Contained (R290)	Circuit #1	110-120	1	60	10.85	15	15	963	2+G	5-15P or L5-15P	1.12	0.45	4.08	5.20	
C43R-CH	Remote (DX)	Circuit #1	110-120	1	60	2.27	15	15	80	2+G	Leads Single	1.12	0.90	0.17	0.08	
	Remote (DX)	Circuit #1	110-120	1	60	2.27	15	15	80	2+G	Leads Single	1.12	0.90	0.17	0.08	
	Self-Contained (R290)	Circuit #1	110-120	1	60	11.35	15	15	991	2+G	5-15P or L5-15P	1.12	0.90	4.13	5.20	
C53R-CH	Remote (DX)	Circuit #1	110-120	1	60	2.32	15	15	88	2+G	Leads Single	1.12	0.90	0.22	0.08	
	Remote (DX)	Circuit #1	110-120	1	60	2.32	15	15	88	2+G	Leads Single	1.12	0.90	0.22	0.08	
	Self-Contained (R290)	Circuit #1	110-120	1	60	15.70	20	20	1,527	2+G	5-20P or L5-20P	1.12	0.90	4.18	9.50	
C63R-CH	Remote (DX)	Circuit #1	110-120	1	60	2.36	15	15	96	2+G	Leads Single	1.12	0.90	0.26	0.08	
	Remote (DX)	Circuit #1	110-120	1	60	2.36	15	15	96	2+G	Leads Single	1.12	0.90	0.26	0.08	
	Self-Contained (R290)	Circuit #1	110-120	1	60	15.74	20	20	1,535	2+G	5-20P or L5-20P	1.12	0.90	4.22	9.50	

REFRIGERATION														
Model	Zone	Section	System	Env't	REMOTE REFRIGERATION					GLYCOL / R744 REFRIGERATION				
					SST (°F)	Conv. Rack BTUH	Para. Rack BTUH	Defrost Interval (Hrs)	Defrost Duration	Total GPM	Pressure Drop (psi)	Concent (%)	Liquid Temp (°F)	
C33R-CH	All	Refrigerator	Self-Contained-R290	Type II	N/A	N/A	N/A	N/A	N/A	N/A	N/A	N/A	N/A	N/A
	All	Refrigerator	Remote-DX	Type II	24	1,049	971	4.00	30.00	N/A	N/A	N/A	N/A	
	All	Refrigerator	Remote-DX	Type I	24	889	823	4.00	30.00	N/A	N/A	N/A	N/A	
C43R-CH	All	Refrigerator	Self-Contained-R290	Type II	N/A	N/A	N/A	N/A	N/A	N/A	N/A	N/A	N/A	
	All	Refrigerator	Remote-DX	Type II	24	1,401	1,297	4.00	30.00	N/A	N/A	N/A	N/A	
	All	Refrigerator	Remote-DX	Type I	24	1,179	1,092	4.00	30.00	N/A	N/A	N/A	N/A	
C53R-CH	All	Refrigerator	Self-Contained-R290	Type II	N/A	N/A	N/A	N/A	N/A	N/A	N/A	N/A	N/A	
	All	Refrigerator	Remote-DX	Type II	24	1,762	1,631	4.00	30.00	N/A	N/A	N/A	N/A	
	All	Refrigerator	Remote-DX	Type I	24	1,489	1,378	4.00	30.00	N/A	N/A	N/A	N/A	
C63R-CH	All	Refrigerator	Self-Contained-R290	Type II	N/A	N/A	N/A	N/A	N/A	N/A	N/A	N/A	N/A	
	All	Refrigerator	Remote-DX	Type II	24	2,096	1,941	4.00	30.00	N/A	N/A	N/A	N/A	
	All	Refrigerator	Remote-DX	Type I	24	1,773	1,642	4.00	30.00	N/A	N/A	N/A	N/A	

INTENDED ENVIRONMENT		
Type II - Designed to operate in ambient conditions of 80°F and 55% relative humidity unless noted otherwise under Env't above.		
WARMEST AVERAGE PRODUCT TEMP & INTENDED USE OF ZONES		
Zone	Temp (°F)	Intended Use
1	40	Packaged refrigerated products-Prechilled to Warmest Avg Prod Temp.

IMPORTANT NOTES
1) REMOTE REFRIGERATION NOTE: Condensing unit not included, floor drain required.
2) Performance issues (product temperatures, water on floor, etc.) caused by adverse conditions are not covered by warranty.
3) Levelers must be adjusted during installation to ensure unit is level and plumb.
4) Keep unit at least 15' from exterior doors, overhead HVAC vents, or any air curtain disruption.
5) Do not expose unit to direct sunlight or any heat source (ovens, fryers, etc.).
6) Front access compressor air intake at lower front, discharge from lower rear. Lower panels cannot be blocked. Wall spacers required for proper air flow. Rear access reverses air flow direction.
7) Front access increases case depth to 34-1/4".
8) If GFCI is required, a GFCI breaker MUST be used in lieu of a GFCI receptacle.

Technical Information

Oasis - Refrigerated Self-Service Counter Height Case 32-3/4"D

Structural Concepts®



DELIVERING FRESH. ALWAYS.™

REGULATORY	
All Models	Accordance with AHRI Std 1200 ETL Listed to UL 471 ETL Listed to CAN/CSA 22.2 No. 120 ETL Sanitation to NSF/ANSI 7



In Accordance with
AHRI Std 1200

NOTE: ALL DIMENSIONS APPROXIMATE

 ELECTRICAL JUNCTION BOX
(SUPPLIED WITH 6" LEADS OR POWER CORD).
 LOCATION OF DRAIN TUBE FOR REMOTE REF.
ONLY (SUPPLIED WITH 3/4" OR 1 1/2" PVC TUBE).

 REFRIGERATION LINE CONNECTION.
 REMOTE FLOOR SINK & UTILITIES
ACCESS AREA.

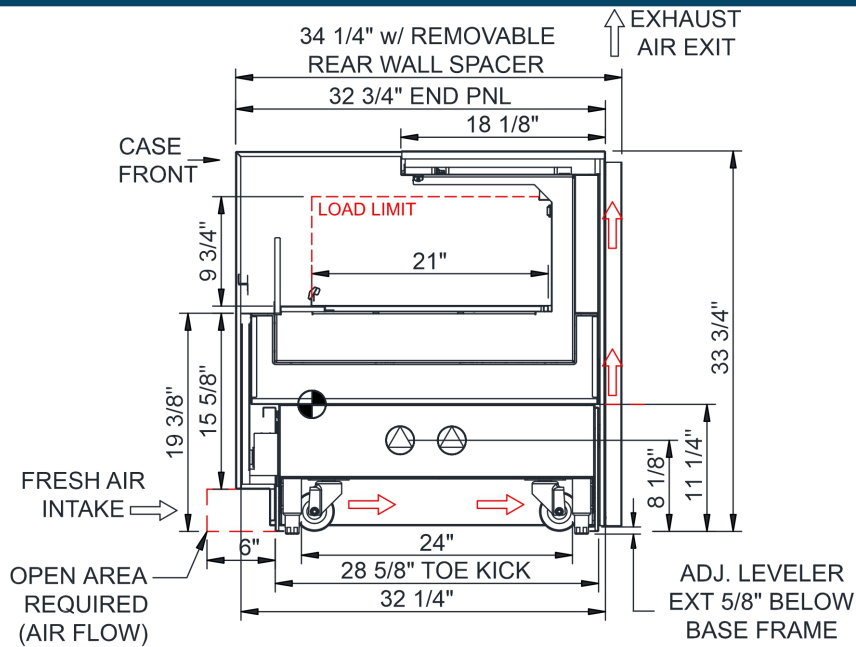
 SELF-CONTAINED CASE SERVICE ACCESS AREA.
 DRY CASE SERVICE ACCESS AREA.

Technical Information

Oasis - Refrigerated Self-Service Counter Height Case 32-3/4"D

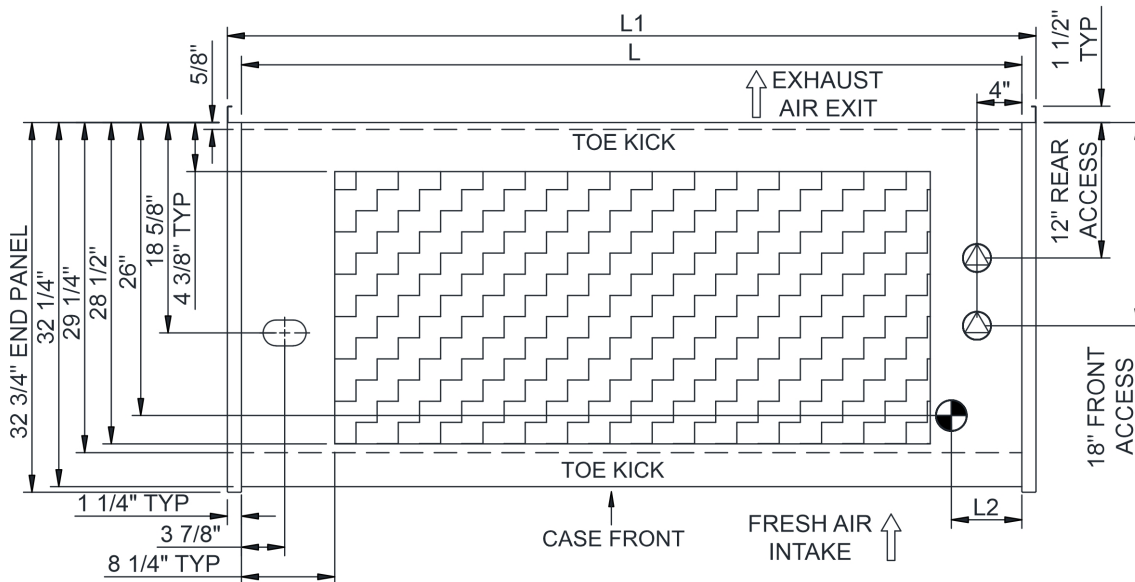
Structural Concepts®

DELIVERING FRESH. ALWAYS.™



NOTES:

1. SELF-CONTAINED ACCESS ONLY BY PULLING OUT CONDENSER DRAWER
2. COMPRESSOR REAR INTAKE, FRONT DISCHARGE AT TOE KICK. REAR & FRONT PANELS CANNOT BE BLOCKED. (INTAKE/DISCHARGE REVERSED WHEN FRONT ACCESS)
3. REAR SPACERS REQUIRED WITH FRONT ACCESS REFRIGERATION



NOTE: ALL DIMENSIONS APPROXIMATE

- | | | |
|--|--|---|
|  ELECTRICAL JUNCTION BOX (SUPPLIED WITH 6" LEADS OR POWER CORD). |  REFRIGERATION LINE CONNECTION. |  SELF-CONTAINED CASE SERVICE ACCESS AREA. |
|  LOCATION OF DRAIN TUBE FOR REMOTE REF. ONLY (SUPPLIED WITH 3/4" OR 1 1/2" PVC TUBE). |  REMOTE FLOOR SINK & UTILITIES ACCESS AREA. |  DRY CASE SERVICE ACCESS AREA. |