

Technical Information

Reveal® - Non-Refrigerated Self-Service Case

Structural Concepts®

DELIVERING FRESH. ALWAYS.™

DIMENSIONS / SHIPPING				
Model	L"	L1"	L2"	Est Wt (lbs)
NR3633DSSV	N/A	35.750	0.000	500
NR4833DSSV	N/A	47.750	0.000	600

ELECTRICAL															
Model	System Circuit Volts			Ph	Frq	Rated Load Amps	Min Cir Amps	Max OCP Amps	Watts	Wires	NEMA Plug	Amps Lights	Amps Fans	Amps Anti-Sweats	Amps Misc/Refrig/Heat
NR3633DSSV	Ambient/Lights (N/A)	Circuit #1	110-120	1	60	0.70	15	15	4	2+G	5-15P or L5-15P	0.70	N/A	N/A	N/A
NR4833DSSV	Ambient/Lights (N/A)	Circuit #1	110-120	1	60	0.70	15	15	5	2+G	5-15P or L5-15P	0.70	N/A	N/A	N/A

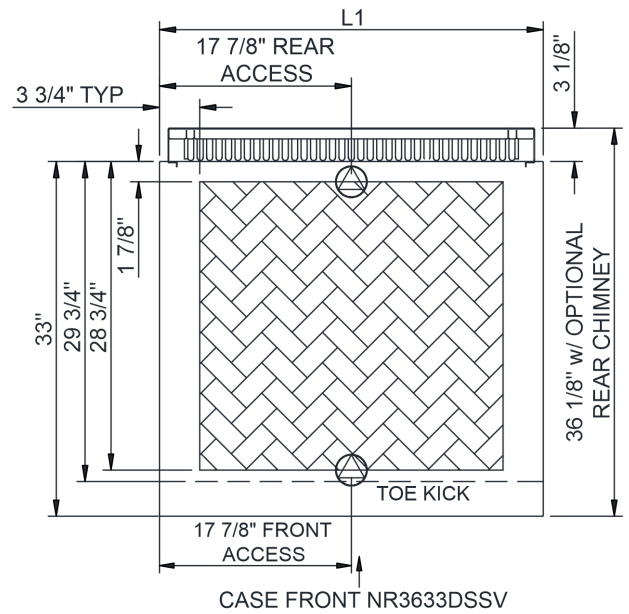
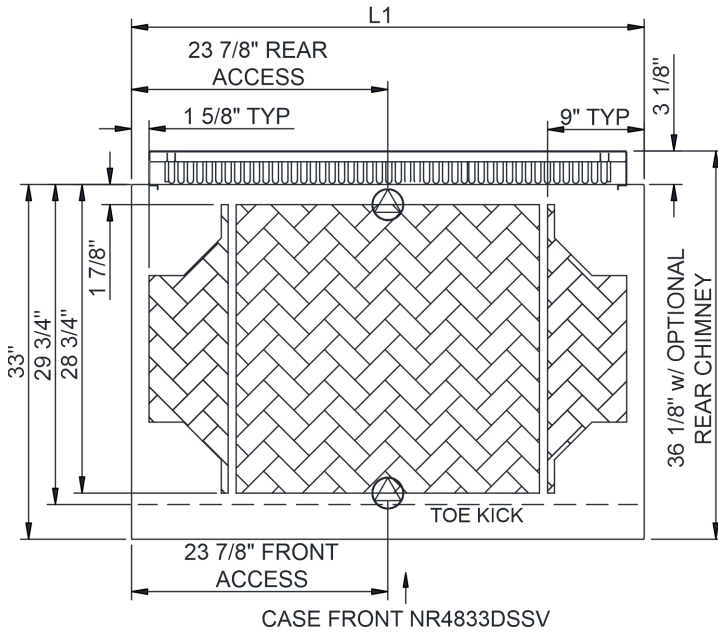
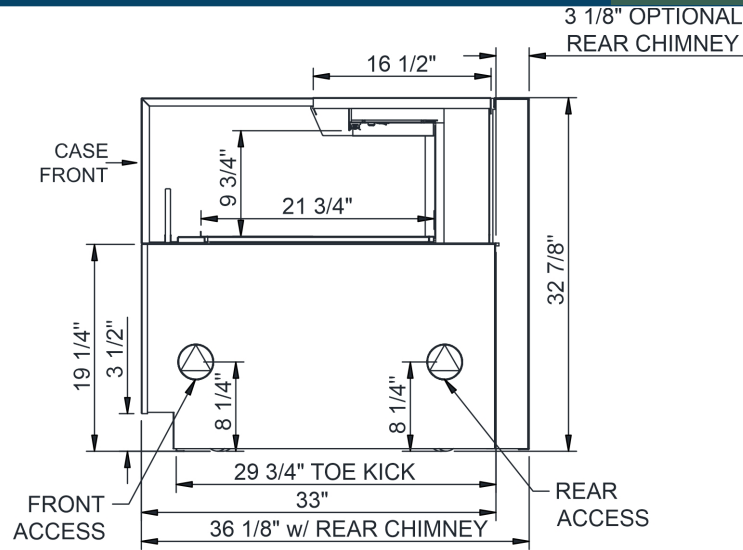
REFRIGERATION														
Model	Zone	Section	System	Envt	REMOTE REFRIGERATION					GLYCOL / R744 REFRIGERATION				
					SST (°F)	Conv. Rack BTUH	Para. Rack BTUH	Defrost Interval (Hrs)	Defrost Duration	Total GPM	Pressure Drop (psi)	Concent (%)	Liquid Temp (°F)	
NR3633DSSV	All	Ambient	Ambient/Lights-N/A	Type II	N/A	N/A	N/A	N/A	N/A	N/A	N/A	N/A	N/A	N/A
NR4833DSSV	All	Ambient	Ambient/Lights-N/A	Type II	N/A	N/A	N/A	N/A	N/A	N/A	N/A	N/A	N/A	N/A

INTENDED ENVIRONMENT		
Type I - Designed to operate in ambient conditions of 75°F with 55% relative humidity unless noted otherwise under Envt above.		
WARMEST AVERAGE PRODUCT TEMP & INTENDED USE OF ZONES		
Zone	Temp (°F)	Intended Use
1	Ambient	Packaged non-refrigerated products

IMPORTANT NOTES
1) ELECTRICAL NOTE: If GFCI is required, a GFCI breaker MUST be used in lieu of a GFCI receptacle
2) Glass warranty only applicable to first point of delivery.

REGULATORY	
All Models	ETL Listed to UL 65 ETL Sanitation to NSF/ANSI 2





NOTE: ALL DIMENSIONS APPROXIMATE

⊗ ELECTRICAL JUNCTION BOX (SUPPLIED WITH 6" LEADS OR POWER CORD).
 ⊙ LOCATION OF DRAIN TUBE FOR REMOTE REF. ONLY (SUPPLIED WITH 3/4" OR 1 1/2" PVC TUBE).

⊕ REFRIGERATION LINE CONNECTION.
 □ REMOTE FLOOR SINK & UTILITIES ACCESS AREA.

▨ SELF-CONTAINED CASE SERVICE ACCESS AREA.
 ⊞ DRY CASE SERVICE ACCESS AREA.