

- **NR3633DSSV** 35-3/4"L x 33"D x 32-7/8"H
- **NR4833DSSV** 47-3/4"L x 33"D x 32-7/8"H

Included

- NOTE: Glass warranty only applicable to first point of delivery
- LED top light
- One piece formed ABS plastic tub
- One year parts & labor warranty



NR4833DSSV

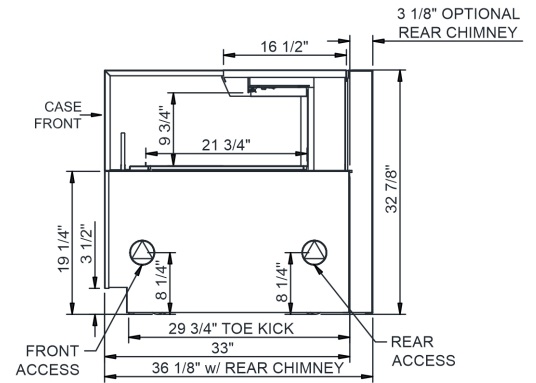
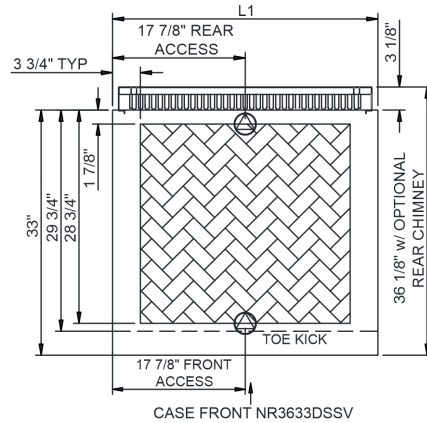
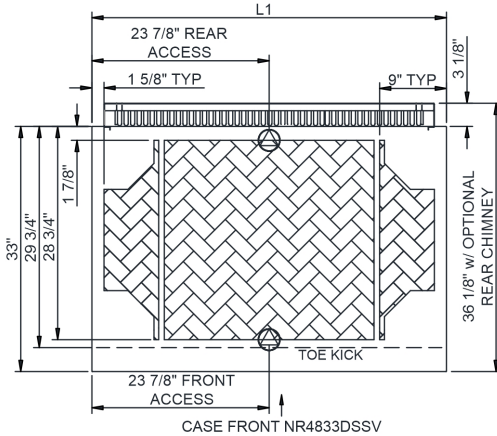
Specify	Standard Features	Additional Options
FRAME EXTERIOR COLOR	• Powder coated Silversan Black	• Powder coated (stock/non-stock colors) • Stainless steel
INTERIOR COLOR	• Powder coated Silversan Black	• NOTE: Interior color must be FDA & NSF approved • Powder coated (stock colors, specify RAL#) • Stainless steel
LOWER FRONT PANEL COLOR	• Powder coated Silversan Black	• Powder coated (stock colors, specify RAL#) • Stainless steel
PANEL EXTERIOR	• Black	• Laminate (stock/non-stock colors) • Stainless steel
BASE SUPPORT	• Adjustable, locking casters	• 6"H legs (self-cont.)
END PANELS	• Full end panel	• None (specify per line-up)
LOWER REAR PANEL	• Powder coated Silversan Black	• Powder coated (stock colors, specify RAL#) • Stainless steel
REAR DOORS	• None (solid back panel)	• Clear glass rear sliding doors • Reflective glass rear sliding doors
LIGHTS	• LED 3500K w/ frosted lens	• LED 3000K w/ frosted lens • LED 4000K w/ frosted lens
ELECTRICAL CONNECTION	• 6' Straight blade power cord	• 6' Locking blade power cord • Electrical leads (non-refrigerated)
MISCELLANEOUS		¹ • 14.5" Base height extension • Rear door lock • Second year parts & labor warranty
ACCESSORIES		• Removable clear acrylic security cover, locking

Option Notes: 1 - Cannot be combined w/ 6"H legs

Intended Environment: Type I - Designed to operate in ambient conditions of 75°F with 55% relative humidity unless noted otherwise in system information below.		
Zone	Intended Product To Be Displayed	Warmest Avg Prod Temp ° F
1	Packaged non-refrigerated products	Ambient

PLAN VIEW

SIDE VIEW



NOTE: ALL DIMENSIONS APPROXIMATE

- ELECTRICAL JUNCTION BOX (SUPPLIED WITH 6" LEADS OR POWER CORD).
- LOCATION OF DRAIN TUBE FOR REMOTE REF. ONLY (SUPPLIED WITH 3/4" OR 1 1/2" PVC TUBE).

- REFRIGERATION LINE CONNECTION.
- REMOTE FLOOR SINK & UTILITIES ACCESS AREA.

- SELF-CONTAINED CASE SERVICE ACCESS AREA.
- DRY CASE SERVICE ACCESS AREA.

Model Technical Specifications																		
Model	L"	L1"	L2"	System Circuit Volts			Phs	Freq	Amps ***	Watts	Wires	NEMA Plug	SST	Conv. Rack BTUH	Para. Rack BTUH	Est Wt		
NR3633DSSV	N/A	35.75	.00	Ambient/Lights (N/A)			Circuit #1	110-120	1	60	0.70	4	2+G	5-15P or L5-15P	N/A	N/A	N/A	500
NR4833DSSV	N/A	47.75	.00	Ambient/Lights (N/A)			Circuit #1	110-120	1	60	0.70	5	2+G	5-15P or L5-15P	N/A	N/A	N/A	600

*** Does not include electric defrost on freezer models.

Regulatory Approvals:	
All Models	ETL Listed to UL 65 ETL Sanitation to NSF/ANSI 2



Important Notes:

- ELECTRICAL NOTE: If GFCI is required, a GFCI breaker MUST be used in lieu of a GFCI receptacle
- Glass warranty only applicable to first point of delivery.

⚠ WARNING: This product can expose you to chemicals, including Urethane (Ethyl Carbamate), which are known to the State of California to cause cancer and birth defects or other reproductive harm. For more information go to www.P65Warnings.ca.gov.