

# Technical Information

Reveal® - Refrigerated Self-Service Slide In Counter Case

Structural Concepts®

DELIVERING FRESH. ALWAYS.™

DIMENSIONS / SHIPPING				
Model	L"	L1"	L2"	Est Wt (lbs)
NE3620RSSV	N/A	35.750	7.500	600
NE4820RSSV	N/A	47.750	7.500	800
NE6020RSSV	N/A	59.750	7.500	1,000
NE7220RSSV	N/A	71.750	7.500	1,200

ELECTRICAL																
Model	System Circuit Volts				Ph	Frq	Rated Load Amps	Min Cir Amps	Max OCP Amps	Watts	Wires	NEMA Plug	Amps Lights	Amps Fans	Amps Anti-Sweats	Amps Misc/Refrig/Heat
NE3620RSSV	Remote (DX)	Circuit #1	110-120	1	60	1.20	15	15	46	2+G	Leads Single	0.70	0.30	0.12	0.08	
	Remote (DX)	Circuit #1	110-120	1	60	1.20	15	15	46	2+G	Leads Single	0.70	0.30	0.12	0.08	
	Self-Contained (R290)	Circuit #1	110-120	1	60	10.85	15	15	968	2+G	5-15P or L5-15P	N/A	0.45	4.08	6.32	
NE4820RSSV	Remote (DX)	Circuit #1	110-120	1	60	1.26	15	15	56	2+G	Leads Single	0.70	0.30	0.18	0.08	
	Remote (DX)	Circuit #1	110-120	1	60	1.26	15	15	56	2+G	Leads Single	0.70	0.30	0.18	0.08	
	Self-Contained (R290)	Circuit #1	110-120	1	60	15.65	20	20	1,527	2+G	5-20P or L5-20P	N/A	0.90	4.13	10.62	
NE6020RSSV	Remote (DX)	Circuit #1	110-120	1	60	1.60	15	15	77	2+G	Leads Single	0.70	0.60	0.22	0.08	
	Remote (DX)	Circuit #1	110-120	1	60	1.60	15	15	77	2+G	Leads Single	0.70	0.60	0.22	0.08	
	Self-Contained (R290)	Circuit #1	110-120	1	60	15.70	20	20	1,538	2+G	5-20P or L5-20P	N/A	0.90	4.18	10.62	
NE7220RSSV	Remote (DX)	Circuit #1	110-120	1	60	1.64	15	15	86	2+G	Leads Single	0.70	0.60	0.26	0.08	
	Remote (DX)	Circuit #1	110-120	1	60	1.64	15	15	86	2+G	Leads Single	0.70	0.60	0.26	0.08	
	Self-Contained (R290)	Circuit #1	208-240	1	60	16.00	20	20	2,794	2+G	6-20P or L6-20P	N/A	0.44	3.54	13.61	

REFRIGERATION															
Model	Zone	Section	System	Envnt	REMOTE REFRIGERATION					GLYCOL / R744 REFRIGERATION					
					SST (°F)	Conv. Rack BTUH	Para. Rack BTUH	Defrost Interval (Hrs)	Defrost Duration	Total GPM	Pressure Drop (psi)	Concent (%)	Liquid Temp (°F)		
NE3620RSSV	All	Refrigerator	Remote-DX	Type II	20	1,771	1,640	4.00	30.00	N/A	N/A	N/A	N/A		
	All	Refrigerator	Remote-DX	Type I	20	1,447	1,340	4.00	30.00	N/A	N/A	N/A	N/A		
	All	Main	Self-Contained-R290	Type II	N/A	N/A	N/A	N/A	N/A	N/A	N/A	N/A	N/A		
NE4820RSSV	All	Refrigerator	Remote-DX	Type II	20	2,333	2,160	4.00	30.00	N/A	N/A	N/A	N/A		
	All	Refrigerator	Remote-DX	Type I	20	1,922	1,780	4.00	30.00	N/A	N/A	N/A	N/A		
	All	Main	Self-Contained-R290	Type II	N/A	N/A	N/A	N/A	N/A	N/A	N/A	N/A	N/A		
NE6020RSSV	All	Refrigerator	Remote-DX	Type II	20	2,873	2,660	4.00	25.00	N/A	N/A	N/A	N/A		
	All	Refrigerator	Remote-DX	Type I	20	2,376	2,200	4.00	25.00	N/A	N/A	N/A	N/A		
	All	Main	Self-Contained-R290	Type II	N/A	N/A	N/A	N/A	N/A	N/A	N/A	N/A	N/A		
NE7220RSSV	All	Refrigerator	Remote-DX	Type II	20	3,391	3,140	4.00	25.00	N/A	N/A	N/A	N/A		
	All	Refrigerator	Remote-DX	Type I	20	2,830	2,620	4.00	25.00	N/A	N/A	N/A	N/A		
	All	Main	Self-Contained-R290	Type II	N/A	N/A	N/A	N/A	N/A	N/A	N/A	N/A	N/A		

INTENDED ENVIRONMENT		
Type II - Designed to operate in ambient conditions of 80°F and 55% relative humidity unless noted otherwise under Envnt above.		
WARMEST AVERAGE PRODUCT TEMP & INTENDED USE OF ZONES		
Zone	Temp (°F)	Intended Use
1	40	Packaged refrigerated products-Prechilled to Warmest Avg Prod Temp.

IMPORTANT NOTES
1) REMOTE REFRIGERATION NOTE: Condensing unit not included, floor drain required.
2) ELECTRICAL NOTE: If GFCI is required, a GFCI breaker MUST be used in lieu of a GFCI receptacle
3) Back side of counter must be open or vented the full length of the unit to allow proper ventilation for the refrigeration system.
4) A vent in the front of the counter recommended to help dissipate compressor heat.
5) Rear Access - Counter must be configured to allow air to be drawn in the rear and discharged out the front.
6) Front Access - Counter must be configured to allow air to be drawn in the front and discharged out the rear.
7) 19.25" minimum space required beneath counter surface.
8) Glass warranty only applicable to first point of delivery.

# Technical Information

Reveal® - Refrigerated Self-Service Slide In Counter Case

Structural Concepts®



DELIVERING FRESH. ALWAYS.™

REGULATORY	
All Models	Accordance with AHRI Std 1200 ETL Listed to UL 471 ETL Listed to CAN/CSA 22.2 No. 120 ETL Sanitation to NSF/ANSI 7



In Accordance with  
**AHRI Std 1200**

NOTE: ALL DIMENSIONS APPROXIMATE

 ELECTRICAL JUNCTION BOX  
(SUPPLIED WITH 6" LEADS OR POWER CORD).  
 LOCATION OF DRAIN TUBE FOR REMOTE REF.  
ONLY (SUPPLIED WITH 3/4" OR 1 1/2" PVC TUBE).

 REFRIGERATION LINE CONNECTION.  
 REMOTE FLOOR SINK & UTILITIES  
ACCESS AREA.

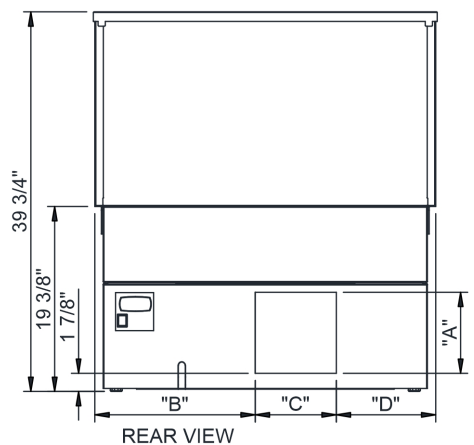
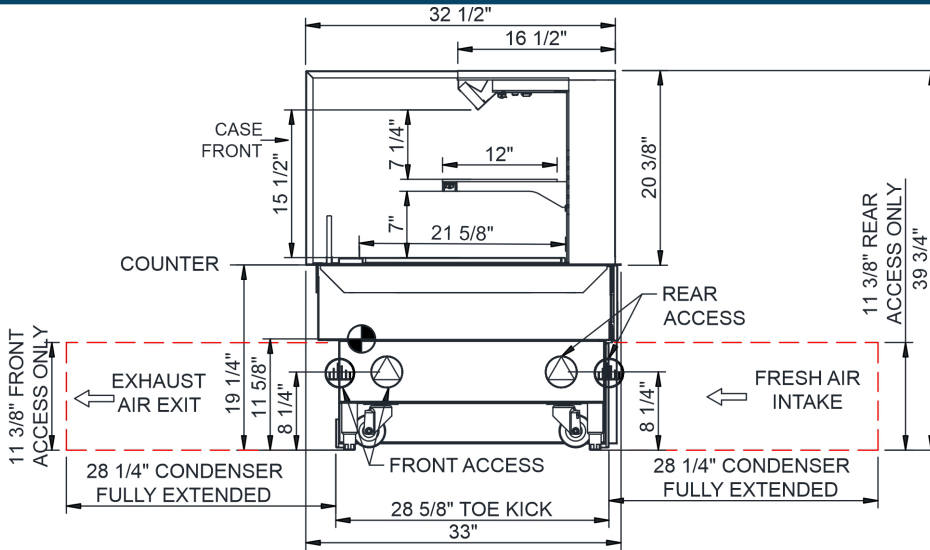
 SELF-CONTAINED CASE SERVICE ACCESS AREA.  
 DRY CASE SERVICE ACCESS AREA.

# Technical Information

Reveal® - Refrigerated Self-Service Slide In Counter Case

Structural Concepts®

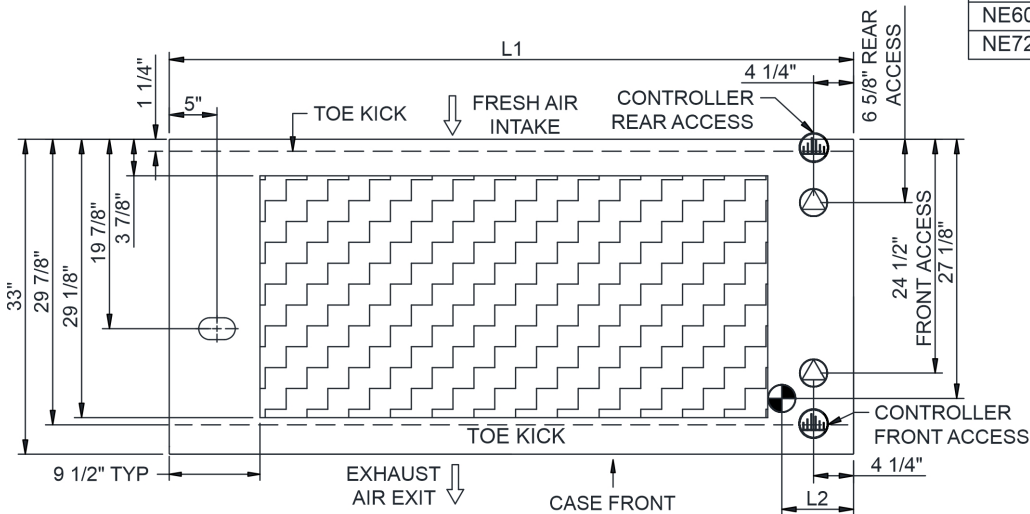
DELIVERING FRESH. ALWAYS.™



**NOTES:**

1. 11 3/8" TALL, FULL WIDTH OF CASE OPENING IN CABINET OR COUNTER IS REQUIRED TO PULL OUT REFRIGERATION SYSTEM.
2. BACK OF COUNTER / CABINET MUST BE VENTED PROPERLY FOR ADEQUATE AIRFLOW TO CONDENSER.
3. \*\*REPRESENTS REAR PULLOUT REFRIGERATION. AIR FLOW INTAKE AND EXIT DETAILS ARE REVERSED WITH FRONT PULLOUT REFRIGERATION OPTION.
4. SELF-CONTAINED ACCESS ONLY BY PULLING OUT CONDENSER UNIT.
5. SEE "COUNTER INSTALLATION GUIDE" FOR AIR FLOW REQUIREMENTS.

	"A"	"B"	"C"	"D"
NE3620RSSV	8 1/2"	16 3/4"	8 1/2"	10 1/2"
NE4820RSSV	8 1/2"	28 3/4"	8 1/2"	10 1/2"
NE6020RSSV	8 1/2"	40 3/4"	8 1/2"	10 1/2"
NE7220RSSV	8 1/2"	22 3/4"	8 1/2" x2	10 1/2"



NOTE: ALL DIMENSIONS APPROXIMATE

- ELECTRICAL JUNCTION BOX (SUPPLIED WITH 6" LEADS OR POWER CORD).
- REFRIGERATION LINE CONNECTION.
- SELF-CONTAINED CASE SERVICE ACCESS AREA.
- LOCATION OF DRAIN TUBE FOR REMOTE REF. ONLY (SUPPLIED WITH 3/4" OR 1 1/2" PVC TUBE).
- REMOTE FLOOR SINK & UTILITIES ACCESS AREA.
- DRY CASE SERVICE ACCESS AREA.