

# Technical Information

Reveal® - Refrigerated Self-Service Slide In Counter Case

Structural Concepts®

DELIVERING FRESH. ALWAYS.™

DIMENSIONS / SHIPPING				
Model	L"	L1"	L2"	Est Wt (lbs)
NE3613RSSV	N/A	35.750	7.500	550
NE4813RSSV	N/A	47.750	7.500	650

ELECTRICAL																
Model	System Circuit Volts				Ph	Frq	Rated Load Amps	Min Cir Amps	Max OCP Amps	Watts	Wires	NEMA Plug	Amps Lights	Amps Fans	Amps Anti-Sweats	Amps Misc/Refrig/Heat
NE3613RSSV	Remote (DX)	Circuit #1	110-120	1	60	1.20	15	15	42	2+G	Leads Single	0.70	0.30	0.12	0.08	
	Remote (DX)	Circuit #1	110-120	1	60	1.20	15	15	42	2+G	Leads Single	0.70	0.30	0.12	0.08	
	Self-Contained (R290)	Circuit #1	110-120	1	60	10.85	15	15	963	2+G	5-15P or L5-15P	N/A	0.45	4.08	6.32	
NE4813RSSV	Remote (DX)	Circuit #1	110-120	1	60	1.26	15	15	51	2+G	Leads Single	0.70	0.30	0.18	0.08	
	Remote (DX)	Circuit #1	110-120	1	60	1.26	15	15	51	2+G	Leads Single	0.70	0.30	0.18	0.08	
	Self-Contained (R290)	Circuit #1	110-120	1	60	10.90	15	15	970	2+G	5-15P or L5-15P	N/A	0.45	4.13	6.32	

REFRIGERATION													
Model	Zone	Section	System	Envt	REMOTE REFRIGERATION					GLYCOL / R744 REFRIGERATION			
					SST (°F)	Conv. Rack BTUH	Para. Rack BTUH	Defrost Interval (Hrs)	Defrost Duration	Total GPM	Pressure Drop (psi)	Concent (%)	Liquid Temp (°F)
NE3613RSSV	All	Refrigerator	Remote-DX	Type II	20	1,210	1,120	4.00	30.00	N/A	N/A	N/A	N/A
	All	Refrigerator	Remote-DX	Type I	20	994	920	4.00	30.00	N/A	N/A	N/A	N/A
	All	Main	Self-Contained-R290	Type II	N/A	N/A	N/A	N/A	N/A	N/A	N/A	N/A	N/A
NE4813RSSV	All	Refrigerator	Remote-DX	Type II	20	1,577	1,460	4.00	30.00	N/A	N/A	N/A	N/A
	All	Refrigerator	Remote-DX	Type I	20	1,318	1,220	4.00	30.00	N/A	N/A	N/A	N/A
	All	Main	Self-Contained-R290	Type II	N/A	N/A	N/A	N/A	N/A	N/A	N/A	N/A	N/A

INTENDED ENVIRONMENT		
Type II - Designed to operate in ambient conditions of 80°F and 55% relative humidity unless noted otherwise under Envt above.		
WARMEST AVERAGE PRODUCT TEMP & INTENDED USE OF ZONES		
Zone	Temp (°F)	Intended Use
1	40	Packaged refrigerated products-Prechilled to Warmest Avg Prod Temp.

- IMPORTANT NOTES**
- 1) REMOTE REFRIGERATION NOTE: Condensing unit not included, floor drain required.
  - 2) ELECTRICAL NOTE: If GFCI is required, a GFCI breaker MUST be used in lieu of a GFCI receptacle
  - 3) Back side of counter must be open or vented the full length of the unit to allow proper ventilation for the refrigeration system.
  - 4) A vent in the front of the counter recommended to help dissipate compressor heat.
  - 5) Rear Access - Counter must be configured to allow air to be drawn in the rear and discharged out the front.
  - 6) Front Access - Counter must be configured to allow air to be drawn in the front and discharged out the rear.
  - 7) 19.25" minimum space required beneath counter surface.
  - 8) Glass warranty only applicable to first point of delivery.

REGULATORY	
All Models	Accordance with AHRI Std 1200 ETL Listed to UL 471 ETL Listed to CAN/CSA 22.2 No. 120 ETL Sanitation to NSF/ANSI 7



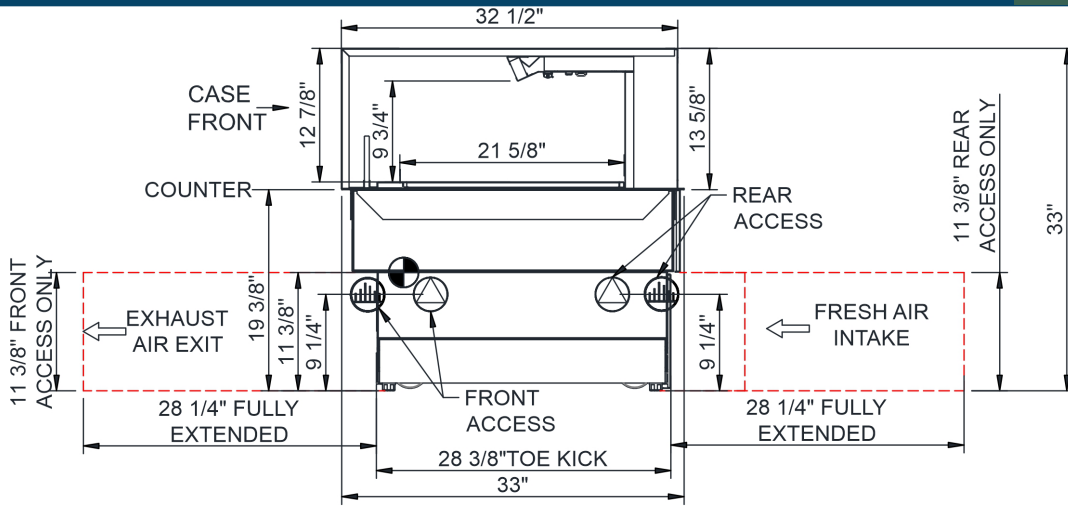
In Accordance with  
**AHRI Std 1200**

# Technical Information

Reveal® - Refrigerated Self-Service Slide In Counter Case

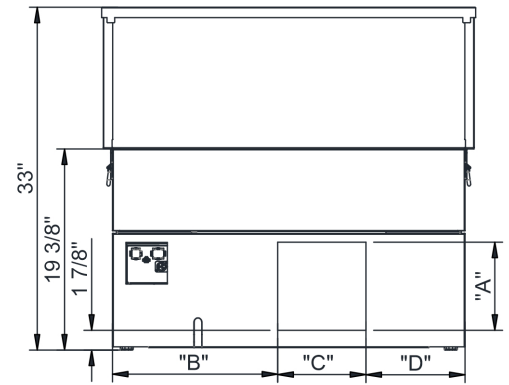
Structural Concepts®

DELIVERING FRESH. ALWAYS.™

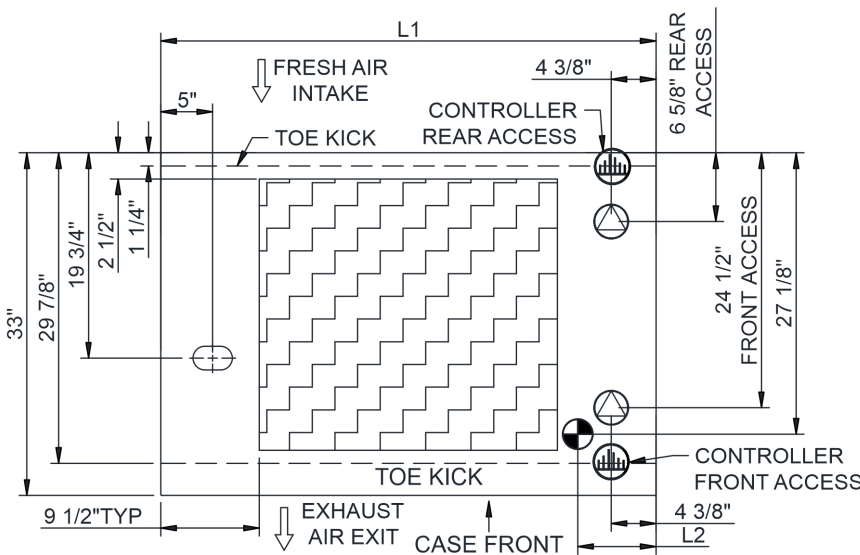


**NOTES:**

1. 11 3/8" TALL, FULL WIDTH OF CASE OPENING IN CABINET OR COUNTER IS REQUIRED TO PULL OUT REFRIGERATION SYSTEM.
2. BACK OF COUNTER / CABINET MUST BE VENTED PROPERLY FOR ADEQUATE AIRFLOW TO CONDENSER.
3. \*\*REPRESENTS REAR PULLOUT REFRIGERATION. AIR FLOW INTAKE AND EXIT DETAILS ARE REVERSED WITH FRONT PULLOUT REFRIGERATION OPTION.
4. SELF-CONTAINED ACCESS ONLY BY PULLING OUT CONDENSER UNIT.
5. 4" OPEN AREA CLEARANCE REQUIRED FOR AIR FLOW FRONT AND REAR OF CASE.



	"A"	"B"	"C"	"D"
NE3633R1SV	8 1/2"	16 "	8 1/2"	9 5/8"
NE4813RSSV	8 1/2"	28 "	8 1/2"	9 5/8"



NOTE: ALL DIMENSIONS APPROXIMATE

- ELECTRICAL JUNCTION BOX (SUPPLIED WITH 6" LEADS OR POWER CORD).
- REFRIGERATION LINE CONNECTION.
- SELF-CONTAINED CASE SERVICE ACCESS AREA.
- LOCATION OF DRAIN TUBE FOR REMOTE REF. ONLY (SUPPLIED WITH 3/4" OR 1 1/2" PVC TUBE).
- REMOTE FLOOR SINK & UTILITIES ACCESS AREA.
- DRY CASE SERVICE ACCESS AREA.