

# Technical Information

Reveal® - Refrigerated Service Case

Structural Concepts®

DELIVERING FRESH. ALWAYS.™

## DIMENSIONS / SHIPPING

Model	L"	L1"	L2"	Est Wt (lbs)
NR3655RSV	N/A	35.750	7.500	900
NR4855RSV	N/A	47.750	7.500	1,000
NR6055RSV	N/A	59.750	7.500	1,100
NR7255RSV	N/A	71.750	7.500	1,200

## ELECTRICAL

Model	System	Circuit	Volts	Ph	Frq	Rated Load Amps	Min Cir Amps	Max OCP Amps	Watts	Wires	NEMA Plug	Amps Lights	Amps Fans	Amps Anti-Sweats	Amps Misc/Refrig/Heat
NR3655RSV	Remote (DX)	Circuit #1	110-120	1	60	1.08	15	15	38	2+G	Leads Single	0.70	0.30		0.08
	Remote (GLYCOL)	Circuit #1	110-120	1	60	1.00	15	15	28	2+G	Leads Single	0.70	0.30		N/A
	Remote (DX)	Circuit #1	110-120	1	60	1.08	15	15	38	2+G	Leads Single	0.70	0.30		0.08
	Self-Contained (R290)	Circuit #1	110-120	1	60	10.73	15	15	964	2+G	5-15P or L5-15P	N/A	0.45	3.96	6.32
NR4855RSV	Remote (DX)	Circuit #1	110-120	1	60	1.08	15	15	44	2+G	Leads Single	0.70	0.30		0.08
	Remote (GLYCOL)	Circuit #1	110-120	1	60	1.00	15	15	34	2+G	Leads Single	0.70	0.30		N/A
	Remote (DX)	Circuit #1	110-120	1	60	1.08	15	15	44	2+G	Leads Single	0.70	0.30		0.08
	Self-Contained (R290)	Circuit #1	110-120	1	60	11.18	15	15	995	2+G	5-15P or L5-15P	N/A	0.90	3.96	6.32
NR6055RSV	Remote (DX)	Circuit #1	110-120	1	60	1.38	15	15	64	2+G	Leads Single	0.70	0.60		0.08
	Remote (DX)	Circuit #1	110-120	1	60	1.38	15	15	64	2+G	Leads Single	0.70	0.60		0.08
	Self-Contained (R290)	Circuit #1	110-120	1	60	11.18	15	15	1,005	2+G	5-15P or L5-15P	N/A	0.90	3.96	6.32
NR7255RSV	Remote (DX)	Circuit #1	110-120	1	60	1.38	15	15	70	2+G	Leads Single	0.70	0.60		0.08
	Remote (GLYCOL)	Circuit #1	110-120	1	60	1.30	15	15	60	2+G	Leads Single	0.70	0.60		N/A
	Remote (DX)	Circuit #1	110-120	1	60	1.38	15	15	70	2+G	Leads Single	0.70	0.60		0.08
	Self-Contained (R290)	Circuit #1	110-120	1	60	15.48	20	20	1,542	2+G	5-20P or L5-20P	N/A	0.90	3.96	10.62

## REFRIGERATION

Model	Zone	Section	System	Envt	REMOTE REFRIGERATION					GLYCOL / R744 REFRIGERATION				
					SST (°F)	Conv. Rack BTUH	Para. Rack BTUH	Defrost Interval (Hrs)	Defrost Duration	Total GPM	Pressure Drop (psi)	Concent (%)	Liquid Temp (°F)	
NR3655RSV	All	Refrigerator	Remote-DX	Type II	20	1,188	1,100	4.00	30.00	N/A	N/A	N/A	N/A	N/A
	All	Main	Remote-Glycol	Type II	N/A	1,188	1,100	4.00	45.00	0.30	0.30	35%	20.00	
	All	Refrigerator	Remote-DX	Type I	20	1,058	980	4.00	30.00	N/A	N/A	N/A	N/A	
	All	Main	Self-Contained-R290	Type II	N/A	N/A	N/A	N/A	N/A	N/A	N/A	N/A	N/A	
NR4855RSV	All	Refrigerator	Remote-DX	Type II	20	1,534	1,420	4.00	30.00	N/A	N/A	N/A	N/A	
	All	Refrigerator	Remote-Glycol	Type II	N/A	1,534	1,420	4.00	45.00	0.25	1.55	35%	20.00	
	All	Refrigerator	Remote-DX	Type I	20	1,361	1,260	4.00	30.00	N/A	N/A	N/A	N/A	
	All	Main	Self-Contained-R290	Type II	N/A	N/A	N/A	N/A	N/A	N/A	N/A	N/A	N/A	
NR6055RSV	All	Refrigerator	Remote-DX	Type II	24	1,879	1,740	4.00	25.00	N/A	N/A	N/A	N/A	
	All	Refrigerator	Remote-DX	Type I	24	1,663	1,540	4.00	25.00	N/A	N/A	N/A	N/A	
	All	Main	Self-Contained-R290	Type II	N/A	N/A	N/A	N/A	N/A	N/A	N/A	N/A	N/A	
NR7255RSV	All	Refrigerator	Remote-DX	Type II	20	2,203	2,040	4.00	30.00	N/A	N/A	N/A	N/A	
	All	Main	Remote-Glycol	Type II	N/A	2,203	2,040	4.00	45.00	0.50	1.00	35%	20.00	
	All	Refrigerator	Remote-DX	Type I	20	1,966	1,820	4.00	30.00	N/A	N/A	N/A	N/A	
	All	Main	Self-Contained-R290	Type II	N/A	N/A	N/A	N/A	N/A	N/A	N/A	N/A	N/A	

## INTENDED ENVIRONMENT

Type II - Designed to operate in ambient conditions of 80°F and 55% relative humidity unless noted otherwise under Envt above.

## WARMEST AVERAGE PRODUCT TEMP & INTENDED USE OF ZONES

Zone	Temp (°F)	Intended Use
1	40	Unpackaged refrigerated products-Prechilled to Warmest Avg Prod Temp.

## IMPORTANT NOTES

- 1) REMOTE REFRIGERATION NOTE: Condensing unit not included, floor drain required.
- 2) ELECTRICAL NOTE: If GFCI is required, a GFCI breaker MUST be used in lieu of a GFCI receptacle
- 3) Back side of counter must be open or vented the full length of the unit to allow proper ventilation for the refrigeration system.
- 4) Glass warranty only applicable to first point of delivery.
- 5) Compressor air intake from rear and out front panel at toe kick. Front panel cannot be blocked.

# Technical Information

Reveal® - Refrigerated Service Case

Structural Concepts®

DELIVERING FRESH. ALWAYS.™

## REGULATORY


All Models	Accordance with AHRI Std 1200 ETL Listed to UL 471 ETL Listed to CAN/CSA 22.2 No. 120 ENERGY STAR® ETL Sanitation to NSF/ANSI 7
------------	---




In Accordance with  
**AHRI Std 1200**



**NOTE: ALL DIMENSIONS APPROXIMATE**

 **ELECTRICAL JUNCTION BOX**  
(SUPPLIED WITH 6" LEADS OR POWER CORD).

 **LOCATION OF DRAIN TUBE FOR REMOTE REF.**  
ONLY (SUPPLIED WITH 3/4" OR 1 1/2" PVC TUBE).

 **REFRIGERATION LINE CONNECTION.**

 **REMOTE FLOOR SINK & UTILITIES**  
ACCESS AREA.

 **SELF-CONTAINED CASE SERVICE ACCESS AREA.**

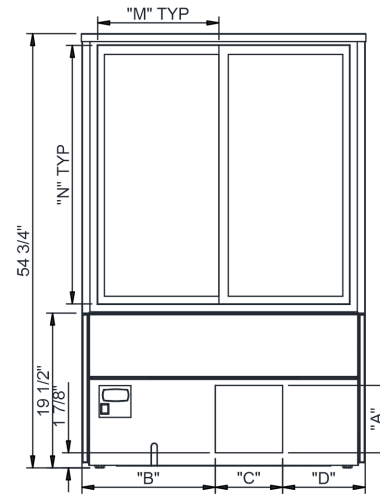
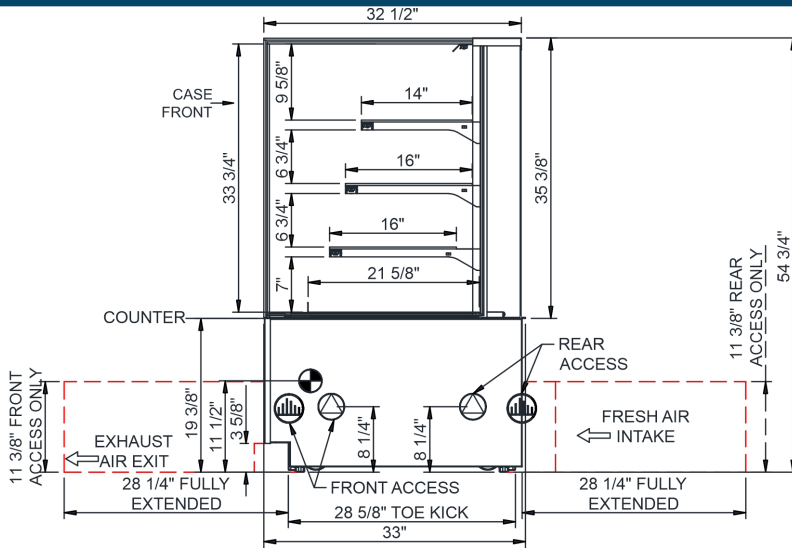
 **DRY CASE SERVICE ACCESS AREA.**

# Technical Information

Reveal® - Refrigerated Service Case

Structural Concepts®

DELIVERING FRESH. ALWAYS.™

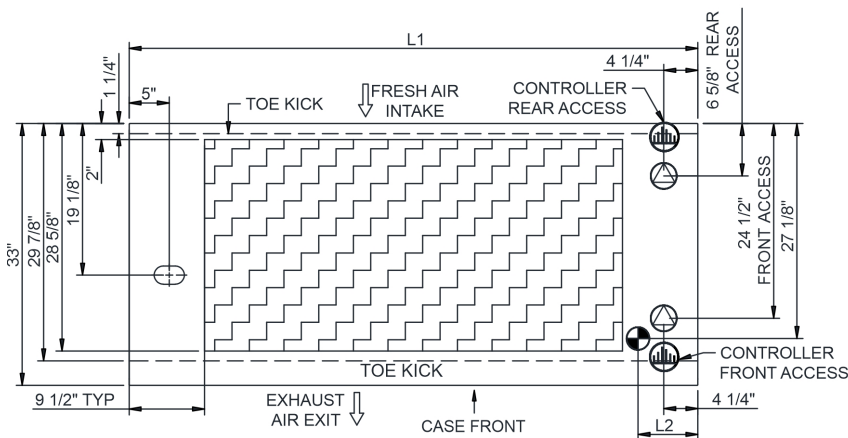


## NOTES:

1. 11 3/8" TALL, FULL WIDTH OF CASE OPENING IN CABINET OR COUNTER IS REQUIRED TO PULL OUT REFRIGERATION SYSTEM.
2. BACK OF COUNTER / CABINET MUST BE VENTED PROPERLY FOR ADEQUATE AIRFLOW TO CONDENSER.
3. \*\*REPRESENTS REAR PULLOUT REFRIGERATION. AIR FLOW INTAKE AND EXIT DETAILS ARE REVERSED WITH FRONT PULLOUT REFRIGERATION OPTION.
4. SELF-CONTAINED ACCESS ONLY BY PULLING OUT CONDENSER UNIT.
5. 4" OPEN AREA CLEARANCE REQUIRED FOR AIR FLOW FRONT AND REAR OF CASE.

## REAR VIEW

	"A"	"B"	"C"	"D"	"M"	"N"
NR3655RSV	8 1/2"	16 3/4"	8 1/2"	10 1/2"	14 1/2"	32 5/8"
NR4855RSV	8 1/2"	28 3/4"	8 1/2"	10 1/2"	20 1/2"	32 5/8"
NR6055RSV	8 1/2"	40 3/4"	8 1/2"	10 1/2"	26 1/2"	32 5/8"
NR7255RSV	8 1/2"	52 3/4"	8 1/2"	10 1/2"	32 1/2"	32 5/8"



NOTE: ALL DIMENSIONS APPROXIMATE

-  ELECTRICAL JUNCTION BOX (SUPPLIED WITH 6" LEADS OR POWER CORD).
-  REFRIGERATION LINE CONNECTION.
-  SELF-CONTAINED CASE SERVICE ACCESS AREA.
-  LOCATION OF DRAIN TUBE FOR REMOTE REF. ONLY (SUPPLIED WITH 3/4" OR 1 1/2" PVC TUBE).
-  REMOTE FLOOR SINK & UTILITIES ACCESS AREA.
-  DRY CASE SERVICE ACCESS AREA.