

Technical Information

Reveal® - Refrigerated Service Case

Structural Concepts®

DELIVERING FRESH. ALWAYS.™

DIMENSIONS / SHIPPING				
Model	L"	L1"	L2"	Est Wt (lbs)
NR3647RSV	N/A	35.750	7.500	650
NR4847RSV	N/A	47.750	7.500	950
NR6047RSV	N/A	59.750	7.500	1,000
NR7247RSV	N/A	71.750	7.500	1,150

ELECTRICAL																
Model	System Circuit Volts				Ph	Frq	Rated Load Amps	Min Cir Amps	Max OCP Amps	Watts	Wires	NEMA Plug	Amps Lights	Amps Fans	Amps Anti-Sweats	Amps Misc/Refrig/Heat
NR3647RSV	Remote (DX)	Circuit #1	110-120	1	60	1.08	15	15	35	2+G	Leads Single	0.70	0.30		0.08	
	Remote (DX)	Circuit #1	110-120	1	60	1.08	15	15	35	2+G	Leads Single	0.70	0.30		0.08	
	Self-Contained (R290)	Circuit #1	110-120	1	60	10.73	15	15	959	2+G	5-15P or L5-15P	N/A	0.45	3.96	6.32	
NR4847RSV	Remote (DX)	Circuit #1	110-120	1	60	1.08	15	15	39	2+G	Leads Single	0.70	0.30		0.08	
	Remote (DX)	Circuit #1	110-120	1	60	1.08	15	15	39	2+G	Leads Single	0.70	0.30		0.08	
	Self-Contained (R290)	Circuit #1	110-120	1	60	11.18	15	15	987	2+G	5-15P or L5-15P	N/A	0.90	3.96	6.32	
NR6047RSV	Remote (DX)	Circuit #1	110-120	1	60	1.38	15	15	58	2+G	Leads Single	0.70	0.60		0.08	
	Remote (DX)	Circuit #1	110-120	1	60	1.38	15	15	58	2+G	Leads Single	0.70	0.60		0.08	
	Self-Contained (R290)	Circuit #1	110-120	1	60	11.18	15	15	994	2+G	5-15P or L5-15P	N/A	0.90	3.96	6.32	
NR7247RSV	Remote (DX)	Circuit #1	110-120	1	60	1.38	15	15	62	2+G	Leads Single	0.70	0.60		0.08	
	Remote (DX)	Circuit #1	110-120	1	60	1.38	15	15	62	2+G	Leads Single	0.70	0.60		0.08	
	Self-Contained (R290)	Circuit #1	110-120	1	60	15.48	20	20	1,529	2+G	5-20P or L5-20P	N/A	0.90	3.96	10.62	

REFRIGERATION														
Model	Zone	Section	System	Envt	REMOTE REFRIGERATION					GLYCOL / R744 REFRIGERATION				
					SST (°F)	Conv. Rack BTUH	Para. Rack BTUH	Defrost Interval (Hrs)	Defrost Duration	Total GPM	Pressure Drop (psi)	Concent (%)	Liquid Temp (°F)	
NR3647RSV	All	Refrigerator	Remote-DX	Type II	24	1,015	940	4.00	30.00	N/A	N/A	N/A	N/A	
	All	Refrigerator	Remote-DX	Type I	24	907	840	4.00	30.00	N/A	N/A	N/A	N/A	
	All	Main	Self-Contained-R290	Type II	N/A	N/A	N/A	N/A	N/A	N/A	N/A	N/A	N/A	
NR4847RSV	All	Refrigerator	Remote-DX	Type II	24	1,318	1,220	4.00	30.00	N/A	N/A	N/A	N/A	
	All	Refrigerator	Remote-DX	Type I	24	1,166	1,080	4.00	30.00	N/A	N/A	N/A	N/A	
	All	Main	Self-Contained-R290	Type II	N/A	N/A	N/A	N/A	N/A	N/A	N/A	N/A	N/A	
NR6047RSV	All	Refrigerator	Remote-DX	Type II	20	1,620	1,500	4.00	25.00	N/A	N/A	N/A	N/A	
	All	Refrigerator	Remote-DX	Type I	20	1,447	1,340	4.00	25.00	N/A	N/A	N/A	N/A	
	All	Main	Self-Contained-R290	Type II	N/A	N/A	N/A	N/A	N/A	N/A	N/A	N/A	N/A	
NR7247RSV	All	Refrigerator	Remote-DX	Type II	20	1,922	1,780	4.00	25.00	N/A	N/A	N/A	N/A	
	All	Refrigerator	Remote-DX	Type I	20	1,706	1,580	4.00	25.00	N/A	N/A	N/A	N/A	
	All	Main	Self-Contained-R290	Type II	N/A	N/A	N/A	N/A	N/A	N/A	N/A	N/A	N/A	

INTENDED ENVIRONMENT		
Type II - Designed to operate in ambient conditions of 80°F and 55% relative humidity unless noted otherwise under Envt above.		
WARMEST AVERAGE PRODUCT TEMP & INTENDED USE OF ZONES		
Zone	Temp (°F)	Intended Use
1	40	Unpackaged refrigerated products-Prechilled to Warmest Avg Prod Temp.

IMPORTANT NOTES
1) REMOTE REFRIGERATION NOTE: Condensing unit not included, floor drain required.
2) ELECTRICAL NOTE: If GFCI is required, a GFCI breaker MUST be used in lieu of a GFCI receptacle
3) Back side of counter must be open or vented the full length of the unit to allow proper ventilation for the refrigeration system.
4) Glass warranty only applicable to first point of delivery.
5) Compressor air intake from rear and out front panel at toe kick. Front panel cannot be blocked.

REGULATORY	
All Models	Accordance with AHRI Std 1200 ETL Listed to UL 471 ETL Listed to CAN/CSA 22.2 No. 120 ENERGY STAR® ETL Sanitation to NSF/ANSI 7

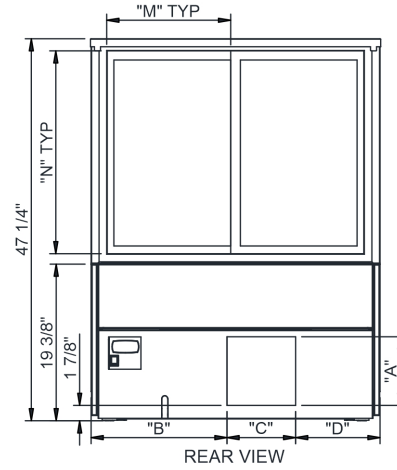
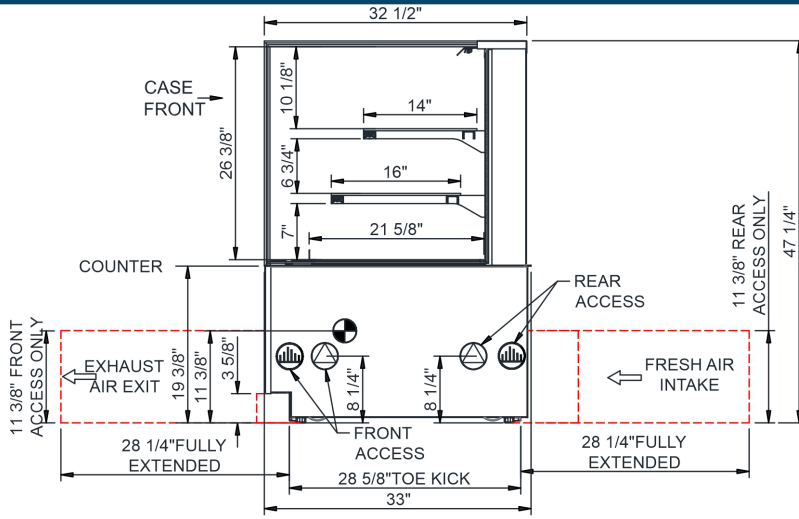


Technical Information

Reveal® - Refrigerated Service Case

Structural Concepts®

DELIVERING FRESH. ALWAYS.™

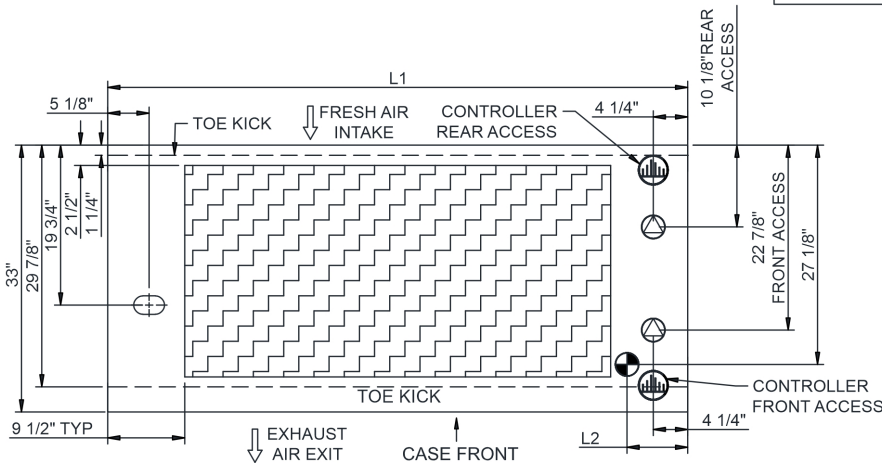


NOTES:

1. 11 3/8" TALL, FULL WIDTH OF CASE OPENING IN CABINET OR COUNTER IS REQUIRED TO PULL OUT REFRIGERATION SYSTEM.
2. BACK OF COUNTER / CABINET MUST BE VENTED PROPERLY FOR ADEQUATE AIRFLOW TO CONDENSER.
3. REPRESENTS REAR PULLOUT REFRIGERATION. AIR FLOW INTAKE AND EXIT DETAILS ARE REVERSED WITH FRONT PULLOUT REFRIGERATION OPTION.
4. SELF-CONTAINED ACCESS ONLY BY PULLING OUT CONDENSER UNIT.
5. 4" OPEN AREA CLEARANCE REQUIRED FOR AIR FLOW FRONT AND REAR OF CASE.

	"A"	"B"	"C"	"D"
NR3647RSV	8 1/2"	16 3/4"	8 1/2"	10 3/8"
NR4847RSV	8 1/2"	28 3/4"	8 1/2"	10 3/8"
NR6047RSV	8 1/2"	40 3/4"	8 1/2" x2	10 3/8"
NR7247RSV	8 1/2"	52 3/4"	8 1/2" x2	10 3/8"

	"M"	"N"
NR3647RSV	15 3/8"	25 1/4"
NR4847RSV	21 3/8"	25 1/4"
NR6047RSV	27 3/8"	25 1/4"
NR7247RSV	33 3/8"	25 1/4"



NOTE: ALL DIMENSIONS APPROXIMATE

- ELECTRICAL JUNCTION BOX (SUPPLIED WITH 6" LEADS OR POWER CORD).
- REFRIGERATION LINE CONNECTION.
- SELF-CONTAINED CASE SERVICE ACCESS AREA.
- LOCATION OF DRAIN TUBE FOR REMOTE REF. ONLY (SUPPLIED WITH 3/4" OR 1 1/2" PVC TUBE).
- REMOTE FLOOR SINK & UTILITIES ACCESS AREA.
- DRY CASE SERVICE ACCESS AREA.