

Addenda

Non-Refrigerated Self-Service Case w/ Bag Area

Structural Concepts®
DELIVERING FRESH. ALWAYS.™

• CDS4565

44-3/4"L x 32-5/8"D x 68-1/4"H

Included

- 1" Price tag molding (black)
- Black interior & exterior
- Holds (12) 13" x 18" trays
- LED 3500K top light
- One year parts & labor warranty
- Tissue box holder
- Upper and lower storage areas

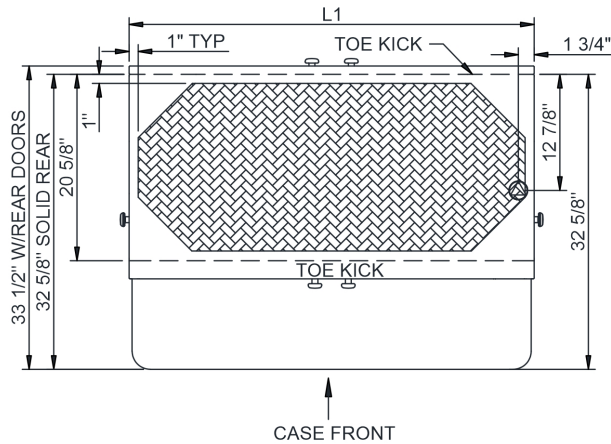


CDS4565

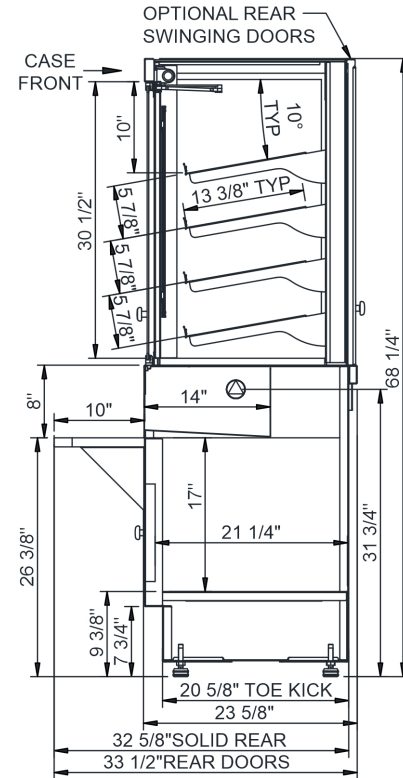
| Specify | Standard Features | Additional Options |
|-----------------------|--|---------------------------------------|
| EXTERIOR COLOR | • Powder coated Silversan Black | |
| INTERIOR COLOR | • Powder coated Silversan Black | |
| BASE SUPPORT | • Levelers | |
| FRONT DOORS | • Clear glass swinging doors w/o lock | |
| PACKAGE LEDGE | • 10" package ledge with bag storage & tissue box holder | |
| LOWER STORAGE | • Lower front storage with swing doors | |
| PRICE TAG MOLDING | • 1" Price tag molding (black) | |
| REAR DOORS | • None (solid back panel) | • Clear glass swinging doors w/o lock |
| SHELVING | • (4) levels tray support, non-lighted shelves | |
| LIGHTS | • LED 3500K top light | |
| ELECTRICAL CONNECTION | • 6' 90° Straight blade power cord | |
| MISCELLANEOUS | | • Second year parts & labor warranty |

| | | |
|--|---|----------------------------------|
| Intended Environment: Type I - Designed to operate in ambient conditions of 75°F with 55% relative humidity unless noted otherwise in system information below. | | |
| Zone | Intended Product To Be Displayed | Warmest Avg Prod Temp ° F |
| 1 | Unpackaged non-refrigerated products | Ambient |

PLAN VIEW



SIDE VIEW



NOTE: ALL DIMENSIONS APPROXIMATE

- ELECTRICAL JUNCTION BOX (SUPPLIED WITH 6" LEADS OR POWER CORD).
- LOCATION OF DRAIN TUBE FOR REMOTE REF. ONLY (SUPPLIED WITH 3/4" OR 1 1/2" PVC TUBE).

- REFRIGERATION LINE CONNECTION.
- REMOTE FLOOR SINK & UTILITIES ACCESS AREA.

- SELF-CONTAINED CASE SERVICE ACCESS AREA.
- DRY CASE SERVICE ACCESS AREA.

| Model Technical Specifications | | | | | | | | | | | | | | | | | | |
|--------------------------------|-----|-------|-----|----------------------|--|--|------------|---------|----------|-------|-------|-----------|-----|-----------------|-----------------|--------|-----|-----|
| Model | L" | L1" | L2" | System Circuit Volts | | | Phs | Freq | Amps *** | Watts | Wires | NEMA Plug | SST | Conv. Rack RTUH | Para. Rack RTUH | Est Wt | | |
| CDS4565 | N/A | 44.75 | .00 | Ambient/Lights (N/A) | | | Circuit #1 | 110-120 | 1 | 60 | 0.70 | 6 | 2+G | 5-15P | N/A | N/A | N/A | 550 |

*** Does not include electric defrost on freezer models.

| Regulatory Approvals: | |
|-----------------------|---|
| All Models | ETL Listed to UL 65 ETL Sanitation to NSF/ANSI 2 |



Important Notes:

1) 24" Minimum door entry clearance required (Without shipping skid)

⚠ WARNING: This product can expose you to chemicals, including Urethane (Ethyl Carbamate), which are known to the State of California to cause cancer and birth defects or other reproductive harm. For more information go to www.P65Warnings.ca.gov.