

Technical Information

Allure - FLP Straight Inside LH Wrap Open Low Profile Case

Structural Concepts®

DELIVERING FRESH. ALWAYS.™

DIMENSIONS / SHIPPING				
Model	L"	L1"	L2"	Est Wt (lbs)
FLP10WL	N/A	115.250	0.000	N/A

ELECTRICAL															
Model	System Circuit Volts			Ph	Frq	Rated Load Amps	Min Cir Amps	Max OCP Amps	Watts	Wires	NEMA Plug	Amps Lights	Amps Fans	Amps Anti-Sweats	Amps Misc/Refrig/Heat
FLP10WL	Remote (GLYCOL)-Type I Env	Circuit #1	110-120	1	60	2.05	15	15	199	2+G	Leads Single		1.40	0.65	N/A
	Remote (R404A)-Type I Env	Circuit #1	110-120	1	60	2.05	15	15	199	2+G	Leads Single		1.40	0.65	N/A
	Remote (R744 L)	Circuit #1	110-120	1	60	2.21	15	15	219	2+G	Leads Single		1.40	0.65	0.08
	Remote (R449A)-Type I Env	Circuit #1	110-120	1	60	2.05	15	15	199	2+G	Leads Single		1.40	0.65	N/A

REFRIGERATION													
Model	Zone	Section	System	Envnt	REMOTE REFRIGERATION					GLYCOL / R744 REFRIGERATION			
					SST (°F)	Conv. Rack BTUH	Para. Rack BTUH	Defrost Interval (Hrs)	Defrost Duration	Total GPM	Pressure Drop (psi)	Concent (%)	Liquid Temp (°F)
FLP10WL	All	Main	Remote-Glycol-Type I Env	Type I	N/A	8,843	8,188	4.00	45.00	1.80	2.10	35%	26.00
	All	Main	Remote-R404A-Type I Env	Type I	26	8,843	8,188	3.00	25.00	N/A	N/A	N/A	N/A
	All	Main	Remote-R744 LIQ OVERFEED	Type I		8,843	8,188	4.00	30.00	0.78	0.41	N/A	26.00
	All	Main	Remote-R449A-Type I Env	Type I	26	8,843	8,188	3.00	25.00	N/A	N/A	N/A	N/A

INTENDED ENVIRONMENT		
Type I - Designed to operate in ambient conditions of 75°F with 55% relative humidity unless noted otherwise under Envnt above.		
WARMEST AVERAGE PRODUCT TEMP & INTENDED USE OF ZONES		
Zone	Temp (°F)	Intended Use
1	38	Floral products

IMPORTANT NOTES
1) REMOTE REFRIGERATION NOTE: Condensing unit not included, floor drain required.
2) ELECTRICAL NOTE: If GFCI is required, a GFCI breaker MUST be used in lieu of a GFCI receptacle.
3) Units must be shimmed during installation to ensure the unit is level and plumb.
4) Keep unit at least 15' from exterior doors, 10' from overhead HVAC vents, 5' from exterior windows.
5) Performance issues (product temperatures, water on floor, etc) caused by adverse conditions are not covered by warranty.

REGULATORY	
All Models	Accordance with AHRI Std 1200 ETL Listed to UL 471 ETL Listed to CAN/CSA 22.2 No. 120



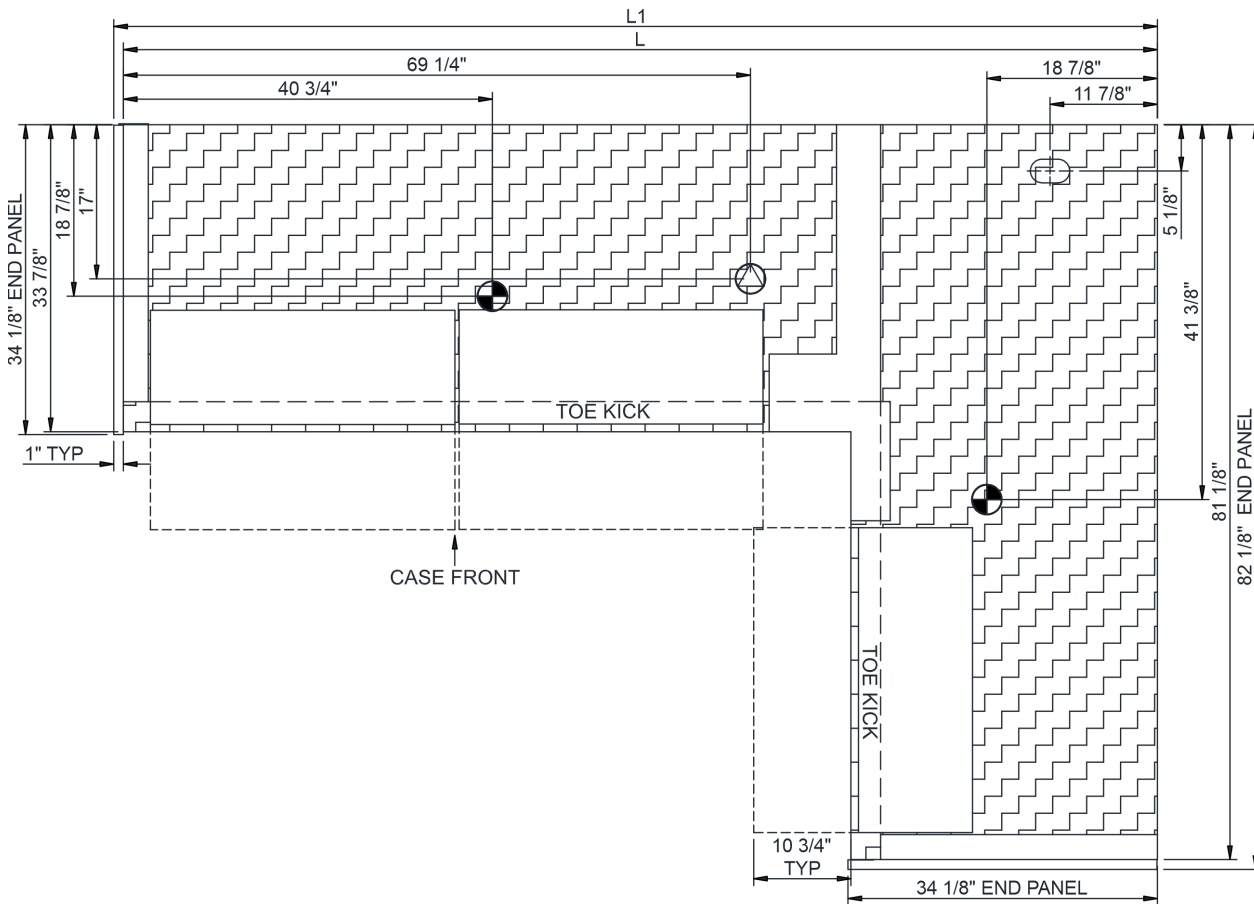
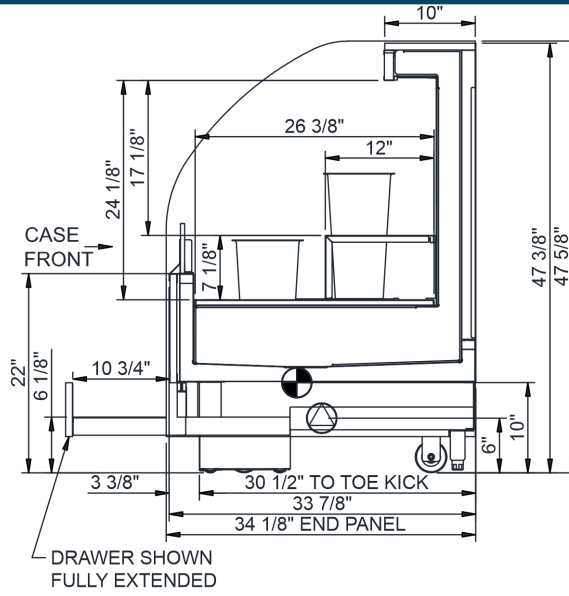
In Accordance with
AHRI Std 1200

Technical Information

Allure - FLP Straight Inside LH Wrap Open Low Profile Case

Structural Concepts®

DELIVERING FRESH. ALWAYS.™



⊗ ELECTRICAL JUNCTION BOX (SUPPLIED WITH 6" LEADS OR POWER CORD).
 ● LOCATION OF DRAIN TUBE FOR REMOTE REF. ONLY (SUPPLIED WITH 3/4" OR 1 1/2" PVC TUBE).

⊕ REFRIGERATION LINE CONNECTION.
 ☒ REMOTE FLOOR SINK & UTILITIES ACCESS AREA.

▨ SELF-CONTAINED CASE SERVICE ACCESS AREA.
 ⊞ DRY CASE SERVICE ACCESS AREA.