

• FLPW48

85-5/8"L x 43"D x 52-3/8"H

Included

- 8" X 13" Buckets
- Digital fahrenheit thermometer
- Levelers (only)
- Second year parts & labor warranty
- Solid back panel, galvanized



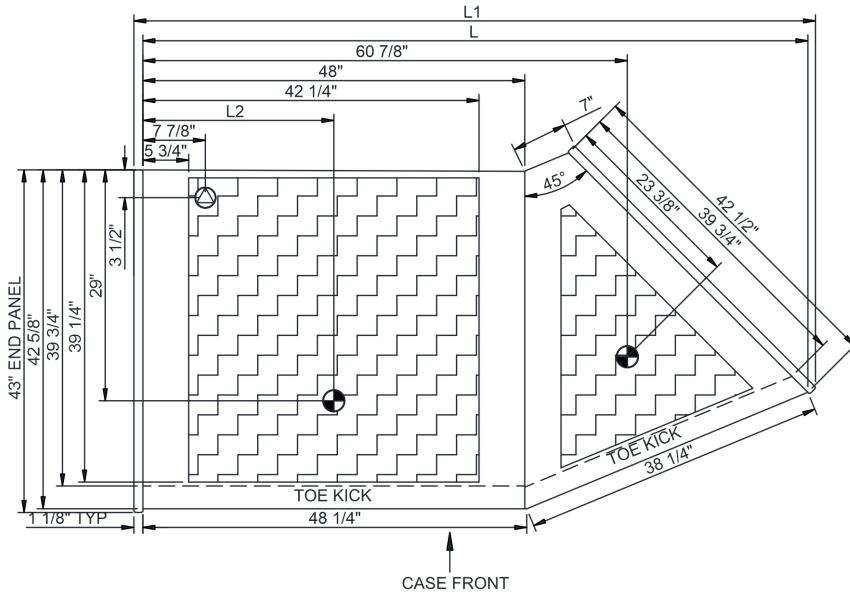
FLPW48

Specify	Standard Features	Additional Options
EXTERIOR COLOR	• Powder coated Silversan Black	• Powder coated (stock/non-stock colors)
INTERIOR COLOR	• Powder coated Silversan Black	
LOWER FRONT PANEL COLOR	• Powder coated Silversan Black	• Powder coated (stock/non-stock colors)
BASE SUPPORT	• Levelers	• Rail system for shims
END PANELS	• Full w/stainless steel mirror interior	• Cutaway w/ glass
SHELVING	• 13"H x 8"Dia Buckets	• 10"H x 9"Dia Buckets • Glass shelves w/ 13"H buckets
REFRIGERATION	¹ • Remote DX refrigeration	
MISCELLANEOUS		• Second year parts & labor warranty
ACCESSORIES		• 2"H & 4"H Risers

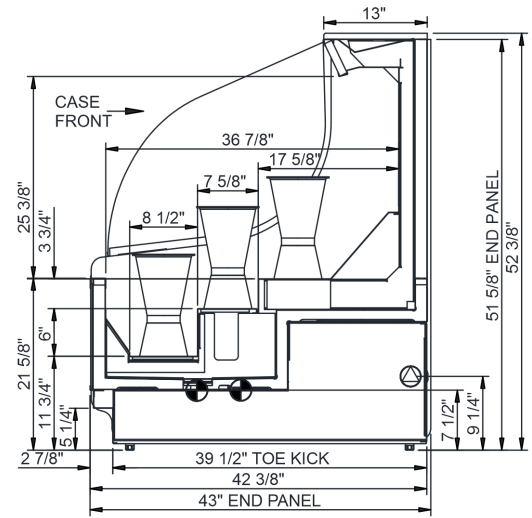
Std Notes: 1 - Read important notes for remote options

Intended Environment: Type I - Designed to operate in ambient conditions of 75°F with 55% relative humidity unless noted otherwise in system information below.		
Zone	Intended Product To Be Displayed	Warmest Avg Prod Temp ° F
1	Floral products	40

PLAN VIEW



SIDE VIEW



NOTE: ALL DIMENSIONS APPROXIMATE

- ELECTRICAL JUNCTION BOX**
(SUPPLIED WITH 6" LEADS OR POWER CORD).
- LOCATION OF DRAIN TUBE FOR REMOTE REF.**
ONLY (SUPPLIED WITH 3/4" OR 1 1/2" PVC TUBE).

- REFRIGERATION LINE CONNECTION.**
- REMOTE FLOOR SINK & UTILITIES**
ACCESS AREA.

- SELF-CONTAINED CASE SERVICE ACCESS AREA.**
- DRY CASE SERVICE ACCESS AREA.**

Model Technical Specifications																
Model	L"	L1"	L2"	System	Circuit	Volts	Phs	Freq	Amps ***	Watts	Wires	NEMA Plug	SST	Conv. Rack BTUH	Para. Rack BTUH	Est Wt
FLPW48	83.63	85.63	24.00	Remote (DX)	Circuit #1	110-120	1	60	1.02	79	2+G	Leads Single	20.00	4493	4160	985

*** Does not include electric defrost on freezer models.

Regulatory Approvals:

All Models	Accordance with AHRI Std 1200 ETL Listed to UL 471 ETL Listed to CAN/CSA 22.2 No. 120
------------	---



Important Notes:

- 1) REMOTE REFRIGERATION NOTE: Condensing unit not included, floor drain required.
- 2) 44" Minimum door entry clearance required Without shipping skid for standard depth case.
- 3) 49" Minimum door entry clearance required Without shipping skid for extended depth case.
- 4) Keep unit at least 15' from exterior doors, 10' from overhead HVAC vents, 5' from exterior windows.
- 5) Units must be shimmed during installation to ensure the unit is level and plumb.
- 6) Performance issues (product temperatures, water on floor, etc) caused by adverse conditions are not covered by warranty.

⚠ WARNING: This product can expose you to chemicals, including Urethane (Ethyl Carbamate), which are known to the State of California to cause cancer and birth defects or other reproductive harm. For more information go to www.P65Warnings.ca.gov.