

Technical Information

Fusion - GMDS Refrigerated Mid-Capacity Service Case

Structural Concepts®

DELIVERING FRESH. ALWAYS.™

DIMENSIONS / SHIPPING				
Model	L"	L1"	L2"	Est Wt (lbs)
GMDS8R.8110	97.500	99.750	0.000	N/A

ELECTRICAL															
Model	System Circuit Volts			Ph	Frq	Rated Load Amps	Min Cir Amps	Max OCP Amps	Watts	Wires	NEMA Plug	Amps Lights	Amps Fans	Amps Anti-Sweats	Amps Misc/Refrig/Heat
GMDS8R.8110	Remote (R744 L)	Circuit #1	110-120	1	60	2.88	15	15	109	2+G	Leads Single	0.70	0.62	1.40	0.16
	Remote (DX)	Circuit #1	110-120	1	60	2.88	15	15	109	2+G	Leads Multiple	0.70	0.62	1.40	0.16
	Remote (GLYCOL)	Circuit #1	110-120	1	60	2.72	15	15	89	2+G	Leads Single	0.70	0.62	1.40	N/A
	Remote (R744 T)	Circuit #1	110-120	1	60	2.88	15	15	109	2+G	Leads Multiple	0.70	0.62	1.40	0.16

REFRIGERATION													
Model	Zone	Section	System	Envt	REMOTE REFRIGERATION					GLYCOL / R744 REFRIGERATION			
					SST (°F)	Conv. Rack BTUH	Para. Rack BTUH	Defrost Interval (Hrs)	Defrost Duration	Total GPM	Pressure Drop (psi)	Concent (%)	Liquid Temp (°F)
GMDS8R.8110	All	Main	Remote-R744 LIQ OVERFEED	Type I		2,722	2,520	4.00	45.00	0.36	0.07	N/A	26.00
	All	Main	Remote-DX	Type I	26	2,722	2,520	4.00	30.00	N/A	N/A	N/A	N/A
	All	Main	Remote-Glycol	Type I	N/A	2,722	2,520	4.00	30.00	1.50	3.04	35%	26.00
	All	Main	Remote-R744 TRANSCRITICAL	Type I	26	2,722	2,520	4.00	30.00	N/A	N/A	N/A	N/A

INTENDED ENVIRONMENT
Type I - Designed to operate in ambient conditions of 75°F with 55% relative humidity unless noted otherwise under Envt above.

IMPORTANT NOTES
1) Units must be shimmed during installation to ensure the unit is level and plumb.

WARMEST AVERAGE PRODUCT TEMP & INTENDED USE OF ZONES		
Zone	Temp (°F)	Intended Use
1	40	Unpackaged refrigerated products

REGULATORY	
All Models	Accordance with AHRI Std 1200 ETL Listed to UL 471 ETL Listed to CAN/CSA 22.2 No. 120 ETL Sanitation to NSF/ANSI 7



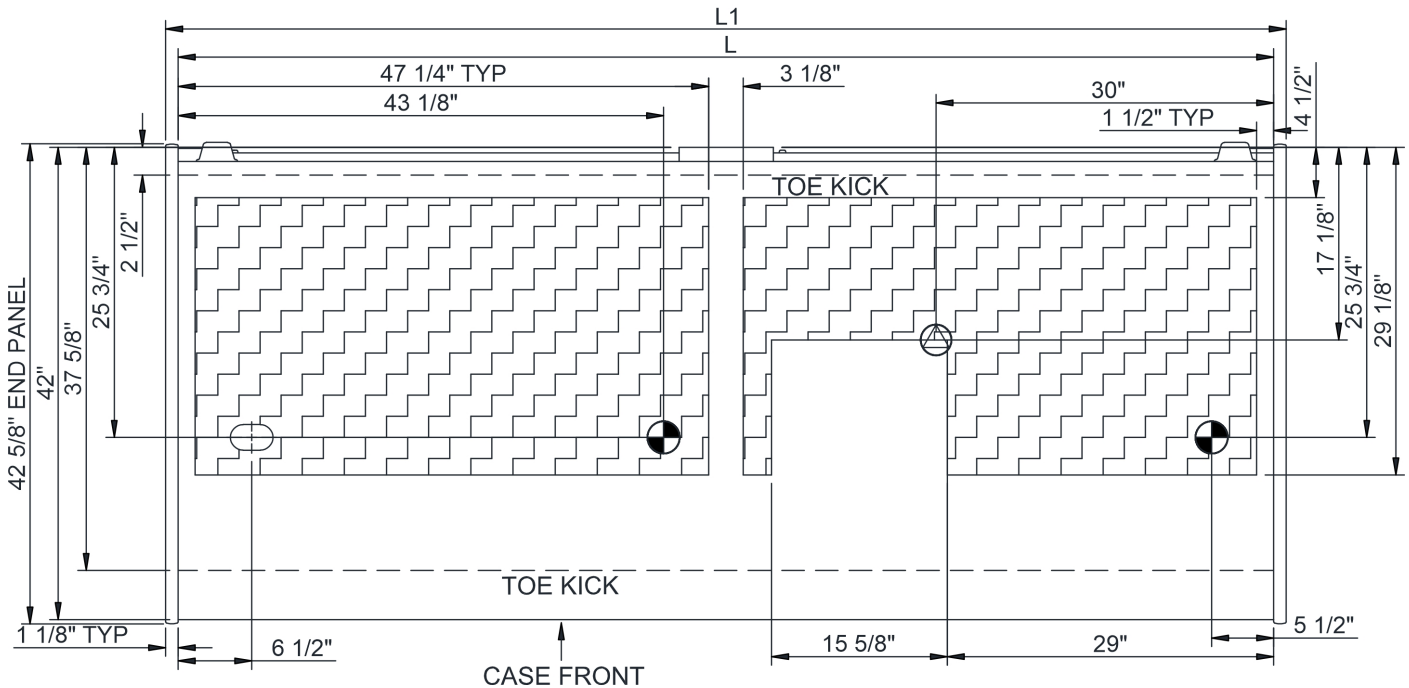
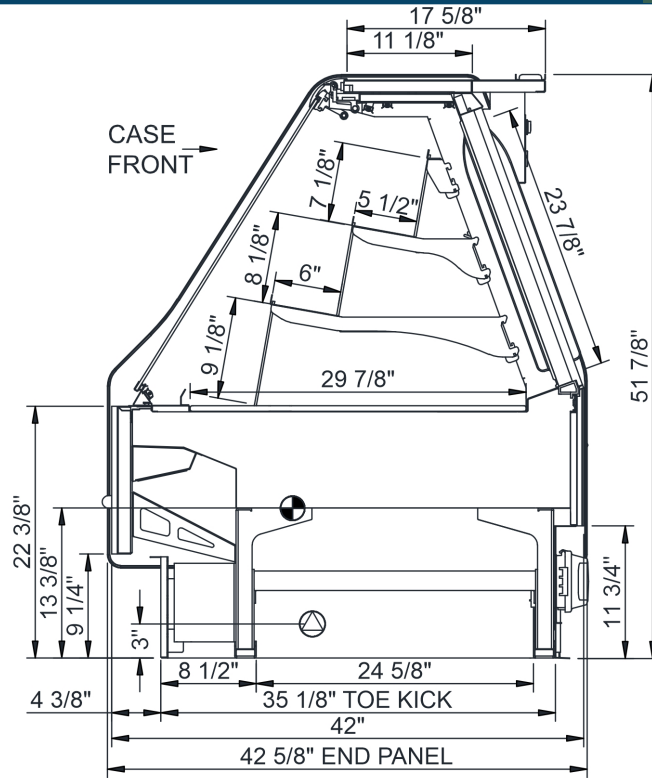
In Accordance with
AHRI Std 1200

Technical Information

Fusion - GMDS Refrigerated Mid-Capacity Service Case

Structural Concepts®

DELIVERING FRESH. ALWAYS.™



NOTE: ALL DIMENSIONS APPROXIMATE

-  ELECTRICAL JUNCTION BOX (SUPPLIED WITH 6" LEADS OR POWER CORD).
-  REFRIGERATION LINE CONNECTION.
-  SELF-CONTAINED CASE SERVICE ACCESS AREA.
-  LOCATION OF DRAIN TUBE FOR REMOTE REF. ONLY (SUPPLIED WITH 3/4" OR 1 1/2" PVC TUBE).
-  REMOTE FLOOR SINK & UTILITIES ACCESS AREA.
-  DRY CASE SERVICE ACCESS AREA.