

ITEM #	DESCRIPTION	SCC P/N
1	ELECTRICAL BOX	SEE SHEET 2
2	EVAPORATOR PACKAGE	SEE SHEET 3
3	PANEL TOP ASSEMBLY	CONTACT SCC
4	EXTRUSION	CONTACT SCC
5	LED LIGHT - HEADER	20-92860
6	LED LIGHT - NOSE	20-92862
7 (NOT SHOWN)	LED LIGHT CLIP	20-91194
8	REAR SLIDING DOORS ASSEMBLY	CONTACT SCC
9	SCALE STAND ELECTRICAL BOX	CONTACT SCC
10	SHELF ASSEMBLY	SEE SHEET 4
11	DECK PAN ASSEMBLY	SEE SHEET 4
12	CUSTOMER LEFT HAND END PANEL	CONTACT SCC
13	LIFT HANDLE	CONTACT SCC
14	UPRIGHT LH & RH	CONTACT SCC
15	UPRIGHT CENTER	CONTACT SCC
16	PANEL BASE FRONT END	CONTACT SCC
17	CUSTOMER RIGHT HAND END PANEL	CONTACT SCC
18	TUB ASSEMBLY	CONTACT SCC
19	BASE FRAME ASSEMBLY	CONTACT SCC
20	PANEL FRONT ASSEMBLY	CONTACT SCC
21	BUMPER	CONTACT SCC
22	PANEL BASE FRONT	CONTACT SCC
23	PANEL BASE REAR	CONTACT SCC

NOTE: INFORMATION IS SUBJECT TO CHANGE AT ANY TIME.
 DRAWING REPRESENT CASES BUILT AFTER JUNE 20XX
 OLDER CASES WILL NEED PART INFORMATION CONFIRMED BY
 THE MANUFACTURER

PROPRIETARY

These drawings and specifications are confidential and proprietary to Structural Concepts Corporation and neither the drawings themselves nor any information thereon may be used without written permission of Structural Concepts Corporation.

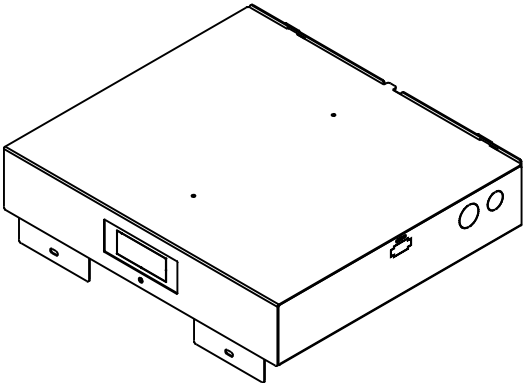
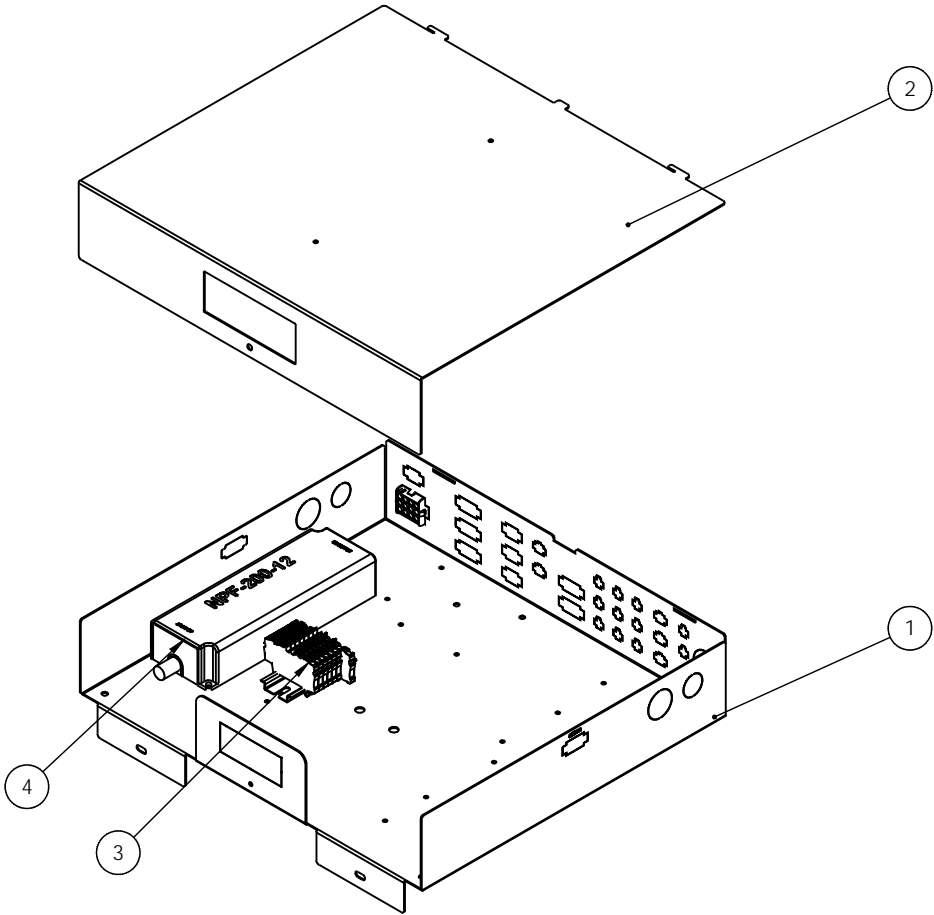
REV. LEVEL	CHANGE DESCRIPTION	DFT. RESP.	ENG. RESP.	ECN NUMBER	DATE
A	R.F. PRODUCTION		CSP		07/03/24

Structural Concepts
 888 E. PORTER ROAD, MUSKEGON, MI 49441
 PHONE: (231) 798-8888, WWW.STRUCTURALCONCEPTS.COM

DESCRIPTION: GMS8R.8110 REPLACEMENT PARTS
 MATERIAL: SEE NOTES
 DIMENSIONS ARE IN INCHES (UNLESS SPECIFIED). TOLERANCES: .00 +/- .03, .000 +/- .015, ANGLES +/- 1 DEG., ISLAS: .00 +/- .06, ANGLES +/- 1 DEG.]

SCALE: NTS ORG. DATE: 07/03/24 SHEET: 1 OF 4 DWG. NO.: B A508258

ITEMS	DESCRIPTION	SCC P/N
1	ELECTRICAL BOX	21-27765
2	ELECTRICAL BOX COVER	21-27766
3	TERMINAL BLOCK ASSEMBLY	77391
4	12V DC LED LIGHT DRIVER	21-27943



NOTE: INFORMATION IS SUBJECT TO CHANGE AT ANY TIME.
 DRAWING REPRESENT CASES BUILT AFTER JUNE 20XX
 OLDER CASES WILL NEED PART INFORMATION CONFIRMED BY
 THE MANUFACTURER

SHEET 2 : SEE SHEET 1
 FOR REVISION NOTES

PROPRIETARY

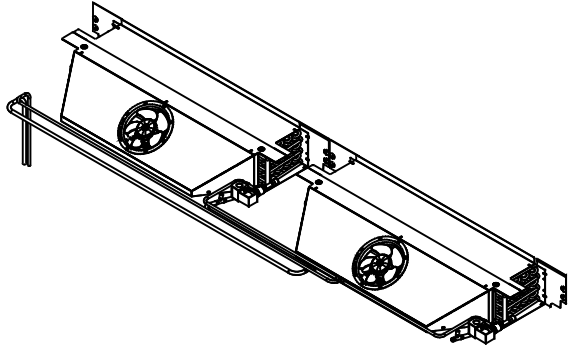
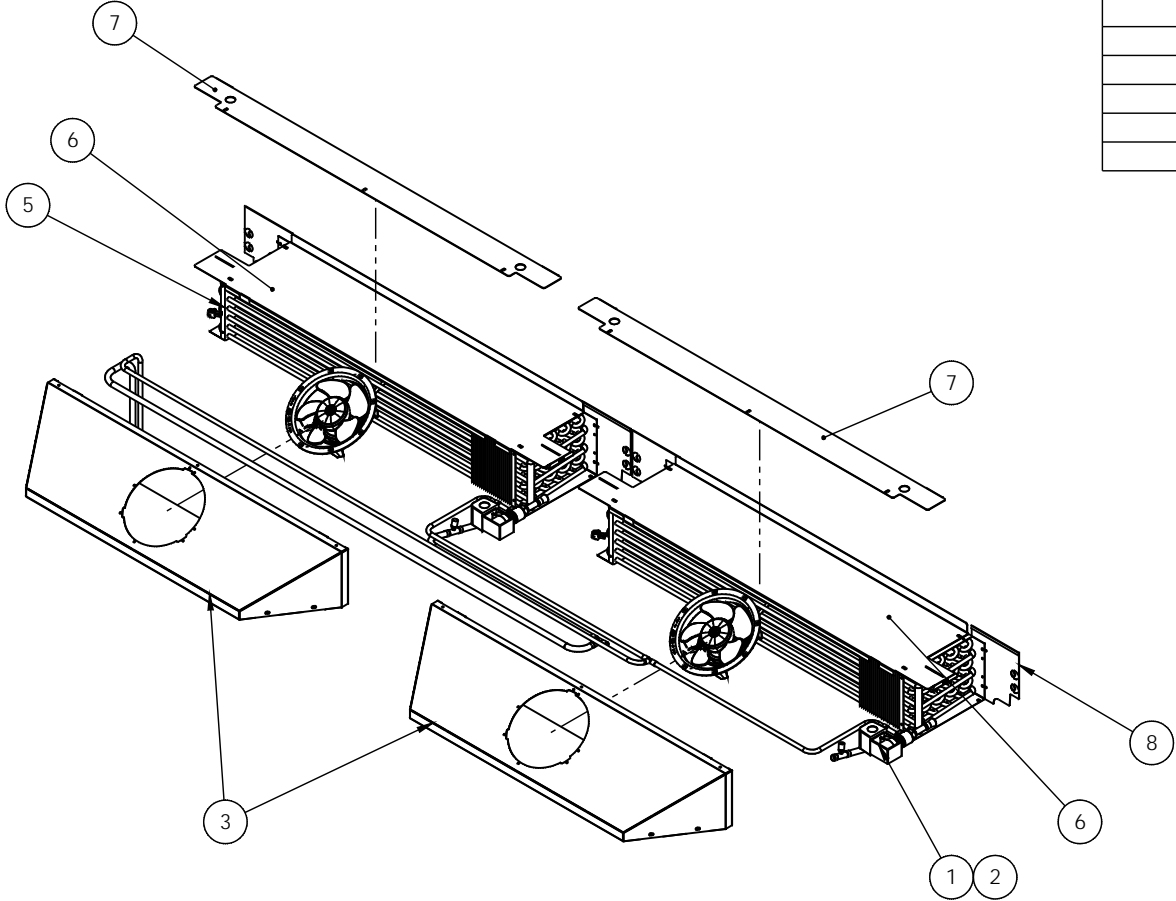
These drawings and specifications are confidential and proprietary to Structural Concepts Corporation and neither the drawings themselves nor any information thereon may be used without written permission of Structural Concepts Corporation.

Structural Concepts
 888 E. PORTER ROAD, MUSKEGON, MI 49441
 PHONE: (231) 798-8888, WWW.STRUCTURALCONCEPTS.COM

DESCRIPTION: GMD58R.8110 REPLACEMENT PARTS
 MATERIAL: SEE NOTES
 DIMENSIONS ARE IN INCHES (UNLESS SPECIFIED). TOLERANCES: .00 +/- .03, .000 +/- .010, ANGLES +/- 1 DEG., (GLASS: 00 +/- .00, ANGLES +/- 1 DEG.)

SCALE: NTS ORG. DATE: 07/03/24 SHEET: 2 OF 4 DWG. NO.: A508258

ITEMS	DESCRIPTION	SCC P/N
1,2,	EXPANSION VALVE ASSEMBLY (VALVE, DIST., LINES)	CONTACT SCC
1	EXPANSION VALVE	CONTACT SCC
2(NOT SHOWN)	DISTRIBUTOR	CONTACT SCC
3	EVAPORATOR FAN SHROUD	55834SS
4	MOTOR FAN ASSEMBLY	21-33777-1200
5	EVAPORATOR COIL	CONTACT SCC
6	EVAPORATOR COIL COVER	21-29663
7	BRACKET FAN SHROUD	21-29664
8	CLOSE-OFF SIDES	21-07424



NOTE: INFORMATION IS SUBJECT TO CHANGE AT ANY TIME.
 DRAWING REPRESENT CASES BUILT AFTER JUNE 20XX
 OLDER CASES WILL NEED PART INFORMATION CONFIRMED BY
 THE MANUFACTURER

SHEET 3 : SEE SHEET 1
 FOR REVISION NOTES

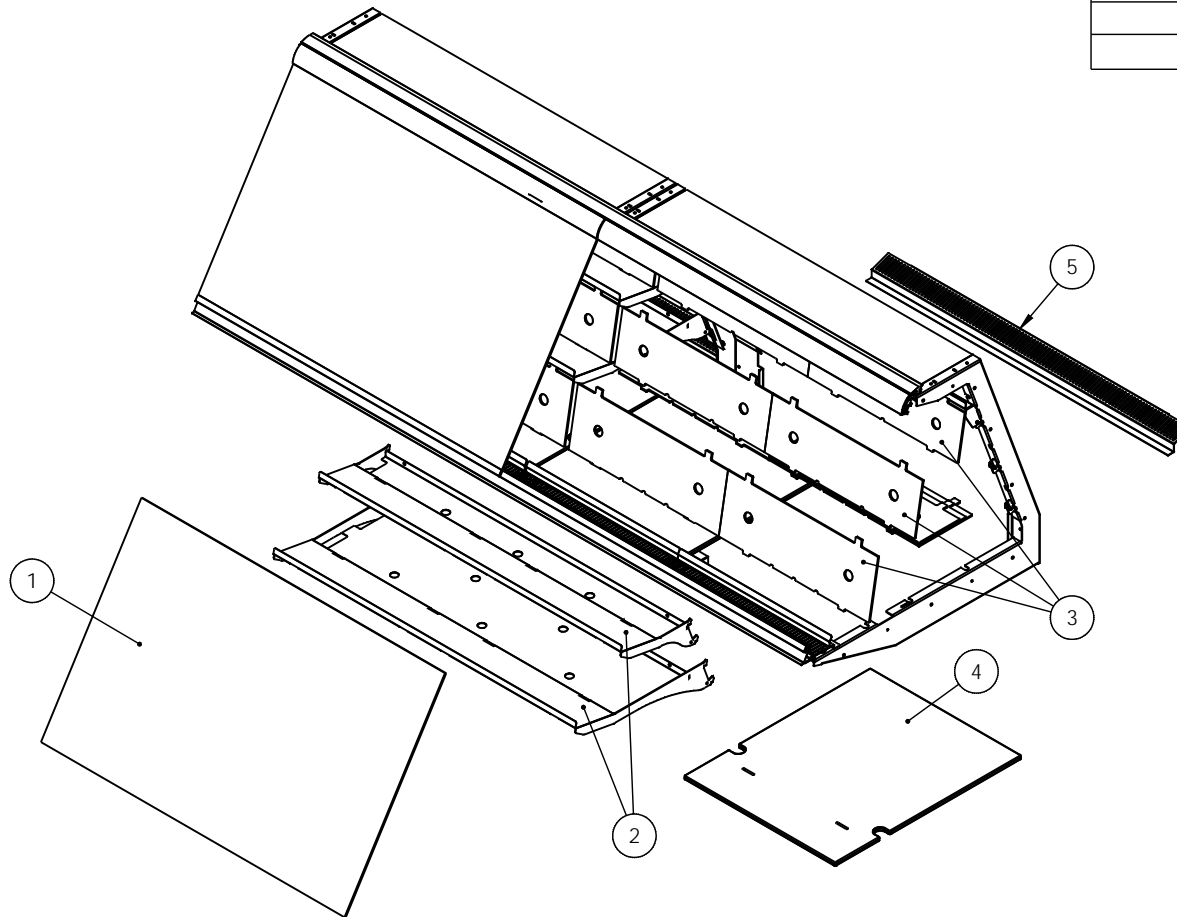
PROPRIETARY

These drawings and specifications are confidential and proprietary to Structural Concepts Corporation and neither the drawings themselves nor any information thereon may be used without written permission of Structural Concepts Corporation.

Structural Concepts
 888 E. PORTER ROAD, MUSKEGON, MI 49441
 PHONE: (231) 798-8888, WWW.STRUCTURALCONCEPTS.COM

DESCRIPTION: GMD58R.8110 REPLACEMENT PARTS			
MATERIAL: SEE NOTES			
DIMENSIONS ARE IN INCHES (UNLESS SPECIFIED). TOLERANCES: .00 +/- .03, .000 +/- .010, ANGLES +/- 1 DEG., (GLASS: .00 +/- .00, ANGLES +/- 1 DEG.)			
SCALE: NTS	ORIG. DATE: 07/03/24	SHEET: 3 OF 4	DWG. NO.: A508258
ORIG. ENG. RESP:			

ITEMS	DESCRIPTION	SCC P/N
1	STRAIGHT GLASS FRONT	CONTACT SCC
2	SHELF ASSEMBLY	CONTACT SCC
3	PANEL STEP BRACKET	CONTACT SCC
4	DECK PAN ASSEMBLY	CONTACT SCC
5	REAR DISCHARGE	CONTACT SCC



SHEET 4 : SEE SHEET 1
FOR REVISION NOTES

PROPRIETARY

These drawings and specifications are confidential and proprietary to Structural Concepts Corporation and neither the drawings themselves nor any information thereon may be used without written permission of Structural Concepts Corporation.

REVISION A

			
		888 E. PORTER ROAD, MUSKEGON, MI 49441 PHONE: (231) 798-8888, WWW.STRUCTURALCONCEPTS.COM	
DESCRIPTION:		GMDS8R.8110 REPLACEMENT PARTS	
MATERIAL:		SEE NOTES	
<small>DIMENSIONS ARE IN INCHES (UNLESS SPECIFIED), TOLERANCES: .00 +/- .03, .000 +/- .010, ANGLES +/- 1 DEG., (GLASS: .00 +/- .00, ANGLES +/- 1 DEG.)</small>			
SCALE	NTS	ORIG. DATE	07/03/24
ORIG. ENG. RESP.		SHEET	4 OF 4
		DWG. NO.	A508258

NOTE: INFORMATION IS SUBJECT TO CHANGE AT ANY TIME.
DRAWING REPRESENT CASES BUILT AFTER JUNE 20XX
OLDER CASES WILL NEED PART INFORMATION CONFIRMED BY
THE MANUFACTURER