

Grocerant

End Cap Soup Case w/ Induction Warmers & Front Storage - 6 Wells - Standard Length

Structural Concepts®
DELIVERING FRESH. ALWAYS.™

• **FBI6SS-67QN.8100** 75"L x 40-3/4"D x 55-1/8"H

Included

- One year parts & labor warranty



FBI6SS-67QN.8100

Specify	Standard Features	Additional Options
EXTERIOR COLOR	• Laminated (Xanadu)	• Laminated (Skyline Walnut)
LOWER FRONT PANEL COLOR	• Powder coated Silversan Black	
BASE SUPPORT	• Rail system for shims	
BUMPER	• 1" bumper on front & ends	
COUNTERTOP SURFACE	• 2 cm. Quartz (specify color)	
DISPENSERS	• Cup & lid dispensers	
WELL ASSEMBLY	• 7qt induction heated wells with indiv. digital controls	
SIGN HOLDER	• Top sign holder	
ELECTRICAL CONNECTION	• Electrical leads	

Grocerant

End Cap Soup Case w/ Induction Warmers & Front Storage - 6 Wells - Standard Length

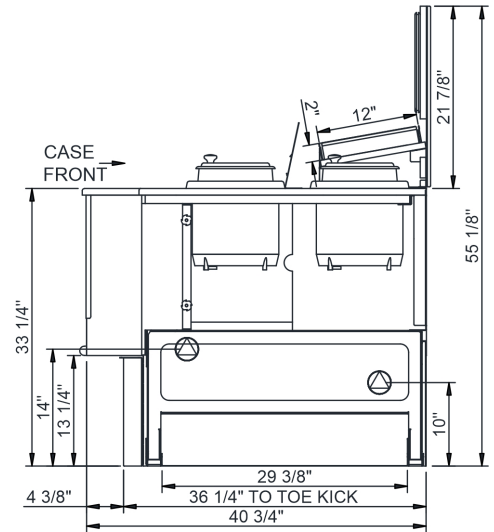
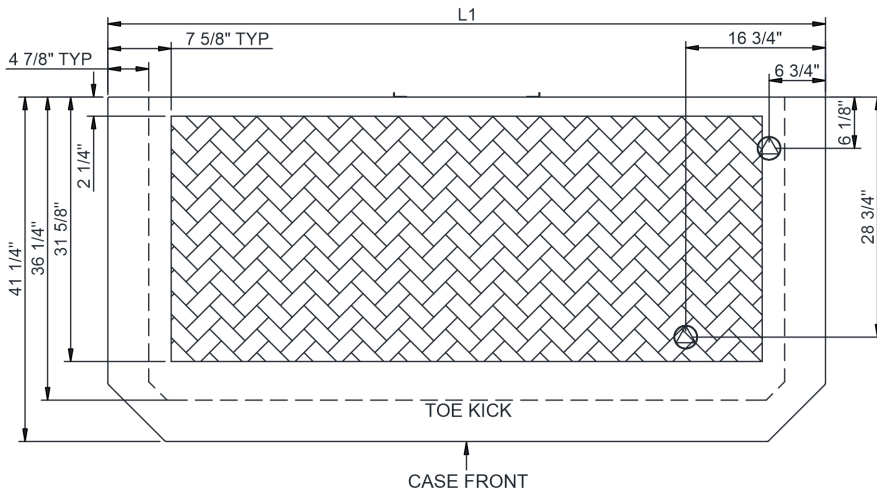
Structural Concepts®

DELIVERING FRESH. ALWAYS.™

Intended Environment: Type I - Designed to operate in ambient conditions of 75°F with 55% relative humidity unless noted otherwise in system information below.		
Zone	Intended Product To Be Displayed	Warmest Avg Prod Temp ° F
1	Heated holding area-Products preheated to Warmest Avg Prod Temp.	100-160

PLAN VIEW

SIDE VIEW



NOTE: ALL DIMENSIONS APPROXIMATE

- ELECTRICAL JUNCTION BOX**
(SUPPLIED WITH 6" LEADS OR POWER CORD).
- LOCATION OF DRAIN TUBE FOR REMOTE REF.**
ONLY (SUPPLIED WITH 3/4" OR 1 1/2" PVC TUBE).

- REFRIGERATION LINE CONNECTION.**
- REMOTE FLOOR SINK & UTILITIES**
ACCESS AREA.

- SELF-CONTAINED CASE SERVICE ACCESS AREA.**
- DRY CASE SERVICE ACCESS AREA.**

Model Technical Specifications																		
Model	L"	L1"	L2"	System Circuit Volts			Phs	Freq	Amps ***	Watts	Wires	NEMA Plug	SST	Conv. Rack RTUH	Para. Rack RTUH	Est Wt		
FBI6SS-67QN.8100	N/A	75.00	.00	Heat (N/A)			Circuit #1	110-120	1	60	12.60	1,512	2+G	Leads Multiple	N/A	N/A	N/A	730

*** Does not include electric defrost on freezer models.

Regulatory Approvals:

All Models	ETL Listed to UL 197 ETL Listed to CAN/CSA 22.2 No. 109 ETL Sanitation to NSF/ANSI 4
------------	--



Important Notes:

1) Units must be shimmed during installation to ensure the unit is level and plumb.

⚠ WARNING: This product can expose you to chemicals, including Urethane (Ethyl Carbamate), which are known to the State of California to cause cancer and birth defects or other reproductive harm. For more information go to www.P65Warnings.ca.gov.