

Cheese - GLDSS 43"H Refrigerated Low-Capacity Self-Service Case - Remote Glycol - Carbon Gray

| DIMENSIONS / SHIPPING | | | | |
|-----------------------|---------|--------|--------|--------------|
| Model | L" | L1" | L2" | Est Wt (lbs) |
| GLDSS443RG.5741-A | 48.750 | 51.250 | 3.500 | N/A |
| GLDSS543RG.5741-A | 60.500 | 63.000 | 3.500 | N/A |
| GLDSS643RG.5741-A | 74.500 | 77.000 | 3.500 | N/A |
| GLDSSX443RG.5741-A | 38.750 | N/A | 4.250 | N/A |
| GLDSSX243RG.5741-A | 47.625 | N/A | 4.500 | N/A |
| GLDSSX180RG.5741-A | 102.500 | N/A | 4.500 | N/A |
| GLDSSN243RG.5741-A | 29.250 | N/A | 8.000 | N/A |
| GLDSSN443RG.5741-A | 56.375 | N/A | 15.125 | N/A |

| ELECTRICAL | | | | | | | | | | | | | | | |
|--------------------|-----------------------------------------|------------|---------|----|-----|-----------------|--------------|--------------|-------|-------|----------------|-------------|-----------|------------------|-----------------------|
| Model | System Circuit Volts | | | Ph | Frq | Rated Load Amps | Min Cir Amps | Max OCP Amps | Watts | Wires | NEMA Plug | Amps Lights | Amps Fans | Amps Anti-Sweats | Amps Misc/Refrig/Heat |
| GLDSS443RG.5741-A | Remote(GLYCOL) | Circuit #1 | 110-120 | 1 | 60 | 1.18 | 15 | 15 | 48 | 2+G | Leads Multiple | 0.70 | 0.30 | 0.18 | N/A |
| GLDSS543RG.5741-A | Remote(GLYCOL) | Circuit #1 | 110-120 | 1 | 60 | 1.41 | 15 | 15 | 57 | 2+G | Leads Multiple | 0.70 | 0.60 | 0.11 | N/A |
| GLDSS643RG.5741-A | Remote(GLYCOL) | Circuit #1 | 110-120 | 1 | 60 | 1.58 | 15 | 15 | 83 | 2+G | Leads Multiple | 0.70 | 0.62 | 0.26 | N/A |
| GLDSSX443RG.5741-A | Remote(GLYCOL) | Circuit #1 | 110-120 | 1 | 60 | 1.04 | 15 | 15 | 26 | 2+G | Leads Multiple | 0.70 | 0.30 | 0.04 | N/A |
| GLDSSX243RG.5741-A | Remote(GLYCOL) | Circuit #1 | 110-120 | 1 | 60 | 1.12 | 15 | 15 | 36 | 2+G | Leads Multiple | 0.70 | 0.30 | 0.12 | N/A |
| GLDSSX180RG.5741-A | Remote(GLYCOL) | Circuit #1 | 110-120 | 1 | 60 | 2.06 | 15 | 15 | 81 | 2+G | Leads Multiple | 0.70 | 1.20 | 0.16 | N/A |
| GLDSSN243RG.5741-A | CONTACT FACTORY FOR UPDATED INFORMATION | | | | | | | | | | | | | | |
| GLDSSN443RG.5741-A | CONTACT FACTORY FOR UPDATED INFORMATION | | | | | | | | | | | | | | |

| REFRIGERATION | | | | | | | | | | | | | | | |
|--------------------|-----------------------------------------|---------|---------------|--------|----------------------|-----------------|-----------------|------------------------|-----------------------------|-----------|---------------------|-------------|------------------|--|--|
| Model | Zone | Section | System | Envt | REMOTE REFRIGERATION | | | | GLYCOL / R744 REFRIGERATION | | | | | | |
| | | | | | SST (°F) | Conv. Rack BTUH | Para. Rack BTUH | Defrost Interval (Hrs) | Defrost Duration (Mins) | Total GPM | Pressure Drop (psi) | Concent (%) | Liquid Temp (°F) | | |
| GLDSS443RG.5741-A | All | Main | Remote-Glycol | Type I | N/A | 3,197 | 2,960 | 4.00 | 45.00 | 2.50 | 3.90 | 35% | 20.00 | | |
| GLDSS543RG.5741-A | All | Main | Remote-Glycol | Type I | N/A | 4,061 | 3,760 | 4.00 | 45.00 | 1.80 | 3.50 | 35% | 20.00 | | |
| GLDSS643RG.5741-A | All | Main | Remote-Glycol | Type I | N/A | 3,456 | 3,200 | 4.00 | 45.00 | 2.00 | 3.90 | 35% | 20.00 | | |
| GLDSSX443RG.5741-A | All | Main | Remote-Glycol | Type I | N/A | 1,469 | 1,360 | 4.00 | 45.00 | 0.80 | 0.40 | 35% | 20.00 | | |
| GLDSSX243RG.5741-A | All | Main | Remote-Glycol | Type I | N/A | 2,527 | 2,340 | 4.00 | 45.00 | 1.50 | 1.30 | 35% | 20.00 | | |
| GLDSSX180RG.5741-A | All | Main | Remote-Glycol | Type I | N/A | 5,875 | 5,440 | 4.00 | 45.00 | 3.20 | 0.40 | 35% | 20.00 | | |
| GLDSSN243RG.5741-A | CONTACT FACTORY FOR UPDATED INFORMATION | | | | | | | | | | | | | | |
| GLDSSN443RG.5741-A | CONTACT FACTORY FOR UPDATED INFORMATION | | | | | | | | | | | | | | |

INTENDED ENVIRONMENT
 Type I - Designed to operate in ambient conditions of 75°F with 55% relative humidity unless noted otherwise under Envt above.

IMPORTANT NOTES
 Units must be shimmed during installation to ensure the unit is level and plumb.

| WARMEST AVERAGE PRODUCT TEMP & INTENDED USE OF ZONES | | |
|------------------------------------------------------|-----------|--------------------------------|
| Zone | Temp (°F) | Intended Use |
| 1 | 38 | Packaged refrigerated products |

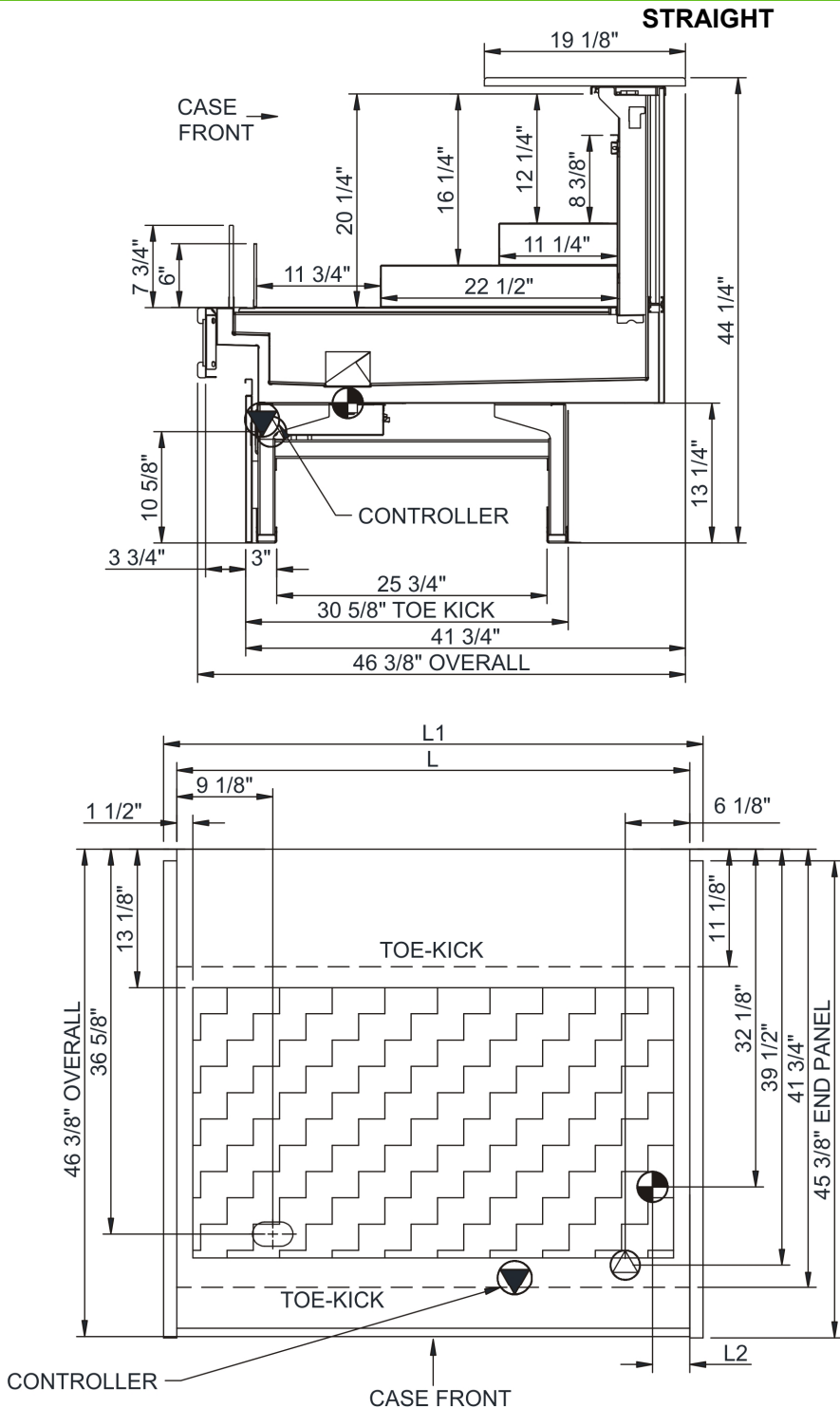
| REGULATORY | |
|------------|-----------------------------------------------------------------------------------------------------------------------------|
| All Models | Accordance with AHRI Std 1200 ETL Listed to UL 471 ETL Listed to CAN/CSA 22.2 No. 120 ETL Sanitation to NSF/ANSI 7 |



In Accordance with
AHRI Std 1200



Cheese - GLDSS 43"H Refrigerated Low-Capacity Self-Service Case - Remote Glycol - Carbon Gray



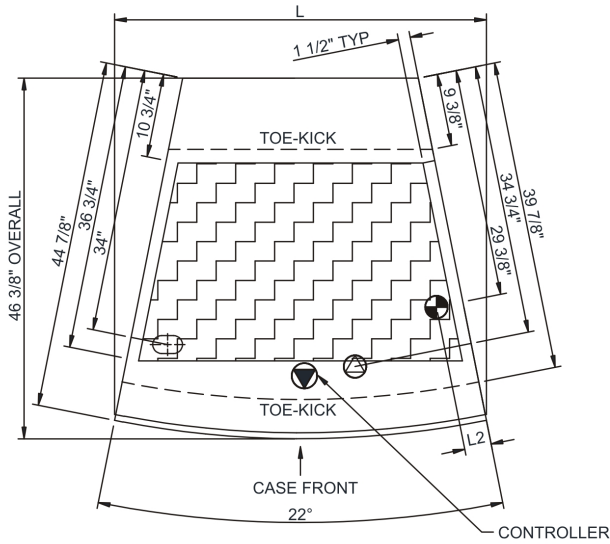
GLDSS443R.5741, GLDSS443R.6527, GLDSS443R(G).5741
 GLDSS443RC.5741.6527, GLDSS443RC.5741.7716 GLDSS543R.5741
 GLDSS543R.6527, GLDSS543R(G).5741, GLDSS543RC.5741.6527
 GLDSS543RC.5741.7716, GLDSS643R.5741, GLDSS643R.6527
 GLDSS643R(G).5741, GLDSS643RC.5741.6527, GLDSS643RC.5741.7716

NOTE: ALL DIMENSIONS APPROXIMATE

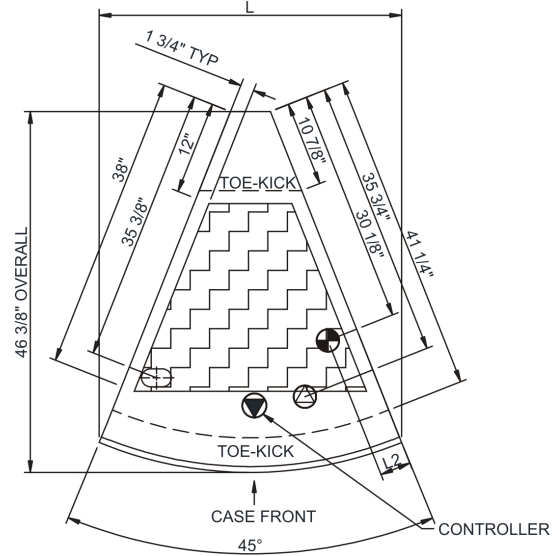
-  ELECTRICAL JUNCTION BOX (SUPPLIED WITH 6" LEADS OR POWER CORD).
-  REFRIGERATION LINE CONNECTION.
-  SELF-CONTAINED CASE SERVICE ACCESS AREA.
-  LOCATION OF DRAIN TUBE FOR REMOTE REF. ONLY (SUPPLIED WITH 3/4" OR 1 1/2" PVC TUBE).
-  REMOTE FLOOR SINK & UTILITIES ACCESS AREA.
-  DRY CASE SERVICE ACCESS AREA.

Cheese - GLDSS 43"H Refrigerated Low-Capacity Self-Service Case - Remote Glycol - Carbon Gray

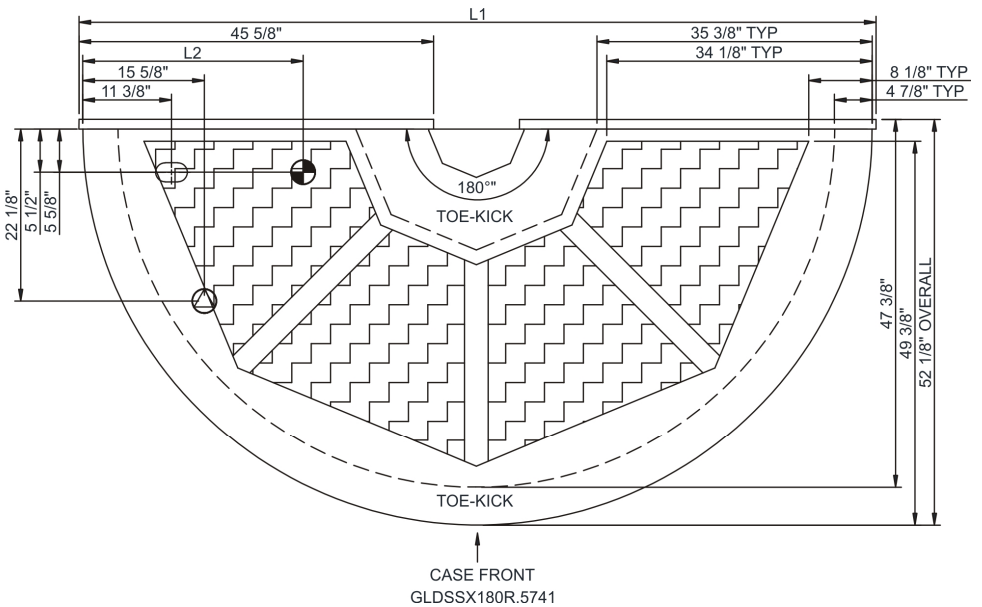
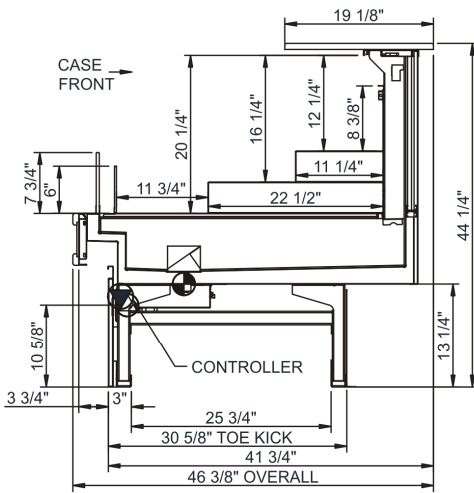
CONVEX / OUTSIDE CURVE



GLDSSX243R.5741, GLDSSX243R(G).5741, GLDSSX243R.6527, GLDSSX243R.5741.6527, GLDSSX243RC.5741.7716



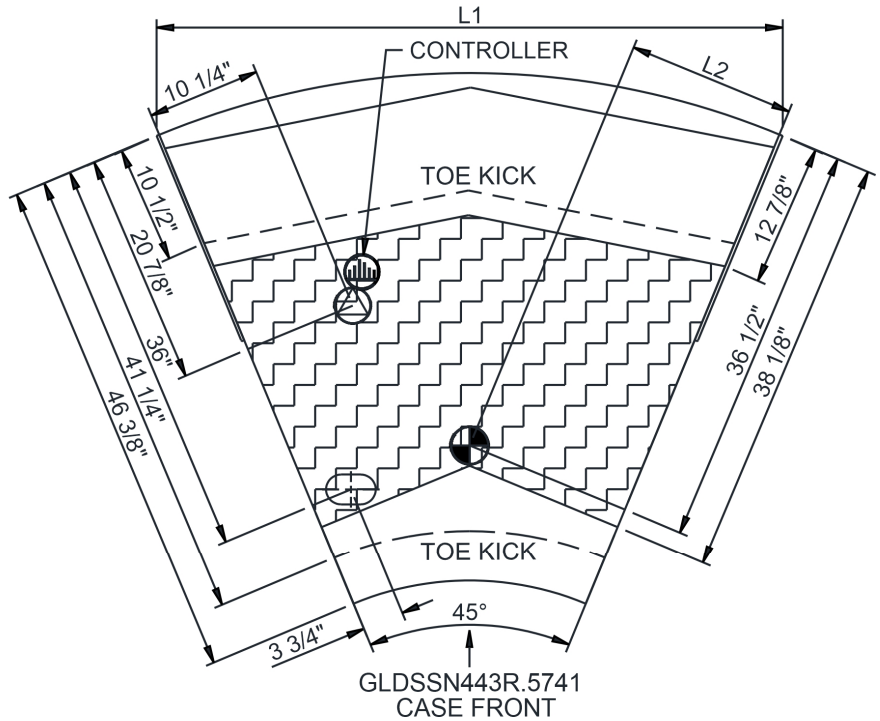
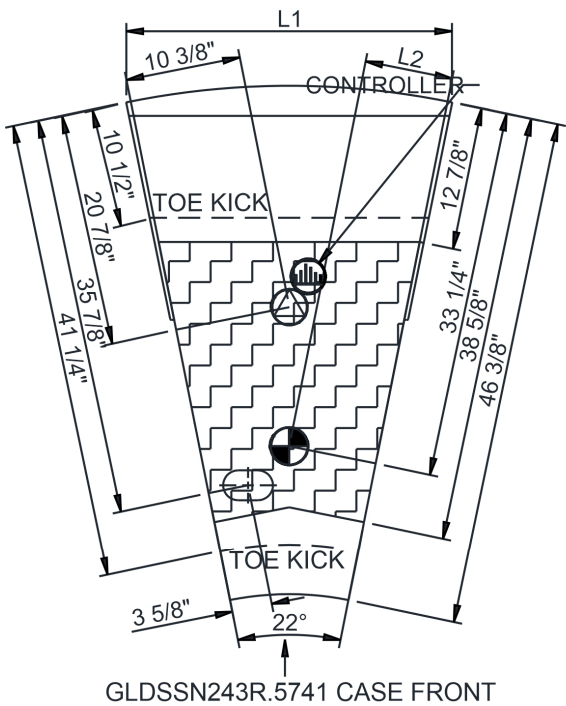
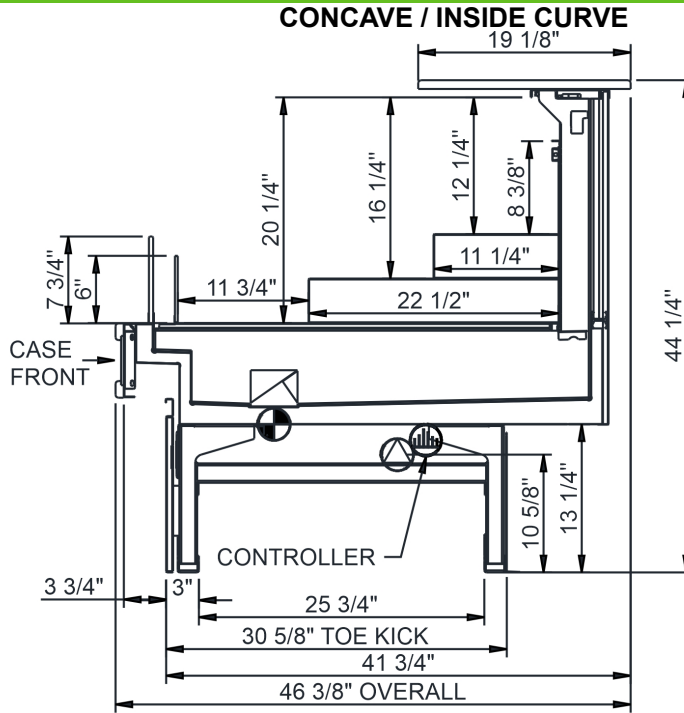
GLDSSX443R.5741, GLDSSX443R(G).5741, GLDSSX443R.6527, GLDSSX443RC.5741.6527, GLDSSX443RC.5741.7716



NOTE: ALL DIMENSIONS APPROXIMATE

-  ELECTRICAL JUNCTION BOX (SUPPLIED WITH 6" LEADS OR POWER CORD).
-  REFRIGERATION LINE CONNECTION.
-  SELF-CONTAINED CASE SERVICE ACCESS AREA.
-  LOCATION OF DRAIN TUBE FOR REMOTE REF. ONLY (SUPPLIED WITH 3/4" OR 1 1/2" PVC TUBE).
-  REMOTE FLOOR SINK & UTILITIES ACCESS AREA.
-  DRY CASE SERVICE ACCESS AREA.

Cheese - GLDSS 43"H Refrigerated Low-Capacity Self-Service Case - Remote Glycol - Carbon Gray



NOTE: ALL DIMENSIONS APPROXIMATE

- ⊗ ELECTRICAL JUNCTION BOX (SUPPLIED WITH 6" LEADS OR POWER CORD).
- ⊙ LOCATION OF DRAIN TUBE FOR REMOTE REF. ONLY (SUPPLIED WITH 3/4" OR 1 1/2" PVC TUBE).

- ⊕ REFRIGERATION LINE CONNECTION.
- ⊞ REMOTE FLOOR SINK & UTILITIES ACCESS AREA.

- ▨ SELF-CONTAINED CASE SERVICE ACCESS AREA.
- ▩ DRY CASE SERVICE ACCESS AREA.