

Fusion

Combination Prep/Ref Self-Service Case w/ Rear Storage - Remote DX w/ Controller

Structural Concepts®
DELIVERING FRESH. ALWAYS.™

- **GP441RR.5825.6527** 51"L x 51-3/8"D x 54-5/8"H

Included

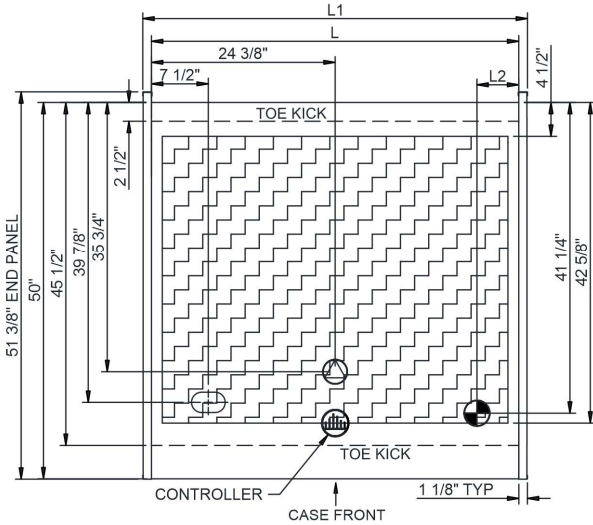
- Remote DX refrigeration



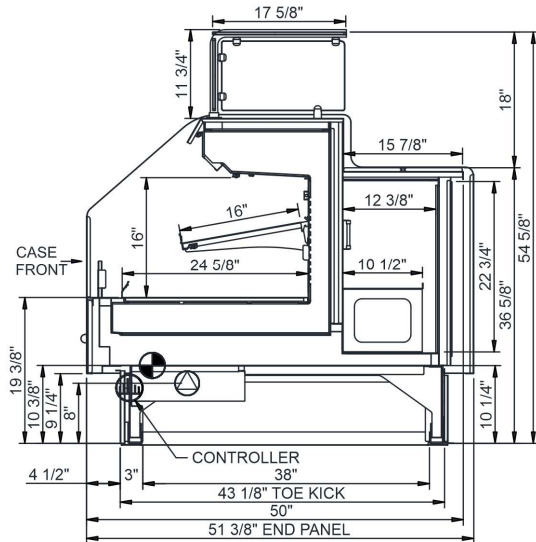
Specify	Standard Features	Additional Options
EXTERIOR COLOR	• Laminated (Xanadu)	• Laminated (Skyline Walnut)
INTERIOR COLOR	• Stainless steel	
TRIM COLOR	• Silver trim & sneeze guard posts	
BASE SUPPORT	• Rail system for shims	
BUMPER END	• None	• 1" bumper (black) (3 rows) • 1" bumper on ends (Gray) (3 rows)
BUMPER FRONT	• None	• 1" bumper on front (Gray) • 1" bumper on front (black)
END PANELS	• Full with mirror	
LOWER FRONT PANEL	• Black	
REAR STORAGE	• Refrigerated rear storage (w/doors)	
REAR WORK SURFACE	• White poly	
UPPER FRONT PANEL	• Laminated (Xanadu)	• Laminated (Skyline Walnut)
LOWER DISPLAY	• Solid shelves, lighted (LED)	
ELECTRICAL CONNECTION	• Leads	
REFRIGERATION	• Remote DX refrigeration w/ controller	

Intended Environment: Type I - Designed to operate in ambient conditions of 75°F with 55% relative humidity unless noted otherwise in system information below.		
Zone	Intended Product To Be Displayed	Warmest Avg Prod Temp ° F
1	Packaged / unpackaged refrigerated products-Prechilled to Warmest Avg Prod Temp.	38

PLAN VIEW



SIDE VIEW



MODEL	w/ CONTROLLER
GP441RR.5825.6527	REMOTE DX w/ DIXELL XM679
GP441RR.5825.7716	REMOTE DX w/ DANFOSS
GP441RRC.5825.6527	REMOTE CO2 w/ DIXELL XM670
GP441RRC.5825-B.7716	REMOTE CO2 w/ DANFOSS-GREENWISE
MODEL	w/o CONTROLLER
GP441RR.5825	REMOTE DX
GP441RRG.5825	REMOTE GLYCOL

NOTE: ALL DIMENSIONS APPROXIMATE

- ELECTRICAL JUNCTION BOX (SUPPLIED WITH 6" LEADS OR POWER CORD).
- LOCATION OF DRAIN TUBE FOR REMOTE REF. ONLY (SUPPLIED WITH 3/4" OR 1 1/2" PVC TUBE).

- REFRIGERATION LINE CONNECTION.
- REMOTE FLOOR SINK & UTILITIES ACCESS AREA.

- SELF-CONTAINED CASE SERVICE ACCESS AREA.
- DRY CASE SERVICE ACCESS AREA.

Model Technical Specifications

Model	L"	L1"	L2"	System Circuit Volts	Phs	Freq	Amps ***	Watts	Wires	NEMA Plug	SST	Conv. Rack BTUH	Para. Rack BTUH	Est Wt		
GP441RR.5825.6527	N/A	51.00	5.50	Remote (DX)	Circuit #1	110-120	1	60	1.86	113	2+G	Leads Single	26.00	4450	4120	980

*** Does not include electric defrost on freezer models.

Regulatory Approvals:

All Models
 Accordance with AHRI Std 1200
 ETL Listed to UL 471
 ETL Listed to CAN/CSA 22.2 No. 120
 ETL Sanitation to NSF/ANSI 7



In Accordance with
AHRI Std 1200

DOE 2017
Energy Efficiency
Compliant

Important Notes:

- 1) Units must be shimmed during installation to ensure unit is level and plumb.
- 2) Pans are not supplied with unit.

⚠ WARNING: This product can expose you to chemicals, including Urethane (Ethyl Carbamate), which are known to the State of California to cause cancer and birth defects or other reproductive harm. For more information go to www.P65Warnings.ca.gov.