

Blend

Refrigerated Self-Service Center Case

Structural Concepts®

DELIVERING FRESH. ALWAYS.™

- **NM4855RSSV** 47-3/4"L x 34-3/8"D x 55-3/8"H
- **NM6055RSSV** 59-3/4"L x 34-3/8"D x 55-3/8"H
- **NM7255RSSV** 71-3/4"L x 34-3/8"D x 55-3/8"H

Included

- Adjustable, locking casters
- Compressor air intake from lower front panel, out top rear discharge vent
- Digital fahrenheit thermometer
- LED top & shelf lights
- One piece formed ABS plastic tub
- One year parts & labor warranty
- Warmest average product temperature of 40°F or less



NM4855RSSV

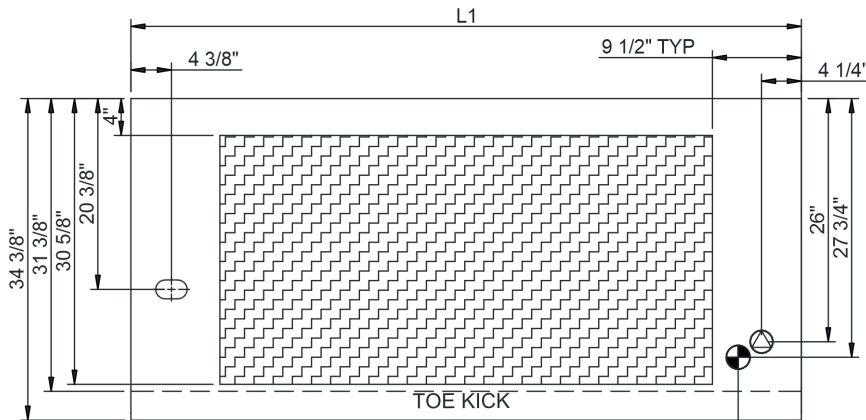
Specify	Standard Features	Additional Options
INTERIOR COLOR	• Powder coated Silversan Black	• Stainless steel
LOWER CLADDING COLOR	• Powder coated Silversan Black	• Laminate (non-stock colors) • Laminate (stock colors) • Powder coated (stock/non-stock colors) • Stainless steel
LOWER FRONT PANEL COLOR	• Powder coated Silversan Black	• Stainless steel
UPPER EXTERIOR COLOR	• Powder coated Silversan Black	• Powder coated (stock/non-stock colors) • Stainless steel
BUMPER	• 1" Boston bumper (specify color)	• 1" Stainless steel plate rail bumper • None
END PANELS	• None (specify per line-up)	• Full w/stainless steel mirror interior
PRICE TAG MOLDING	• None	• 1" Price tag molding (black or silver)
SHELVING	• (3) Levels solid, adjustable shelving	
LIGHTS	• LED 3500K w/ frosted lens	• LED 4000K w/ frosted lens
ELECTRICAL CONNECTION	• 6' Straight blade power cord (self-cont.)	• Electrical leads (remote)
REFRIGERATION	• Breeze~E (Type-II) self-contained refrigeration (front access)	¹ • Remote DX refrigeration ² • Remote DX w/thermostat, solenoid & TXV
SENSOR	• None	• CPC discharge air sensor (remote)
ACCESSORIES		• Clean Sweep® coil cleaner (self-cont.) • Night curtain, retractable, non-locking • Removable clear acrylic security cover, locking

Option Notes: 1 - Read important notes for remote options
2 - Read important notes for remote options

Intended Environment: Type II - Designed to operate in ambient conditions of 80°F and 55% relative humidity unless noted otherwise in system information below.

Zone	Intended Product To Be Displayed	Warmest Avg Prod Temp ° F
1	Packaged refrigerated products-Prechilled to Warmest Avg Prod Temp.	40

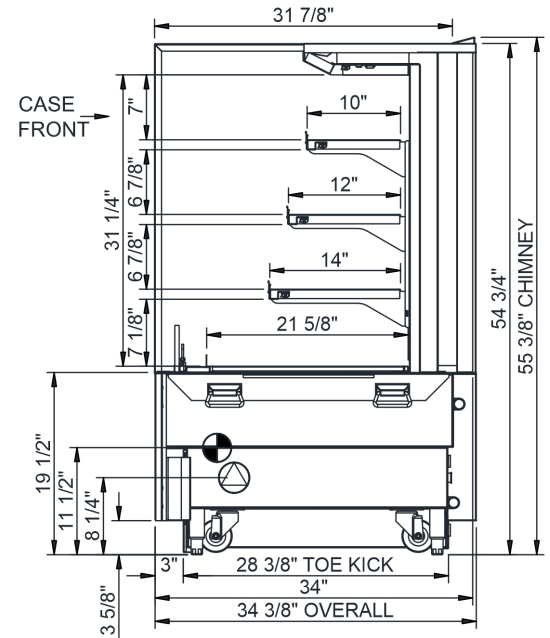
PLAN VIEW



CASE FRONT
 SELF-CONTAINED REFRIGERATION ACCESS
 ONLY BY PULLING OUT CONDENSER

COMPRESSOR AIR INTAKE FROM LOWER FRONT
 PANEL, OUT TOP REAR DISCHARGE VENT

SIDE VIEW



NOTE: ALL DIMENSIONS APPROXIMATE

- ELECTRICAL JUNCTION BOX (SUPPLIED WITH 6" LEADS OR POWER CORD).
- LOCATION OF DRAIN TUBE FOR REMOTE REF. ONLY (SUPPLIED WITH 3/4" OR 1 1/2" PVC TUBE).

- REFRIGERATION LINE CONNECTION.
- REMOTE FLOOR SINK & UTILITIES ACCESS AREA.

- SELF-CONTAINED CASE SERVICE ACCESS AREA.
- DRY CASE SERVICE ACCESS AREA.

Model Technical Specifications

Model	L"	L1"	L2"	System Circuit Volts		Phs	Freq	Amps ***	Watts	Wires	NEMA Plug	SST	Conv. Rack BTUH	Para. Rack BTUH	Est Wt	
NM4855RSSV	N/A	47.75	4.13	Remote (DX)	Circuit #1	110-120	1	60	1.56	80	2+G	Leads Single	20.00	4838	4480	950
				Self-Contained (R290)	Circuit #1	208-240	1	60	11.05	1,817	2+G	6-20P or L6-20P	N/A	N/A	N/A	
NM6055RSSV	N/A	59.75	4.13	Remote (DX)	Circuit #1	110-120	1	60	1.60	90	2+G	Leads Single	20.00	6026	5580	1,000
				Self-Contained (R290)	Circuit #1	208-240	1	60	16.00	2,805	2+G	6-20P or L6-20P	N/A	N/A	N/A	
NM7255RSSV	N/A	71.75	6.75	Remote (DX)	Circuit #1	110-120	1	60	1.64	102	2+G	Leads Single	20.00	7193	6660	1,100
				Self-Contained (R290)	Circuit #1	208-240	1	60	16.00	2,820	2+G	6-20P or L6-20P	N/A	N/A	N/A	

*** Does not include electric defrost on freezer models.

Regulatory Approvals:

All Models
 Accordance with AHRI Std 1200
 ETL Listed to UL 471
 ETL Listed to CAN/CSA 22.2 No. 120
 ETL Sanitation to NSF/ANSI 7



In Accordance with
AHRI Std 1200

DOE 2017
 Energy Efficiency
 Compliant

Important Notes:

- 1) REMOTE REFRIGERATION NOTE: Condensing unit not included, floor drain required.
- 2) ELECTRICAL NOTE: If GFCI is required, a GFCI breaker MUST be used in lieu of a GFCI receptacle.
- 3) Remove tool free front panel to fit through 36" door.
- 4) Back side of counter must be open or vented the full length of the unit to allow proper ventilation for the refrigeration system.
- 5) Glass warranty only applicable to first point of delivery.

⚠ WARNING: This product can expose you to chemicals, including Urethane (Ethyl Carbamate), which are known to the State of California to cause cancer and birth defects or other reproductive harm. For more information go to www.P65Warnings.ca.gov.