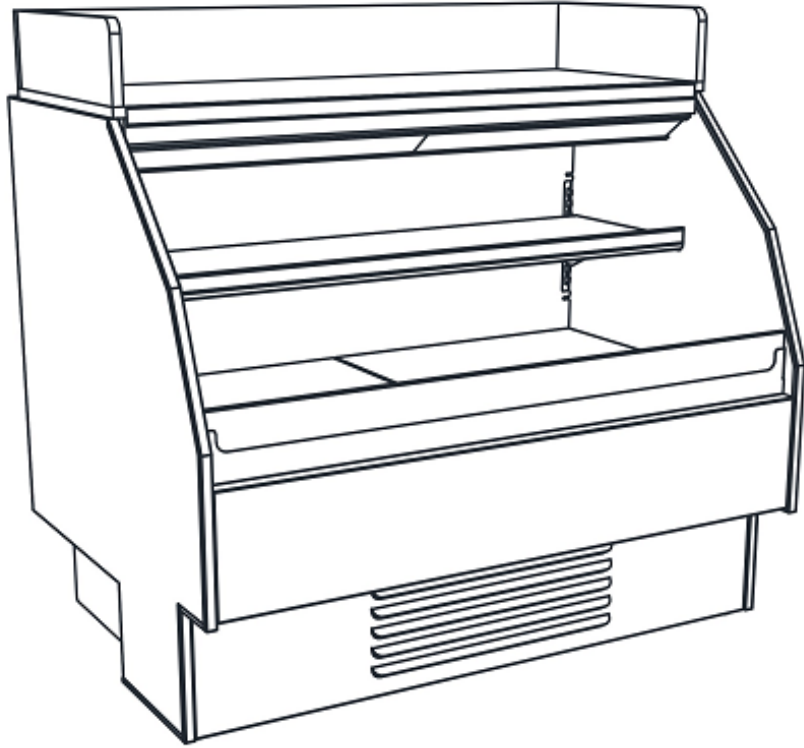


# Lobby - Refrigerated Self-Service Low Profile Case - Fits Maddix Shelving

## Models

HMO5142R.5721



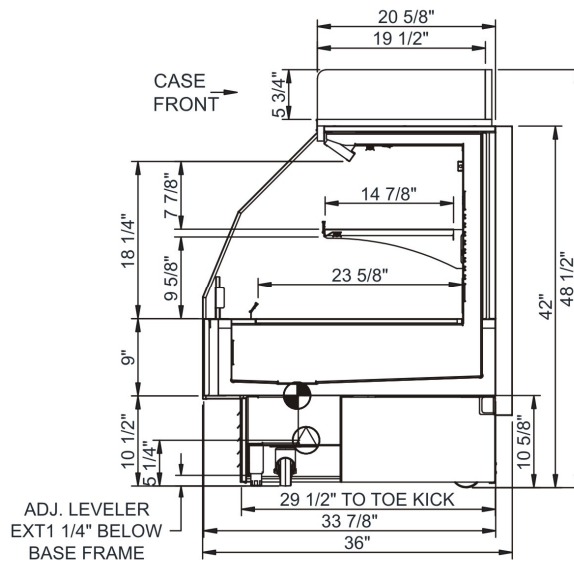
Features	Standard	Options
<b>EXTERIOR COLOR</b>	<input type="checkbox"/> Painted (Irish cream)	<input type="checkbox"/> Painted (Bronze Pearlescent) <input type="checkbox"/> Painted (Cafe Grey)
<b>INTERIOR COLOR</b>	<input type="checkbox"/> Stainless steel	
<b>BASE SUPPORT</b>	<input type="checkbox"/> Casters w/ levelers	
<b>ENDS</b>	<input type="checkbox"/> Full end panel w/mirror interior	
<b>LOWER FRONT</b>	<input type="checkbox"/> Flat front panel	
<b>LOWER DISPLAY</b>	<input type="checkbox"/> Solid shelves, lighted (LED)	
<b>UPPER DISPLAY</b>	<input type="checkbox"/> Display box (Blond Echo laminate)	<input type="checkbox"/> Display box (Asian Sun laminate) <input type="checkbox"/> Display Box (Portico Teak laminate)
<b>LIGHTS</b>	<input type="checkbox"/> LED top light(s)	
<b>ELECTRICAL CONNECT</b>	<input type="checkbox"/> 6' locking power cord (self-cont.)	
<b>EVAPORATOR PAN</b>	<input type="checkbox"/> Condensate pan (self-contained refig. only)	
<b>REFRIGERATION</b>	<input type="checkbox"/> Breeze™ w/EnergyWise s/c refrigeration	

## Applications

- Self-Service end cap for refrigerated items. Upper display box for non-refrigerated products.

# Lobby Refrigerated Self-Service Low Profile Case - Fits Maddix Shelving

Model	L x D x H (Lengths include end panels)
HMO5142R.5721	50-1/4"L x 36"D x 48-1/2"H



## IMPORTANT NOTES:

- 1) Compressor air front intake, rear discharge. Front panel cannot be blocked. Must remain 4" from wall

## WARNING

This product can expose you to chemicals including Urethane (Ethyl Carbamate), which are known to the State of California to cause cancer and birth defects or other reproductive harm. For more information go to [www.P65Warnings.ca.gov](http://www.P65Warnings.ca.gov).

## INTENDED ENVIRONMENT

Designed to operate in ambient conditions of 75°F with 55% relative humidity.

## WARMEST AVG PRODUCT TEMP

Zone	Temp (°F)
1	38

## INTENDED USE OF DISPLAY AREAS

Zone	Intended Use
1	Packaged refrigerated products

## Lobby - Refrigerated Self-Service Low Profile Case - Fits Maddix Shelving

DIMENSIONS / SHIPPING				
Model	L"	L1"	L2"	Est Wt (lbs)
HMO5142R.5721	N/A	50.250	4.625	N/A

ELECTRICAL															
Model	System Circuit Volts			Ph	Frq	Rated Load Amps	Min Cir Amps	Max OCP Amps	Watts	Wires	NEMA Plug	Amps Lights	Amps Fans	Amps Anti-Sweats	Amps Misc/Refrig/Heat
HMO5142R.5721	Self-Contained	Circuit #1	110-120	1	60	16.00	20	20	1,291	2+G	L5-15P	0.70	0.92	6.39	8.10

REFRIGERATION														
Model	Zone	Section	System	Envt	REMOTE REFRIGERATION					GLYCOL / R744 REFRIGERATION				
					SST (°F)	Conv. Rack BTUH	Para. Rack BTUH	Defrost Interval (Hrs)	Defrost Duration (Mins)	Total GPM	Pressure Drop (psi)	Concent (%)	Liquid Temp (°F)	
HMO5142R.5721	All	Main	Self-Contained-R513A	Type I	N/A	N/A	N/A	N/A	N/A	N/A	N/A	N/A	N/A	N/A

INTENDED ENVIRONMENT
Type I - Designed to operate in ambient conditions of 75°F with 55% relative humidity unless noted otherwise under Envt above.

IMPORTANT NOTES
1) Compressor air front intake, rear discharge. Front panel cannot be blocked. Must remain 4" from wall

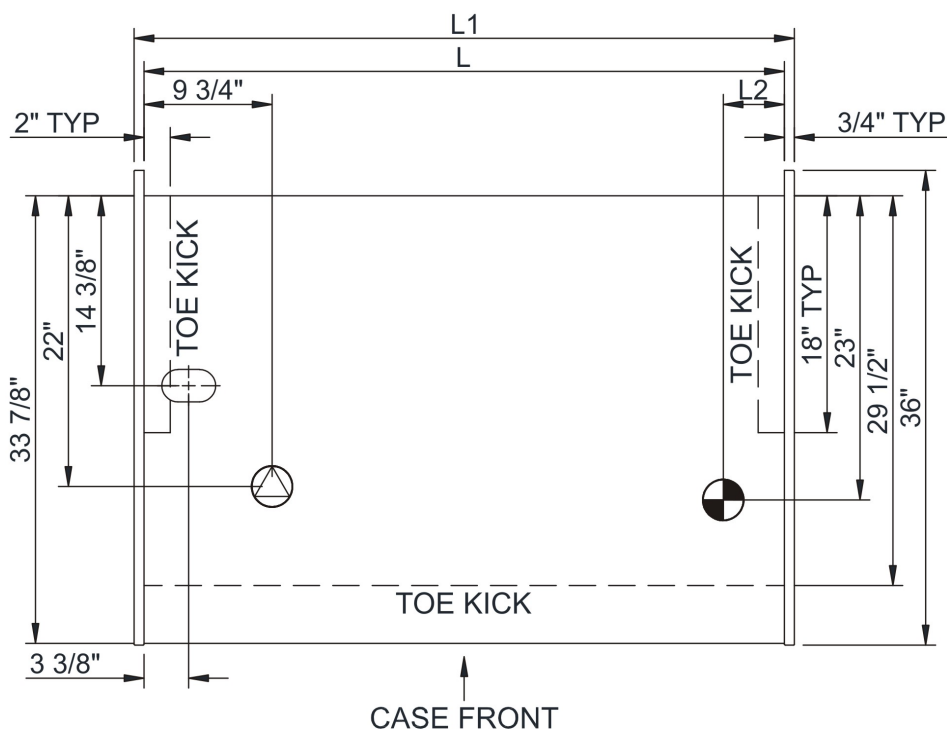
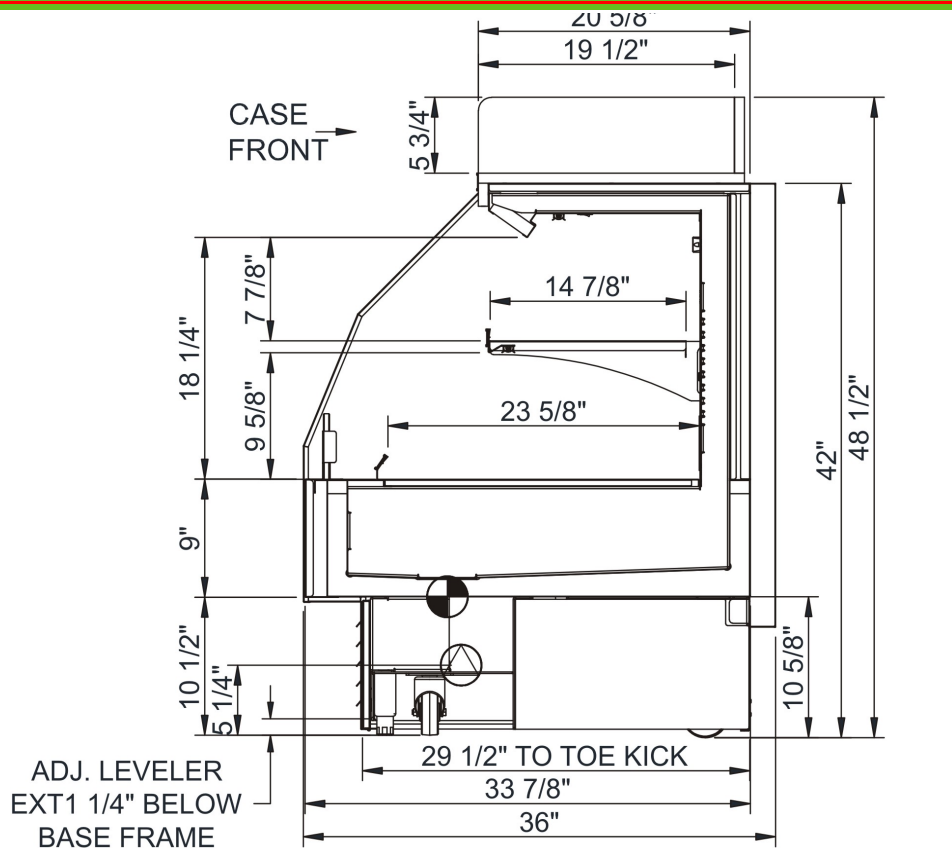
WARMEST AVERAGE PRODUCT TEMP & INTENDED USE OF ZONES		
Zone	Temp (°F)	Intended Use
1	38	Packaged refrigerated products

REGULATORY	
All Models	Accordance with AHRI Std 1200 ETL Listed to UL 471 ETL Sanitation to NSF 7



In Accordance with  
**AHRI Std 1200**

## Lobby - Refrigerated Self-Service Low Profile Case - Fits Maddix Shelving



NOTE: ALL DIMENSIONS APPROXIMATE

- ⊗ ELECTRICAL JUNCTION BOX (SUPPLIED WITH 6" LEADS OR POWER CORD).
- ⊙ REFRIGERATION LINE CONNECTION.
- ⊙ LOCATION OF DRAIN TUBE FOR REMOTE REF. ONLY (SUPPLIED WITH 3/4" OR 1 1/2" PVC TUBE).
- ⊙ REMOTE FLOOR SINK & UTILITIES ACCESS AREA.
- ⊙ SELF-CONTAINED CASE SERVICE ACCESS AREA.
- ⊙ DRY CASE SERVICE ACCESS AREA.