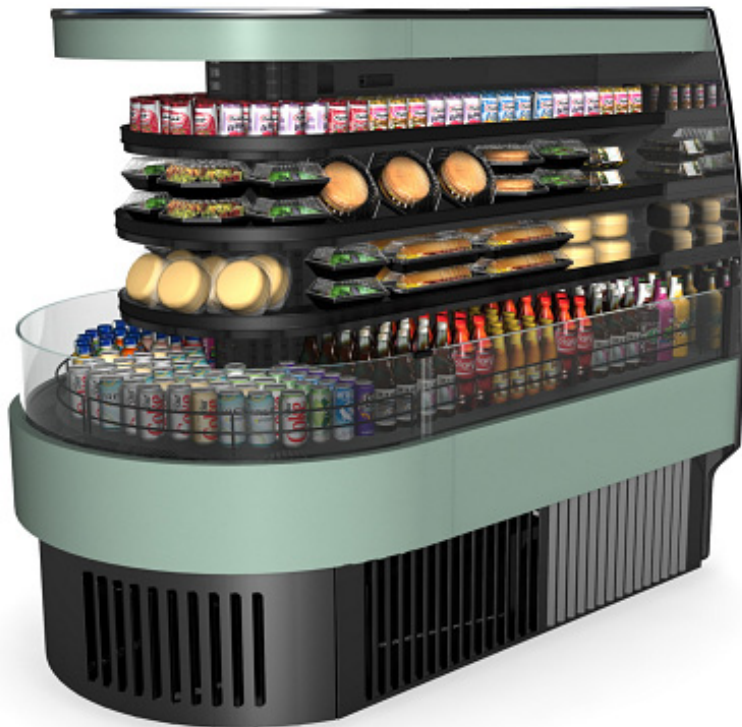


End Caps - FSE Type II Refrigerated End Cap Case - 63"H

Models

FSE663R



Conforms to NSF STD 7
TYPE II

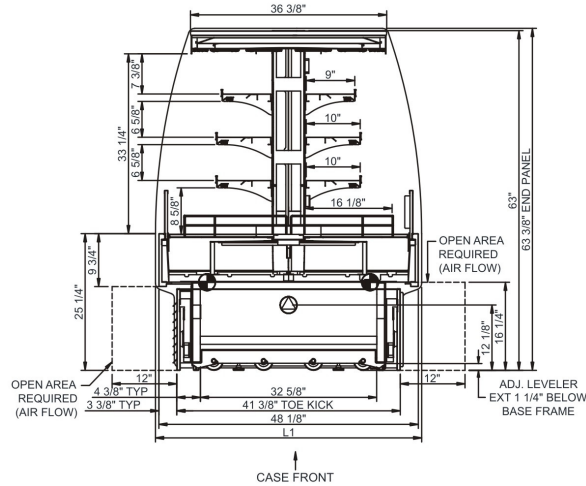
Features	Standard	Options
EXTERIOR COLOR	<input type="checkbox"/> Painted	<input type="checkbox"/> Laminated (confirm pattern/grain direction) <input type="checkbox"/> Stainless steel (includes lower front panel)
INTERIOR COLOR	<input type="checkbox"/> Black	<input type="checkbox"/> Stainless steel
LOWER FRONT PANEL COLOR	<input type="checkbox"/> Black	<input type="checkbox"/> Stainless steel (w/stainless ext. only)
BASE	<input type="checkbox"/> Levelers	
END PANEL	<input type="checkbox"/> Full end panel w/mirror interior	
SHELVING	<input type="checkbox"/> Non-adjustable solid shelves, non-lighted	<input type="checkbox"/> Non-adjustable solid shelves, lighted (LED)
LIGHTS	<input type="checkbox"/> LED top light(s)	
ELECTRICAL CONNECT	<input type="checkbox"/> Leads	<input type="checkbox"/> 6' power cord (self-cont.)
REFRIGERATION	<input type="checkbox"/> Remote DX refrigeration	<input type="checkbox"/> Breeze~E (Type-II) w/ EnergyWise s/c refrigeration
MISCELLANEOUS	<input type="checkbox"/> Price tag molding	

Applications

- Refrigerated self-service endcap for packaged products at end of counters, checkouts or grocery aisles
- Great for convenience stores & gas stations

End Caps FSE Type II Refrigerated End Cap Case - 63"H

Model	L x D x H (Lengths include end panels)
FSE663R	49-3/8"L x 73-3/8"D x 63-3/8"H



IMPORTANT NOTES:

- 1) Compressor air side intake and side discharge



WARNING:

This product can expose you to chemicals, including Urethane (Ethyl Carbamate), which are known to the state of California to cause cancer and birth defects or other reproductive harm. For more information go to www.P65Warnings.ca.gov.

INTENDED ENVIRONMENT

Designed to operate in ambient conditions of 80°F and 60% relative humidity.

WARMEST AVG PRODUCT TEMP

Zone	Temp (°F)
1	40

INTENDED USE OF DISPLAY AREAS

Zone	Intended Use
1	Packaged refrigerated products