

Grocerant Food Bars - FBSR 43"D Inline Refrigerated Service Case



Models

FB3S-2R
 FB4S-3R
 FB5S-4R
 FB6S-5R
 FB7S-6R
 FB9S-7R
 FB10S-8R
 FB4S-2RT
 FB6S-3RT

Applications

- One-sided inline service cold-well unit with drop-in refrigerated pans.

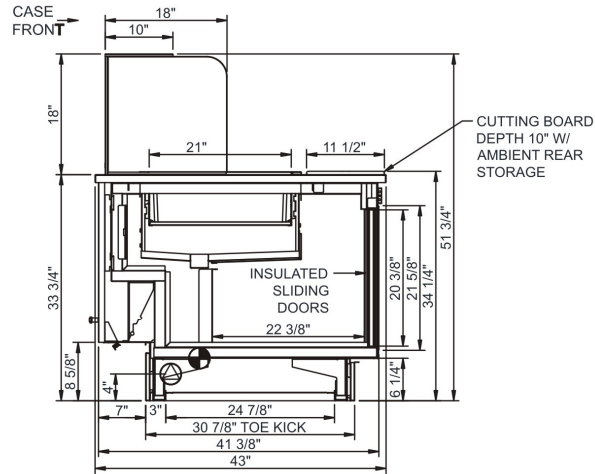
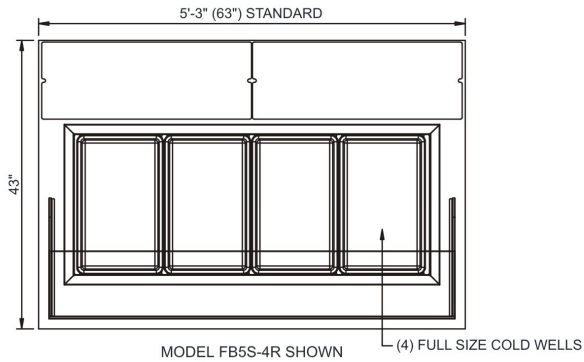
Features	Standard	Options
EXTERIOR COLOR	<input type="checkbox"/> Powder coated (specify color)	<input type="checkbox"/> Laminated (confirm pattern/grain direction) <input type="checkbox"/> Stainless steel
COUNTER	<input type="checkbox"/> Stainless steel top	<input type="checkbox"/> 3 cm. Quartz
FRONT TOE KICK HEIGHT	<input type="checkbox"/> 8-5/8" (matches G-Series 6" base)	<input type="checkbox"/> 12-5/8" (matches G-Series 10" base) <input type="checkbox"/> 15-5/8" (matches G-Series 13" base)
REAR STORAGE	<input type="checkbox"/> Refrigerated rear storage w/ sliding doors	<input type="checkbox"/> ¹ Non-refrigerated rear storage (w/o doors) <input type="checkbox"/> ² Non-refrigerated rear storage w/ sliding doors <input type="checkbox"/> Refrigerated rear storage w/drawers
WORK SURFACE	<input type="checkbox"/> White Sanalite®	
PANS	<input type="checkbox"/> None	<input type="checkbox"/> Stainless steel condiment pans w/covers <input type="checkbox"/> Stainless steel condiment pans w/o covers
SNEEZE GUARD	<input type="checkbox"/> UV bonded frameless glass (3" glass gaps case-to-case)	<input type="checkbox"/> Clear sneeze guard glass w/ stainless steel posts <input type="checkbox"/> ³ Continuous UV bonded frameless glass (no glass gaps case-to-case)
LIGHTING UPPER	<input type="checkbox"/> None	
REFRIGERATION	<input type="checkbox"/> Remote DX refrigeration	<input type="checkbox"/> Remote DX ref w/ coated coil <input type="checkbox"/> Remote DX w/liquid shut off valve & solenoid
MISCELLANEOUS		<input type="checkbox"/> Bumper front/ends <input type="checkbox"/> Scale stand w/receptacle (requires separate circuit)

Option Notes: 1 - Reduces Work Surface Depth
 2 - Reduces Work Surface Depth
 3 - Customer Field Installation Required

Grocerant Food Bars FBSR 43"D Inline Refrigerated Service Case

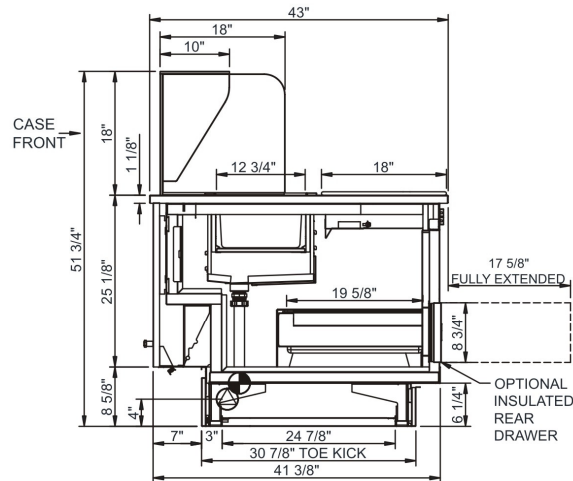
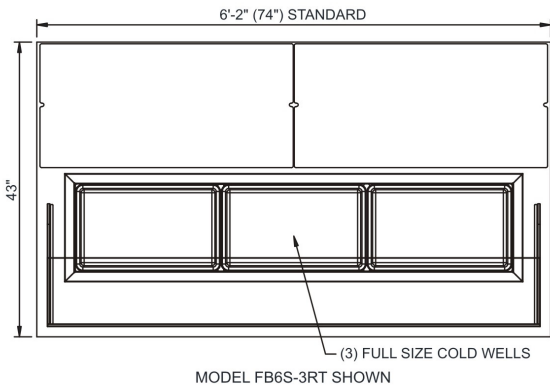
PANS FRONT/BACK

Model	L x D x H (Lengths include end panels)
FB3S-2R	37"L x 43"D x 51-3/4"H
FB4S-3R	50"L x 43"D x 51-3/4"H
FB5S-4R	63"L x 43"D x 51-3/4"H
FB6S-5R	76"L x 43"D x 51-3/4"H
FB7S-6R	89"L x 43"D x 51-3/4"H
FB9S-7R	102"L x 43"D x 51-3/4"H
FB10S-8R	115"L x 43"D x 51-3/4"H



PANS SIDE/SIDE

Model	L x D x H (Lengths include end panels)
FB4S-2RT	53"L x 43"D x 51-3/4"H
FB6S-3RT	74"L x 43"D x 51-3/4"H



IMPORTANT NOTES:

WARNING

This product can expose you to chemicals including Urethane (Ethyl Carbamate), which are known to the State of California to cause cancer and birth defects or other reproductive harm. For more information go to www.P65Warnings.ca.gov.

INTENDED ENVIRONMENT

Designed to operate in ambient conditions of 75°F with 55% relative humidity.

WARMEST AVG PRODUCT TEMP

Zone	Temp (°F)
1	40

INTENDED USE OF DISPLAY AREAS

Zone	Intended Use
1	Unpackaged refrigerated products

For more information on any of our products or services please visit us on the web at:

www.structuralconcepts.com

INFORMATION IS SUBJECT TO CHANGE WITHOUT NOTICE. Visit www.structuralconcepts.com for the most current specs.



888 E. Porter Rd. Muskegon, MI 49441

231-798-8888

