

Grocerant Food Bars - FBSSH 43"D Modular Inline Heated Self-Service Case

Models

FB8SS-6H
FB10SS-8H



Features	Standard	Options
EXTERIOR COLOR	<input type="checkbox"/> Powder coated (specify color)	<input type="checkbox"/> Laminated <input type="checkbox"/> Stainless steel
BUMPER FRONT	<input type="checkbox"/> None	<input type="checkbox"/> 1/2" Stainless steel rod bumper <input type="checkbox"/> 1" Stainless steel tube bumper <input type="checkbox"/> Boston bumper <input type="checkbox"/> Stainless steel plate rail bumper
COUNTER	<input type="checkbox"/> Stainless steel top	<input type="checkbox"/> 3 cm. Quartz
FRONT	<input type="checkbox"/> Flat front panel	<input type="checkbox"/> Recessed front package area
FRONT TOE KICK HEIGHT	<input type="checkbox"/> 8-5/8" (matches G-Series 6" base)	<input type="checkbox"/> 12-5/8" (matches G-Series 10" base) <input type="checkbox"/> 15-5/8" (matches G-Series 13" base)
REAR STORAGE	<input type="checkbox"/> Non-refrigerated rear storage (w/o doors)	<input type="checkbox"/> Heated rear storage drawers <input type="checkbox"/> Non-refrigerated rear storage w/ sliding doors
SNEEZE GUARD	<input type="checkbox"/> Clear lift-up sneeze guard glass w/ stainless steel posts	
LIGHTING UPPER	<input type="checkbox"/> LED top light	
HEATED WELLS	<input type="checkbox"/> Independently heated wells controlled by thermostat. Wet heat - Manual fill	<input type="checkbox"/> Dry heat <input type="checkbox"/> Wet heat - Auto fill
OVERHEAD HEAT	<input type="checkbox"/> Ceramic infrared heat (Required for bone-in meat products)	
MISCELLANEOUS		<input type="checkbox"/> Bumper on end <input type="checkbox"/> Skirt lights

Option Notes: 1 - N/A w/ 15-5/8" Toe kick

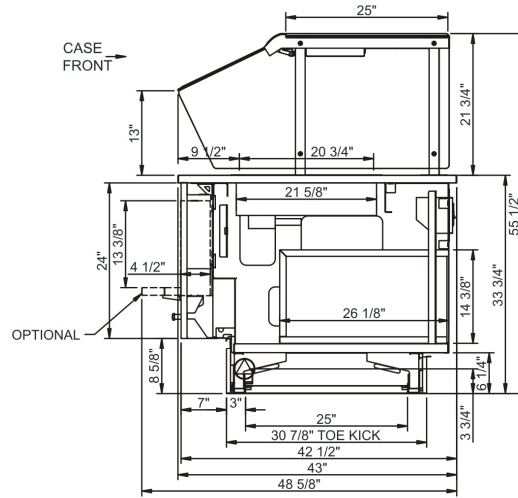
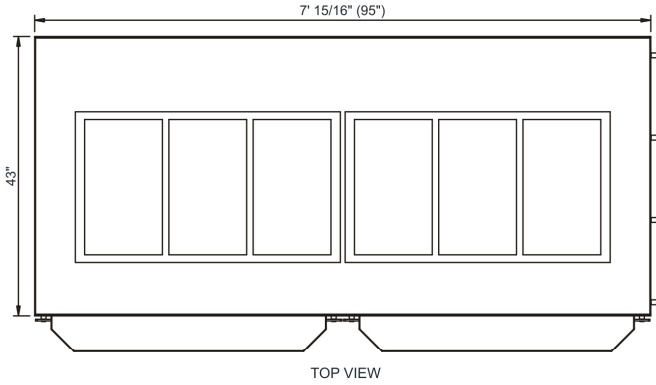
Applications

- One-sided inline self-service hot-well modular unit with drop-in heated pans.

Grocerant Food Bars FBSSH 43"D Modular Inline Heated Self-Service Case

PANS FRONT/BACK

Model	L x D x H (Lengths include end panels)
FB8SS-6H	95"L x 43"D x 55-1/2"H
FB10SS-8H	125"L x 43"D x 55-1/2"H



IMPORTANT NOTES:

WARNING

This product can expose you to chemicals including Urethane (Ethyl Carbamate), which are known to the State of California to cause cancer and birth defects or other reproductive harm. For more information go to www.P65Warnings.ca.gov.

INTENDED ENVIRONMENT

Designed to operate in ambient conditions of 75°F with 55% relative humidity.

WARMEST AVG PRODUCT TEMP

Zone	Temp (°F)
1	160

INTENDED USE OF DISPLAY AREAS

Zone	Intended Use
1	Unpackaged heated product