

Grocerant Food Bars - FBSSR 43"D Inline Refrigerated Self-Service Case

Models

FB3SS-2R
FB4SS-3R
FB6SS-4R
FB8SS-6R



Features	Standard	Options
EXTERIOR COLOR	<input type="checkbox"/> Powder coated (specify color)	<input type="checkbox"/> Laminated (confirm pattern/grain direction) <input type="checkbox"/> Stainless steel
COUNTER	<input type="checkbox"/> Stainless steel top	<input type="checkbox"/> 3 cm. Quartz
FRONT	<input type="checkbox"/> Flat front panel	<input type="checkbox"/> Recessed front package area
FRONT TOE KICK HEIGHT	<input type="checkbox"/> 8-5/8" (matches G-Series 6" base)	<input type="checkbox"/> 12-5/8" (matches G-Series 10" base) <input type="checkbox"/> 15-5/8" (matches G-Series 13" base)
REAR STORAGE	<input type="checkbox"/> Refrigerated rear storage w/ sliding doors	<input type="checkbox"/> Non-refrigerated rear storage (w/o doors) <input type="checkbox"/> Non-refrigerated rear storage w/ sliding doors <input type="checkbox"/> Refrigerated rear storage w/drawers
PANS	<input type="checkbox"/> None	<input type="checkbox"/> Stainless steel condiment pans w/covers <input type="checkbox"/> Stainless steel condiment pans w/o covers
SNEEZE GUARD	<input type="checkbox"/> Clear lift-up sneeze guard glass w/ stainless steel posts	
LIGHTING UPPER	<input type="checkbox"/> LED top light	
REFRIGERATION	<input type="checkbox"/> Remote DX refrigeration	<input type="checkbox"/> Remote DX ref w/ coated coil <input type="checkbox"/> Remote DX w/liquid shut off valve & solenoid
MISCELLANEOUS		<input type="checkbox"/> Bumper front/ends

Option Notes: 1 - N/A w/ 15-5/8" Toe kick

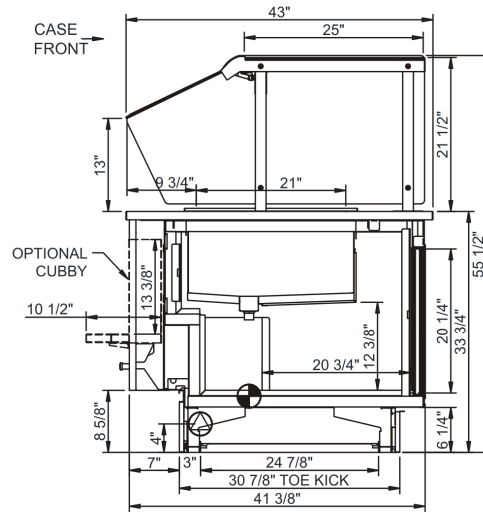
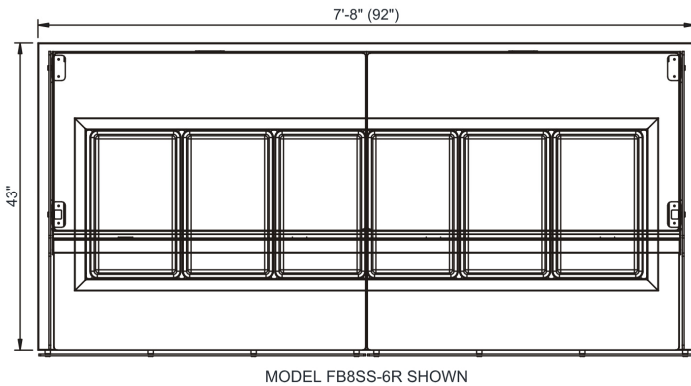
Applications

- One-sided inline self-service cold-well modular unit with drop-in refrigerated pans.

Grocerant Food Bars FBSSR 43"D Inline Refrigerated Self-Service Case

PANS FRONT/BACK

Model	L x D x H (Lengths include end panels)
FB3SS-2R	40"L x 43"D x 55-1/2"H
FB4SS-3R	53"L x 43"D x 55-1/2"H
FB6SS-4R	66"L x 43"D x 55-1/2"H
FB8SS-6R	92"L x 43"D x 55-1/2"H



IMPORTANT NOTES:

⚠ WARNING

This product can expose you to chemicals including Urethane (Ethyl Carbamate), which are known to the State of California to cause cancer and birth defects or other reproductive harm. For more information go to www.P65Warnings.ca.gov.

INTENDED ENVIRONMENT

Designed to operate in ambient conditions of 75°F with 55% relative humidity.

WARMEST AVG PRODUCT TEMP

Zone	Temp (°F)
1	40

INTENDED USE OF DISPLAY AREAS

Zone	Intended Use
1	Unpackaged refrigerated products

For more information on any of our products or services please visit us on the web at:

www.structuralconcepts.com

INFORMATION IS SUBJECT TO CHANGE WITHOUT NOTICE. Visit www.structuralconcepts.com for the most current specs.

