

Specialty - CO Refrigerated Self-Service Counter Case

Models

CO33R
CO43R
CO53R
CO63R

Conforms to NSF STD 7
TYPE II



OPT = UNDERCOUNTER HEIGHT (-UC) / 32-3/4"H



OPT = COUNTER HEIGHT (-CH) / 33-3/4"H

STD = FREESTANDING (-FS) / 33-3/4"H

| Features | Standard | Options |
|----------------------------|------------------------------------------------------------------------------------------------------------------------------------------------------|-------------------------------------------------------------------------------------------------------------------------------------------------------------------------------------------------------------------------------------------------------------------------------------------------------------------------------------------------------------------------------------------------|
| MODEL CONFIGURATION | <input type="checkbox"/> Freestanding (-FS) Counter ht. 33-3/4"H; freestanding unit w/2 end panels. Top & front panels positioned between end panels | <input type="checkbox"/> Counter height (-CH) Counter ht. 33-3/4"H; Top & front panels extended over end panels to blend w/adj. counters (supplied by others) <input type="checkbox"/> Undercounter height (-UC) Undercounter ht. 32-3/4"H; front panel extends over end panels to blend w/adj. counters (supplied by others). Counter surface (supplied by others) extends over top of unit |
| EXTERIOR COLOR | <input type="checkbox"/> Laminated (non-premium) Confirm pattern/grain direction | <input type="checkbox"/> Laminated (premium) Confirm pattern/grain direction <input type="checkbox"/> Stainless steel exterior |
| INTERIOR COLOR | <input type="checkbox"/> Black interior | <input type="checkbox"/> Stainless steel interior |
| BASE | <input type="checkbox"/> Casters w/ levelers | |
| END PANEL LEFT | <input type="checkbox"/> Square full end panel w/mirror | <input type="checkbox"/> Curved end panel w/mirror (-FS model only) |
| END PANEL RIGHT | <input type="checkbox"/> Square full end panel w/mirror | <input type="checkbox"/> Curved end panel w/mirror (-FS model only) |
| EXTERIOR BACK PANEL | <input type="checkbox"/> Solid back panel, black | <input type="checkbox"/> Solid back panel, stainless steel <input type="checkbox"/> Solid rear flip-down door(s) w/ lock (rear access only) |
| FRONT PANEL | <input type="checkbox"/> Flat front panel | |
| LIGHTS | <input type="checkbox"/> LED top light | |
| ELECTRICAL CONNECT | <input type="checkbox"/> 6' straight blade power cord (self-cont.) | <input type="checkbox"/> 6' locking power cord (self-cont.) <input type="checkbox"/> Electrical leads (remote) |
| REFRIGERATION | <input type="checkbox"/> Remote DX refrigeration (rear access) | <input type="checkbox"/> Breeze~E (Type-II) w/ EnergyWise s/c refrigeration (front access)(w/ 2"D open rear wall spacer) <input type="checkbox"/> Breeze~E (Type-II) w/ EnergyWise s/c refrigeration (rear access) <input type="checkbox"/> Remote DX refrigeration (front access) |
| ACCESSORIES | | <input type="checkbox"/> 2"D Full chimney rear wall spacer (front access only) <input type="checkbox"/> 2"H Full depth display riser(s) for lower display <input type="checkbox"/> Clean Sweep® coil cleaner (n/a w/remote) <input type="checkbox"/> Night curtain, retractable, non-locking <input type="checkbox"/> Solid security cover, removable, locking |

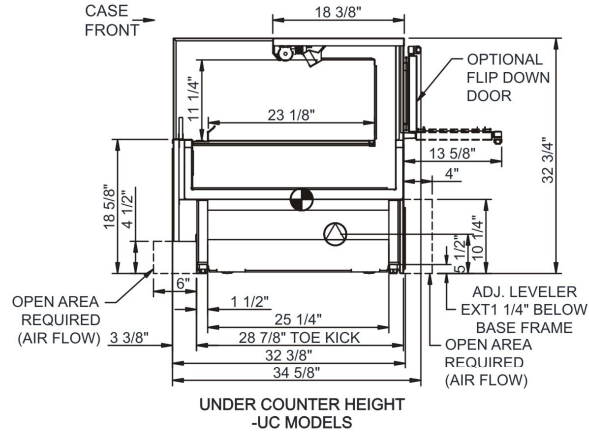
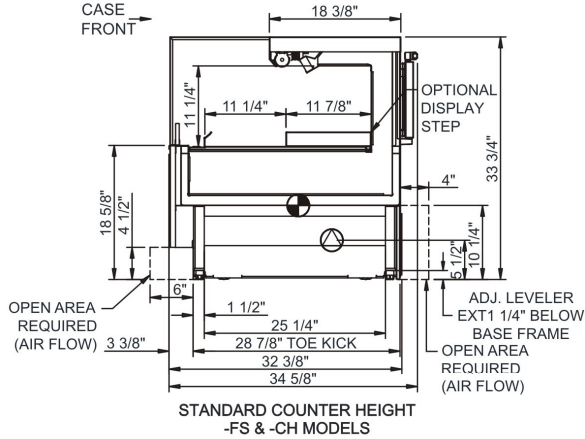
Std Notes: 1 - See tech spec for remote load reqmts

Applications

- Refrigerated self-service grab & go merchandiser for packaged products.
- NOTE: Add suffix to model number listed above based on model configuration chosen

Specialty CO Refrigerated Self-Service Counter Case

| Model | L x D x H (Lengths include end panels) |
|-------|-------------------------------------------|
| CO33R | 36-1/4"L x 32-3/8"D x 33-3/4"H |
| CO43R | 47-1/4"L x 32-3/8"D x 33-3/4"H |
| CO53R | 59-1/4"L x 32-3/8"D x 33-3/4"H |
| CO63R | 71-1/4"L x 32-3/8"D x 33-3/4"H |



IMPORTANT NOTES:

- 1) ELECTRICAL NOTE: If GFCI is required, a GFCI breaker MUST be used in lieu of a GFCI receptacle
- 2) 33" Minimum entry door clearance required (w/out shipping skid)
- 3) Performance issues (product temperatures, water on floor, etc.) caused by adverse conditions are not covered by warranty.
- 4) Keep unit at least 15' from exterior doors, overhead HVAC vents, or any air curtain disruption.
- 5) Do not expose unit to direct sunlight or any heat source (ovens, fryers, etc.).
- 6) Compressor air rear intake, front discharge at toe kick. Front and rear panels cannot be blocked. Must remain 4" from wall



WARNING:

This product can expose you to chemicals, including Urethane (Ethyl Carbamate) which are known to the state of California to cause cancer and birth defects or reproductive harm. **DESIGNED TO OPERATE IN AMBIENT CONDITIONS OF 80°F AND 60% RELATIVE HUMIDITY.**
www.P65Warnings.ca.gov.

WARMEST AVG PRODUCT TEMP

| Zone | Temp (°F) |
|------|-----------|
| 1 | 40 |

INTENDED USE OF DISPLAY AREAS

| Zone | Intended Use |
|------|--------------------------------|
| 1 | Packaged refrigerated products |

For more information on any of our products or services please visit us on the web at:

www.structuralconcepts.com

INFORMATION IS SUBJECT TO CHANGE WITHOUT NOTICE. Visit www.structuralconcepts.com for the most current specs.



888 E. Porter Rd. Muskegon, MI 49441

231-798-8888

Revised 12/2/2019

