

## Grocerant Food Bars - FBSSR 43"D Inline Refrigerated Self-Service Case

DIMENSIONS / SHIPPING				
Model	L"	L1"	L2"	Est Wt (lbs)
FB3SS-2R	N/A	40.000	7.875	N/A
FB4SS-3R	N/A	53.000	7.875	N/A
FB6SS-4R	N/A	66.000	7.875	N/A
FB8SS-6R	N/A	92.000	7.875	N/A

ELECTRICAL															
Model	System Circuit Volts			Ph	Frq	Rated Load Amps	Min Cir Amps	Max OCP Amps	Watts	Wires	NEMA Plug	Amps Lights	Amps Fans	Amps Anti-Sweats	Amps Misc/Refrig/Heat
FB3SS-2R	Remote(DX)-Type I Env	Circuit #1	110-120	1	60	1.76	15	15	68	2+G	Leads Multiple	0.70	0.70	0.36	N/A
FB4SS-3R	Remote(DX)-Type I Env	Circuit #1	110-120	1	60	1.87	15	15	99	2+G	Leads Multiple	0.70	0.70	0.47	N/A
FB6SS-4R	Remote(DX)-Type I Env	Circuit #1	110-120	1	60	2.67	15	15	116	2+G	Leads Multiple	1.40	0.70	0.57	N/A
FB8SS-6R	Remote(DX)-Type I Env	Circuit #1	110-120	1	60	2.89	15	15	172	2+G	Leads Multiple	1.40	0.70	0.79	N/A

REFRIGERATION														
Model	Zone	Section	System	Envt	REMOTE REFRIGERATION					GLYCOL / R744 REFRIGERATION				
					SST (°F)	Conv. Rack BTUH	Para. Rack BTUH	Defrost Interval (Hrs)	Defrost Duration (Mins)	Total GPM	Pressure Drop (psi)	Concent (%)	Liquid Temp (°F)	
FB3SS-2R	All	Refrigerator	Remote-DX-Type I Env	Type I	20	1,123	1,040	4.00	30.00	N/A	N/A	N/A	N/A	N/A
FB4SS-3R	All	Refrigerator	Remote-DX-Type I Env	Type I	20	1,296	1,200	4.00	30.00	N/A	N/A	N/A	N/A	N/A
FB6SS-4R	All	Refrigerator	Remote-DX-Type I Env	Type I	20	1,469	1,360	4.00	30.00	N/A	N/A	N/A	N/A	N/A
FB8SS-6R	All	Refrigerator	Remote-DX-Type I Env	Type I	20	1,814	1,680	4.00	30.00	N/A	N/A	N/A	N/A	N/A

**INTENDED ENVIRONMENT**  
 Type I - Designed to operate in ambient conditions of 75°F with 55% relative humidity unless noted otherwise under Envt above.

**IMPORTANT NOTES**

WARMEST AVERAGE PRODUCT TEMP & INTENDED USE OF ZONES		
Zone	Temp (°F)	Intended Use
1	40	Unpackaged refrigerated products

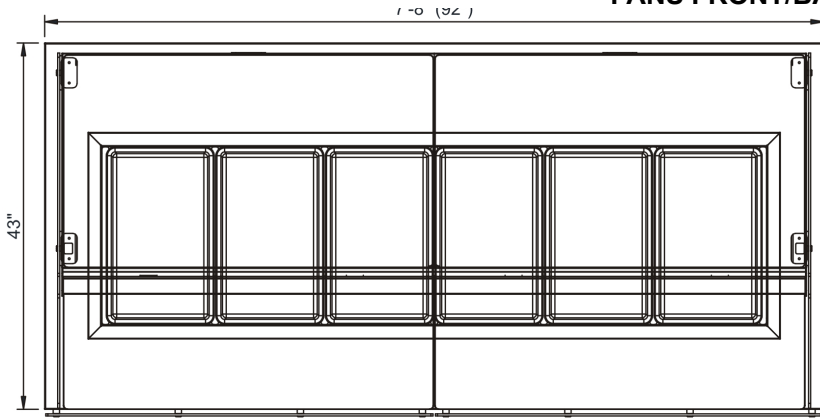
REGULATORY	
All Models	Accordance with AHRI Std 1200 ETL Listed to UL 471 ETL Listed to CAN/CSA 22.2 No. 120 ETL Sanitation to NSF/ANSI 7



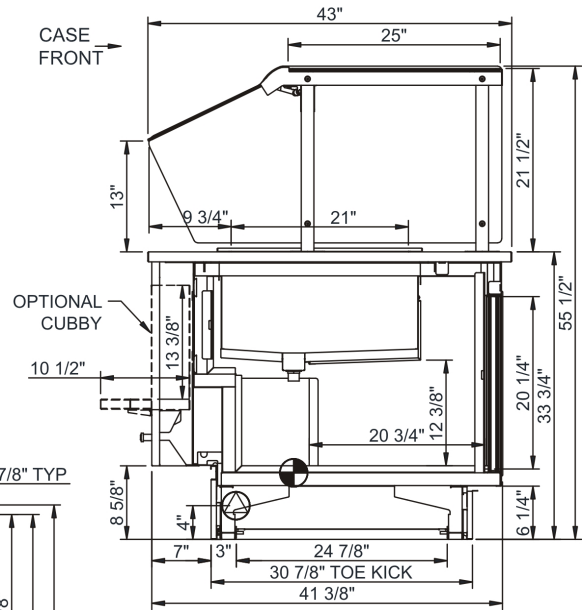
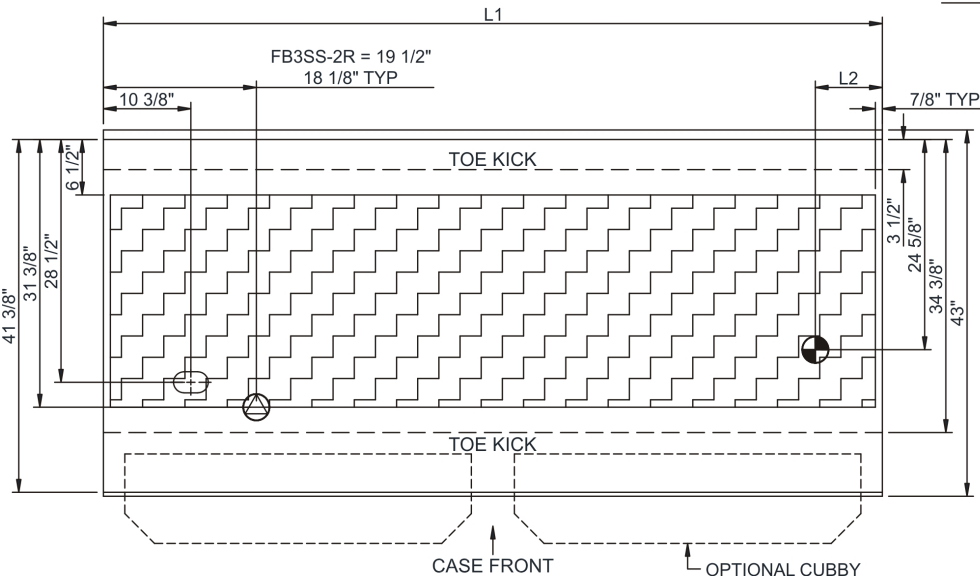
In Accordance with  
**AHRI Std 1200**

## Grocerant Food Bars - FBSSR 43"D Inline Refrigerated Self-Service Case



### PANS FRONT/BACK



MODEL FB8SS-6R SHOWN



NOTE: ALL DIMENSIONS APPROXIMATE

-  ELECTRICAL JUNCTION BOX (SUPPLIED WITH 6" LEADS OR POWER CORD).
-  LOCATION OF DRAIN TUBE FOR REMOTE REF. ONLY (SUPPLIED WITH 3/4" OR 1 1/2" PVC TUBE).

-  REFRIGERATION LINE CONNECTION.
-  REMOTE FLOOR SINK & UTILITIES ACCESS AREA.

-  SELF-CONTAINED CASE SERVICE ACCESS AREA.
-  DRY CASE SERVICE ACCESS AREA.