

Encore Series - HVB Non-Refrigerated Self-Service Pull-Out Drawer Case

Models

HVB38SS
HVB56SS
HVB74SS



Features	Standard	Options
EXTERIOR COLOR	<input type="checkbox"/> Powder coated (specify color)	<input type="checkbox"/> Laminated (confirm pattern/grain direction)
INTERIOR COLOR	<input type="checkbox"/> Black	<input type="checkbox"/> White
REAR EXTERIOR COLOR	<input type="checkbox"/> White	<input type="checkbox"/> Black <input type="checkbox"/> Stainless steel
TRIM COLOR	<input type="checkbox"/> Black	<input type="checkbox"/> Silver
END PANELS	<input type="checkbox"/> None (specify per line-up)	<input type="checkbox"/> Full with mirror
FRONT	<input type="checkbox"/> Stay-open pull-out drawers	
BASKETS	<input type="checkbox"/> 4"H Chrome wire baskets	<input type="checkbox"/> 1 1/2"H Black wire baskets <input type="checkbox"/> 1 1/2"H Chrome wire baskets <input type="checkbox"/> 4"H Black wire baskets
REAR DOORS	<input type="checkbox"/> Clear glass rear sliding doors	<input type="checkbox"/> Reflective glass rear sliding doors <input type="checkbox"/> Solid back panel
LIGHTS	<input type="checkbox"/> LED top & shelf lights	
ELECTRICAL CONNECT	<input type="checkbox"/> Leads	<input type="checkbox"/> 12" power cord
MISCELLANEOUS	<input type="checkbox"/> Tissue box holder	<input type="checkbox"/> 1" bumper on front & ends <input type="checkbox"/> Clear plastic basket liners <input type="checkbox"/> Tongs

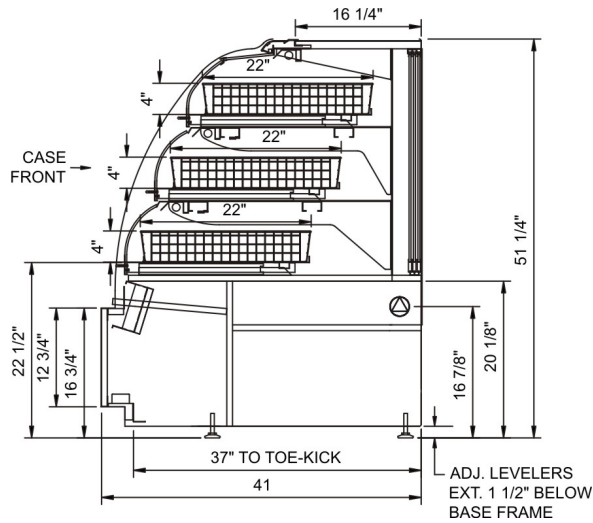
Applications

- Self-service merchandiser with pull-out drawers for non-refrigerated bakery items.

Encore Series HVB Non-Refrigerated Self-Service Pull-Out Drawer Case

STANDARD

Model	L x D x H (Lengths do not include 1" end panels)
HVB38SS	38"L x 41"D x 51-1/4"H
HVB56SS	56"L x 41"D x 51-1/4"H
HVB74SS	74"L x 41"D x 51-1/4"H



IMPORTANT NOTES:

- 1) 42" minimum door entry clearance required (without shipping skid).
- 2) Units are supplied with levelers which must be adjusted during installation to ensure the unit is level and plumb.
- 3) Dimensions reflect levelers extended 1-1/4".



WARNING:

This product can expose you to chemicals, including Urethane (Ethyl Carbamate), which are known to the state of California to cause cancer and birth defects or other reproductive harm. For more information go to www.P65Warnings.ca.gov.

INTENDED ENVIRONMENT

Designed to operate in ambient conditions of 75°F with 55% relative humidity.

WARMEST AVG PRODUCT TEMP

Zone	Temp (°F)
1	Ambient

INTENDED USE OF DISPLAY AREAS

Zone	Intended Use
1	Unpackaged non-refrigerated products

For more information on any of our products or services please visit us on the web at:

www.structuralconcepts.com

INFORMATION IS SUBJECT TO CHANGE WITHOUT NOTICE. Visit www.structuralconcepts.com for the most current specs.



888 E. Porter Rd. Muskegon, MI 49441

231-798-8888

Revised 8/8/2019