

# G Series - GHSSV 52"H Refrigerated High-Capacity Self-Service Case - Vertical Profile

## Models

GHSSV452RLB  
 GHSSV552RLB  
 GHSSV652RLB  
 GHSSV852RLB  
 GHSSV1052RLB  
 GHSSV1252RLB



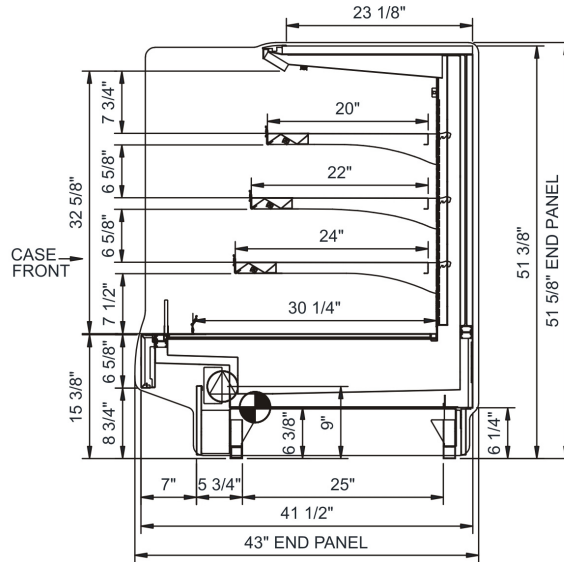
## Applications

- Self-service merchandiser for refrigerated packaged deli, bakery or beverage items.

Features	Standard	Options
<b>ALUM EXTRUSION COLOR</b>	<input type="checkbox"/> Black	<input type="checkbox"/> Silver
<b>EXTERIOR COLOR</b>	<input type="checkbox"/> Powder coated (specify color)	<input type="checkbox"/> Laminated (confirm pattern/grain direction) <input type="checkbox"/> Stainless steel
<b>INTERIOR COLOR</b>	<input type="checkbox"/> Black	<input type="checkbox"/> Stainless steel <input type="checkbox"/> White
<b>REAR EXTERIOR COLOR</b>	<input type="checkbox"/> Stainless steel	<input type="checkbox"/> Black <input type="checkbox"/> Powder coated (specify color) <input type="checkbox"/> White
<b>BASE</b>	<input type="checkbox"/> Rail system for shims	<input type="checkbox"/> 6"H legs
<b>CASE PROFILE</b>	<input type="checkbox"/> Vertical	
<b>END PANELS</b>	<input type="checkbox"/> None (specify per line-up)	<input type="checkbox"/> Case to case cutaway end <input type="checkbox"/> Case to case full end <input type="checkbox"/> Cutaway w/ glass <input type="checkbox"/> Full with mirror
<b>TOP BOARD</b>	<input type="checkbox"/> Powder coated (specify color)	<input type="checkbox"/> Laminated (confirm pattern/grain direction) <input type="checkbox"/> Quartz (specify color) <input type="checkbox"/> Solid surface (specify color) <input type="checkbox"/> Stainless steel
<b>UPPER REAR</b>	<input type="checkbox"/> Solid back panel	<input type="checkbox"/> Solid rear swinging doors
<b>SHELVING</b>	<input type="checkbox"/> (3) Lighted solid shelves	<input type="checkbox"/> (3) Lighted clear glass shelves
<b>LIGHTS</b>	<input type="checkbox"/> LED top light(s)	
<b>ELECTRICAL CONNECT</b>	<input type="checkbox"/> Leads	
<b>REFRIGERATION</b>	<input type="checkbox"/> Remote DX refrigeration	<input type="checkbox"/> Coated evaporator coil <input type="checkbox"/> Remote Glycol refrigeration
<b>MISCELLANEOUS</b>		<input type="checkbox"/> Bumper front/ends <input type="checkbox"/> Drain strainer <input type="checkbox"/> Price tag molding <input type="checkbox"/> Sneeze guard with stainless posts <input type="checkbox"/> Top mount scale stand w/receptacle

# G Series GHSSV 52"H Refrigerated High-Capacity Self-Service Case - Vertical Profile

Model	L x D x H (Lengths do not include 1-1/8" end panels)
GHSSV452RLB*	48-3/4"L x 43"D x 51-5/8"H
GHSSV552RLB*	60-5/8"L x 43"D x 51-5/8"H
GHSSV652RLB	73-1/8"L x 43"D x 51-5/8"H
GHSSV852RLB	97-1/2"L x 43"D x 51-5/8"H
GHSSV1052RLB	121-1/8"L x 43"D x 51-5/8"H
GHSSV1252RLB*	146-1/4"L x 43"D x 51-5/8"H



## IMPORTANT NOTES:

1) Units must be shimmed during installation to ensure the unit is level and plumb.



### WARNING:

This product can expose you to chemicals, including Urethane (Ethyl Carbamate), which are known to the state of California to cause cancer and birth defects or other reproductive harm. For more information go to [www.P65Warnings.ca.gov](http://www.P65Warnings.ca.gov).

## INTENDED ENVIRONMENT

Designed to operate in ambient conditions of 75°F with 55% relative humidity.

## WARMEST AVG PRODUCT TEMP

Zone	Temp (°F)
1	40

## INTENDED USE OF DISPLAY AREAS

Zone	Intended Use
1	Packaged refrigerated products

\* Additional lead-time required

INFORMATION IS SUBJECT TO CHANGE WITHOUT NOTICE. Visit [www.structuralconcepts.com](http://www.structuralconcepts.com) for the most current specs.

