

G Series - GHSV 56"H Refrigerated High-Capacity Service Case w/ Vertical Glass

Models

GHSV456RLB
 GHSV556RLB
 GHSV656RLB
 GHSV856RLB
 GHSV1256RLB



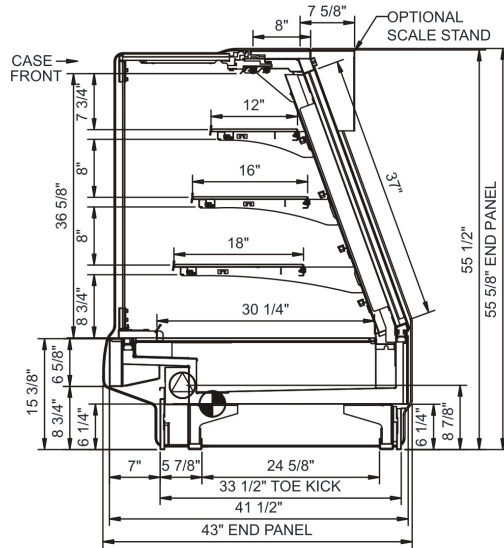
Applications

- High-capacity refrigerated service merchandiser for deli and bakery items.

Features	Standard	Options
ALUM EXTRUSION COLOR	<input type="checkbox"/> Black	<input type="checkbox"/> Silver
EXTERIOR COLOR	<input type="checkbox"/> Powder coated (specify color)	<input type="checkbox"/> Laminated (confirm pattern/grain direction) <input type="checkbox"/> Stainless steel
INTERIOR COLOR	<input type="checkbox"/> Black	<input type="checkbox"/> Stainless steel interior <input type="checkbox"/> White
END PANELS	<input type="checkbox"/> None (specify per line-up)	<input type="checkbox"/> Case to case cutaway end <input type="checkbox"/> Case to case full end <input type="checkbox"/> Cutaway w/ glass <input type="checkbox"/> Full with mirror
FRONT GLASS	<input type="checkbox"/> Vertical single pane, swinging doors	
TOP BOARD	<input type="checkbox"/> Powder coated (specify color)	<input type="checkbox"/> 2 cm. Quartz (specify color) <input type="checkbox"/> Laminated (confirm pattern/grain direction) <input type="checkbox"/> Solid surface (specify color) <input type="checkbox"/> Stainless steel
UPPER REAR DOORS	<input type="checkbox"/> Clear glass rear sliding doors w/o lock	<input type="checkbox"/> Clear glass rear sliding doors w/lock <input type="checkbox"/> Reflective glass rear sliding doors w/lock <input type="checkbox"/> Reflective glass rear sliding doors w/o lock
SHELVING	<input type="checkbox"/> (4) Lighted clear glass shelves	<input type="checkbox"/> (4) Lighted solid shelves
LIGHTS	<input type="checkbox"/> LED top light(s)	
ELECTRICAL CONNECT	<input type="checkbox"/> Leads	
REFRIGERATION	<input type="checkbox"/> Remote DX refrigeration	<input type="checkbox"/> E-Coated evaporator coil <input type="checkbox"/> Remote Glycol refrigeration
MISCELLANEOUS		<input type="checkbox"/> Bumper front/ends <input type="checkbox"/> Price tag molding <input type="checkbox"/> Top mount scale stand w/receptacle

G Series GHSV 56"H Refrigerated High-Capacity Service Case w/ Vertical Glass

Model	L x D x H (Lengths do not include 1-1/8" end panels)
GHSV456RLB	48-3/4"L x 43"D x 55-5/8"H
GHSV556RLB	60-1/2"L x 43"D x 55-5/8"H
GHSV656RLB	73-1/8"L x 43"D x 55-5/8"H
GHSV856RLB	97-1/2"L x 43"D x 55-5/8"H
GHSV1256RLB	146-1/4"L x 43"D x 55-5/8"H



IMPORTANT NOTES:

- Units must be shimmed during installation to ensure the unit is level and plumb.

WARNING

This product can expose you to chemicals including Urethane (Ethyl Carbamate), which are known to the State of California to cause cancer and birth defects or other reproductive harm. For more information go to www.P65Warnings.ca.gov.

INTENDED ENVIRONMENT

Designed to operate in ambient conditions of 75°F with 55% relative humidity.

WARMEST AVG PRODUCT TEMP

Zone	Temp (°F)
1	40

INTENDED USE OF DISPLAY AREAS

Zone	Intended Use
1	Unpackaged refrigerated products