

G Series - GHS 56"H Refrigerated High-Capacity Service Case

Models

GHS456RLB
 GHS556RLB
 GHS656RLB
 GHS856RLB
 GHS1056RLB
 GHS1256RLB

GHSEH656RLB
 GHSEH856RLB



Features	Standard	Options
EXTERIOR COLOR	<input type="checkbox"/> Painted	<input type="checkbox"/> Laminated (confirm pattern/grain direction) <input type="checkbox"/> Stainless steel
EXTRUSION COLOR	<input type="checkbox"/> Black	<input type="checkbox"/> Silver
INTERIOR COLOR	<input type="checkbox"/> Black	<input type="checkbox"/> Stainless steel <input type="checkbox"/> White
END PANELS	<input type="checkbox"/> None (specify per line-up)	<input type="checkbox"/> Case to case cutaway end <input type="checkbox"/> Case to case full end <input type="checkbox"/> Cutaway w/ glass <input type="checkbox"/> Full with mirror
FRONT GLASS	<input type="checkbox"/> Curved single pane, lift-up (EH models flat angled only)	<input type="checkbox"/> Flat angled single pane, lift-up
TOP BOARD	<input type="checkbox"/> Powder coated (specify color)	<input type="checkbox"/> 2 cm. Quartz (specify color) <input type="checkbox"/> Laminated (confirm pattern/grain direction) <input type="checkbox"/> Solid surface (specify color) <input type="checkbox"/> Stainless steel
UPPER REAR DOORS	<input type="checkbox"/> Clear glass rear sliding doors w/o lock	<input type="checkbox"/> Clear glass rear sliding doors w/lock <input type="checkbox"/> Reflective glass rear sliding doors w/lock <input type="checkbox"/> Reflective glass rear sliding doors w/o lock
SHELVING	<input type="checkbox"/> (4) Lighted clear glass shelves	<input type="checkbox"/> (4) Lighted solid shelves
LIGHTS	<input type="checkbox"/> LED top light(s)	
ELECTRICAL CONNECT	<input type="checkbox"/> Leads	
REFRIGERATION	<input type="checkbox"/> Remote DX refrigeration	<input type="checkbox"/> E-Coated evaporator coil <input type="checkbox"/> Remote Glycol refrigeration
MISCELLANEOUS		<input type="checkbox"/> Bumper front/ends <input type="checkbox"/> Price tag molding <input type="checkbox"/> Top mount scale stand w/receptacle

Applications

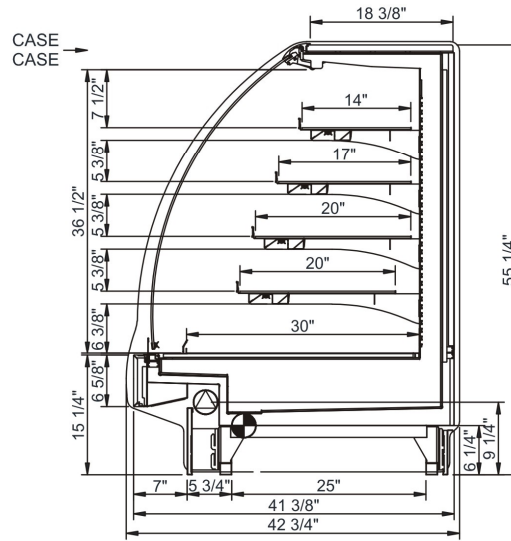
- High-capacity refrigerated service merchandiser for bakery items.

G Series GHS 56"H Refrigerated High-Capacity Service Case

STANDARD HEADER

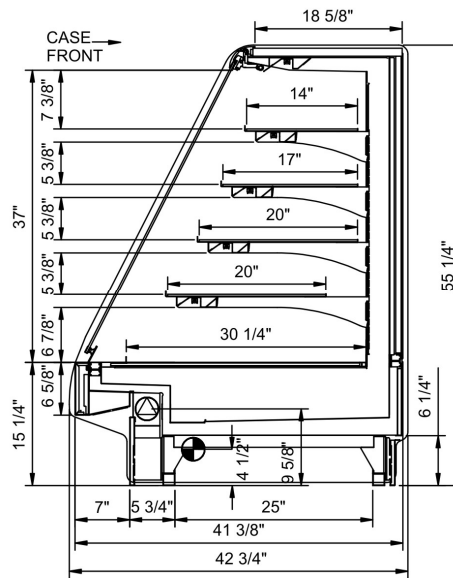
Model	L x D x H (Lengths do not include 1-1/8" end panels)
GHS456RLB	48-3/4"L x 42-3/4"D x 55-1/4"H
GHS556RLB	60-5/8"L x 42-3/4"D x 55-1/4"H
GHS656RLB	73-1/8"L x 42-3/4"D x 55-1/4"H
GHS856RLB	97-1/2"L x 42-3/4"D x 55-1/4"H
GHS1056RLB	121-1/8"L x 42-3/4"D x 55-1/4"H
GHS1256RLB	146-1/4"L x 42-3/4"D x 55-1/4"H

STANDARD CURVED PROFILE



EXTENDED HEADER

Model	L x D x H (Lengths do not include 1-1/8" end panels)
GHSEH656RLB	73-1/8"L x 42-3/4"D x 55-1/4"H
GHSEH856RLB	97-1/2"L x 42-3/4"D x 55-1/4"H



IMPORTANT NOTES:

1) Units must be shimmed during installation to ensure the unit is level and plumb.

⚠️ WARNING

This product can expose you to chemicals including Urethane (Ethyl Carbamate), which are known to the State of California to cause cancer and birth defects or other reproductive harm. For more information go to www.P65Warnings.ca.gov.

INTENDED ENVIRONMENT

Designed to operate in ambient conditions of 75°F with 55% relative humidity.

WARMEST AVG PRODUCT TEMP

Zone	Temp (°F)
1	40

INTENDED USE OF DISPLAY AREAS

Zone	Intended Use
1	Unpackaged refrigerated products