

G Series - GJDSS Refrigerated Companion Self-Service Case

Models

GJDSS4RLB
 GJDSS5RLB
 GJDSS6RLB
 GJDSS8RLB
 GJDSS12RLB



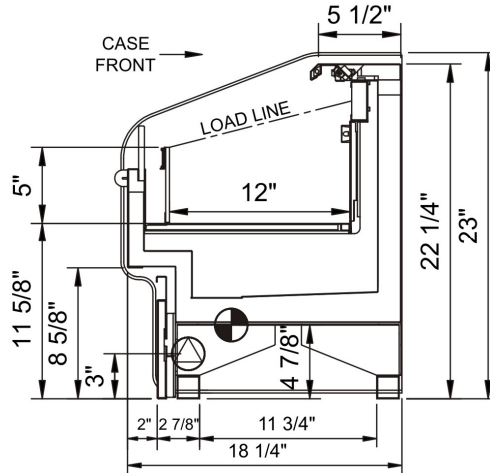
Features	Standard	Options
EXTERIOR COLOR	<input type="checkbox"/> Powder coated (specify color)	<input type="checkbox"/> Black <input type="checkbox"/> Stainless steel
EXTRUSION COLOR	<input type="checkbox"/> Black	<input type="checkbox"/> Silver
INTERIOR COLOR	<input type="checkbox"/> Black	<input type="checkbox"/> Stainless steel <input type="checkbox"/> White
BASE	<input type="checkbox"/> Rail system for shims	<input type="checkbox"/> 6"H legs
END PANELS	<input type="checkbox"/> None (specify per line-up)	<input type="checkbox"/> Full with mirror
LIGHTING UPPER	<input type="checkbox"/> LED top light	
ELECTRICAL CONNECT	<input type="checkbox"/> Leads	
REFRIGERATION	<input type="checkbox"/> Remote DX refrigeration	<input type="checkbox"/> E-Coated evaporator coil <input type="checkbox"/> Remote Glycol refrigeration
MISCELLANEOUS		<input type="checkbox"/> Bumper front/ends <input type="checkbox"/> Price tag molding

Applications

- Low capacity self-service merchandiser for refrigerated deli & bakery items.

G Series GJDSS Refrigerated Companion Self-Service Case

Model	L x D x H (Lengths do not include 1-1/8" end panels)
GJDSS4RLB*	48-3/4"L x 18-1/4"D x 22-1/4"H
GJDSS5RLB*	60-5/8"L x 18-1/4"D x 22-1/4"H
GJDSS6RLB*	73-1/8"L x 18-1/4"D x 22-1/4"H
GJDSS8RLB	97-1/2"L x 18-1/4"D x 22-1/4"H
GJDSS12RLB	146-1/4"L x 18-1/4"D x 22-1/4"H



IMPORTANT NOTES:

- Units must be shimmed during installation to ensure the unit is level and plumb.

WARNING

This product can expose you to chemicals including Urethane (Ethyl Carbamate), which are known to the State of California to cause cancer and birth defects or other reproductive harm. For more information go to www.P65Warnings.ca.gov.

INTENDED ENVIRONMENT

Designed to operate in ambient conditions of 75°F with 55% relative humidity.

WARMEST AVG PRODUCT TEMP

Zone	Temp (°F)
1	40

INTENDED USE OF DISPLAY AREAS

Zone	Intended Use
1	Packaged refrigerated products

* Additional lead-time required
 INFORMATION IS SUBJECT TO CHANGE WITHOUT NOTICE. Visit www.structuralconcepts.com for the most current specs.

