

G Series - GLDS Refrigerated Low-Capacity Service Case

Models

GLDS4R
GLDS5R
GLDS6R
GLDS8R
GLDS10R
GLDS12R



Bakery Application

Applications

- Low capacity service merchandiser for refrigerated deli and bakery items

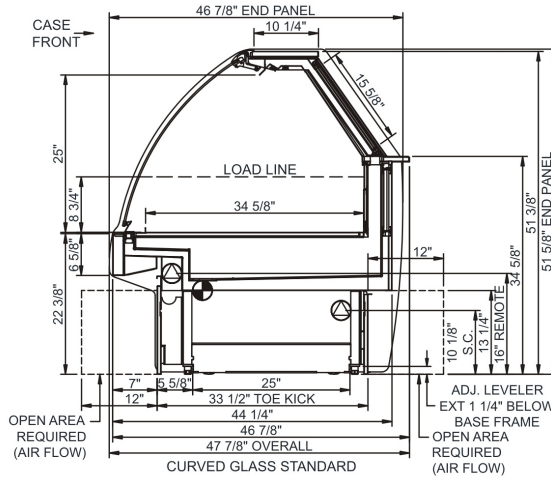
Features	Standard	Options
EXTERIOR COLOR	<input type="checkbox"/> Powder coated (specify color)	<input type="checkbox"/> Laminated (confirm pattern/grain direction) <input type="checkbox"/> Stainless steel
EXTRUSION COLOR	<input type="checkbox"/> Black	<input type="checkbox"/> Silver
INTERIOR COLOR	<input type="checkbox"/> Black	<input type="checkbox"/> Stainless steel <input type="checkbox"/> White
BASE	<input type="checkbox"/> Rail system for shims	<input type="checkbox"/> 6"H legs <input type="checkbox"/> Levelers
DISPLAY	<input type="checkbox"/> None	<input type="checkbox"/> 2"H Full depth display riser(s)
END PANELS	<input type="checkbox"/> None (specify per line-up)	<input type="checkbox"/> Case to case cutaway end <input type="checkbox"/> Case to case full end <input type="checkbox"/> Cutaway w/ glass <input type="checkbox"/> Full with mirror
FRONT GLASS	<input type="checkbox"/> ¹ Curved single pane, lift-up	<input type="checkbox"/> Flat angled single pane, lift-up
REAR DOORS UPPER	<input type="checkbox"/> Acrylic rear sliding doors w/o lock	<input type="checkbox"/> Acrylic rear sliding doors w/lock <input type="checkbox"/> Open <input type="checkbox"/> Rear door lock
REAR LEDGE	<input type="checkbox"/> Black poly	<input type="checkbox"/> Quartz <input type="checkbox"/> Solid surface (specify color) <input type="checkbox"/> Stainless steel <input type="checkbox"/> White poly
TOP BOARD	<input type="checkbox"/> Powder coated (specify color)	<input type="checkbox"/> 2 cm. Quartz (specify color) <input type="checkbox"/> Laminated (confirm pattern/grain direction) <input type="checkbox"/> Solid surface (specify color) <input type="checkbox"/> Stainless steel
LIGHTING UPPER	<input type="checkbox"/> LED top light(s)	
REFRIGERATION	<input type="checkbox"/> Remote DX refrigeration	<input type="checkbox"/> Breeze w/EnergyWise s/c refrigeration <input type="checkbox"/> E-Coated evaporator coil <input type="checkbox"/> Remote Glycol refrigeration
MISCELLANEOUS		<input type="checkbox"/> Bumper front/ends <input type="checkbox"/> Clean Sweep® condenser coil cleaner <input type="checkbox"/> Price tag molding <input type="checkbox"/> Stainless steel condiment rail system <input type="checkbox"/> Top mount scale stand w/receptacle

Std Notes: 1 - Straight Models Only

G Series GLDS Refrigerated Low-Capacity Service Case

STRAIGHT

Model	L x D x H (Lengths do not include 1-1/8" end panels)
GLDS4R	48-3/4"L x 47-7/8"D x 51-5/8"H
GLDS5R	60-5/8"L x 47-7/8"D x 51-5/8"H
GLDS6R	73-1/8"L x 47-7/8"D x 51-5/8"H
GLDS8R	97-1/2"L x 47-7/8"D x 51-5/8"H
GLDS10R	121-1/8"L x 47-7/8"D x 51-5/8"H
GLDS12R	146-1/4"L x 47-7/8"D x 51-5/8"H



IMPORTANT NOTES:

- Units must be shimmed during installation to ensure the unit is level and plumb.

WARNING

This product can expose you to chemicals including Urethane (Ethyl Carbamate), which are known to the State of California to cause cancer and birth defects or other reproductive harm. For more information go to www.P65Warnings.ca.gov.

INTENDED ENVIRONMENT

Designed to operate in ambient conditions of 75°F with 55% relative humidity.

WARMEST AVG PRODUCT TEMP

Zone	Temp (°F)
1	40

INTENDED USE OF DISPLAY AREAS

Zone	Intended Use
1	Unpackaged refrigerated products

For more information on any of our products or services please visit us on the web at:

www.structuralconcepts.com