

# G Series - GMBS Ambient Mid-Capacity Service Case

## Models

GMBS452D  
GMBS552D  
GMBS652D



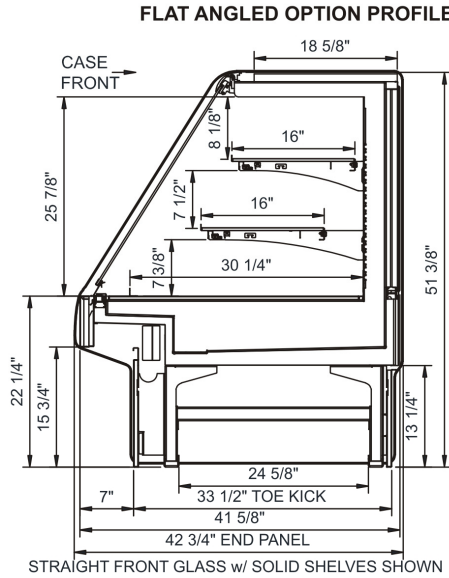
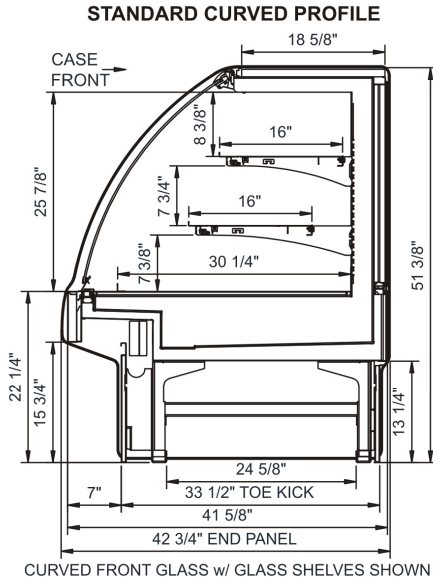
## Applications

- Mid-capacity ambient service merchandiser for bakery items.

Features	Standard	Options
<b>EXTERIOR COLOR</b>	<input type="checkbox"/> Powder coated (specify color)	<input type="checkbox"/> Laminated (confirm pattern/grain direction) <input type="checkbox"/> Stainless steel
<b>EXTRUSION COLOR</b>	<input type="checkbox"/> Black	<input type="checkbox"/> Silver
<b>INTERIOR COLOR</b>	<input type="checkbox"/> Black	<input type="checkbox"/> Stainless steel <input type="checkbox"/> White
<b>BASE</b>	<input type="checkbox"/> Rail system for shims	<input type="checkbox"/> 6"H legs <input type="checkbox"/> Casters w/ levelers
<b>END PANELS</b>	<input type="checkbox"/> None (specify per line-up)	<input type="checkbox"/> Case to case cutaway end <input type="checkbox"/> Case to case full end <input type="checkbox"/> Cutaway w/ glass <input type="checkbox"/> Full with mirror
<b>FRONT GLASS</b>	<input type="checkbox"/> Curved single pane, lift-up	<input type="checkbox"/> Flat angled single pane, lift-up
<b>UPPER REAR DOORS</b>	<input type="checkbox"/> Clear glass rear sliding doors w/o lock	<input type="checkbox"/> Clear glass rear sliding doors w/lock <input type="checkbox"/> Reflective glass rear sliding doors w/lock <input type="checkbox"/> Reflective glass rear sliding doors w/o lock
<b>SHELVING</b>	<input type="checkbox"/> None	<input type="checkbox"/> (2) lighted glass shelves - 12" & 20" <input type="checkbox"/> (2) lighted solid shelves <input type="checkbox"/> Wire rack shelves (2), lighted (LED)
<b>LIGHTING UPPER</b>	<input type="checkbox"/> LED top light(s)	
<b>ELECTRICAL CONNECT</b>	<input type="checkbox"/> Leads	<input type="checkbox"/> Straight blade power cord
<b>MISCELLANEOUS</b>		<input type="checkbox"/> Bumper front/ends <input type="checkbox"/> Price tag molding <input type="checkbox"/> Rear wrapping board <input type="checkbox"/> Top mount scale stand w/receptacle

# G Series GMBS Ambient Mid-Capacity Service Case

Model	L x D x H (Lengths do not include 1-1/8" end panels)
GMBS452D	48-3/4"L x 42-3/4"D x 51-3/8"H
GMBS552D	60-1/2"L x 42-3/4"D x 51-3/8"H
GMBS652D	73-1/8"L x 42-3/4"D x 51-3/8"H



## IMPORTANT NOTES:

- Units must be shimmed during installation to ensure the unit is level and plumb.

## WARNING

This product can expose you to chemicals including Urethane (Ethyl Carbamate), which are known to the State of California to cause cancer and birth defects or other reproductive harm. For more information go to [www.P65Warnings.ca.gov](http://www.P65Warnings.ca.gov).

## INTENDED ENVIRONMENT

Designed to operate in ambient conditions of 75°F with 55% relative humidity.

## WARMEST AVG PRODUCT TEMP

Zone	Temp (°F)
1	Ambient

## INTENDED USE OF DISPLAY AREAS

Zone	Intended Use
1	Unpackaged non-refrigerated products