

G Series - GMDS Refrigerated Mid-Capacity Service Case

Models

GMDS4R
GMDS5R
GMDS6R
GMDS8R
GMDS10R
GMDS12R



Applications

- Mid-capacity service merchandiser for refrigerated deli & bakery items.

Features	Standard	Options
EXTERIOR COLOR	<input type="checkbox"/> Powder coated (specify color)	<input type="checkbox"/> Laminated (confirm pattern/grain direction) <input type="checkbox"/> Stainless steel
EXTRUSION COLOR	<input type="checkbox"/> Black	<input type="checkbox"/> Silver
INTERIOR COLOR	<input type="checkbox"/> Black	<input type="checkbox"/> Stainless steel <input type="checkbox"/> White
BASE	<input type="checkbox"/> Rail system for shims	<input type="checkbox"/> 6"H legs <input type="checkbox"/> Levelers
END PANELS	<input type="checkbox"/> None (specify per line-up)	<input type="checkbox"/> Case to case cutaway end <input type="checkbox"/> Case to case full end <input type="checkbox"/> Cutaway w/ glass <input type="checkbox"/> Full with mirror
FRONT GLASS	<input type="checkbox"/> Curved single pane, lift-up	<input type="checkbox"/> Flat angled single pane, lift-up
TOP BOARD	<input type="checkbox"/> Powder coated (specify color)	<input type="checkbox"/> 2 cm. Quartz (specify color) <input type="checkbox"/> Laminated (confirm pattern/grain direction) <input type="checkbox"/> Solid surface (specify color) <input type="checkbox"/> Stainless steel
UPPER REAR DOORS	<input type="checkbox"/> Clear glass rear sliding doors w/o lock	<input type="checkbox"/> Clear glass rear sliding doors w/lock <input type="checkbox"/> Reflective glass rear sliding doors w/lock <input type="checkbox"/> Reflective glass rear sliding doors w/o lock
SHELVING	<input type="checkbox"/> (1) lighted solid shelf - 16"	<input type="checkbox"/> (2) lighted solid shelves - 12" & 16" <input type="checkbox"/> 2"H Full depth display risers (n/a w/shelf) <input type="checkbox"/> Meat log display riser (n/a w/shelf) <input type="checkbox"/> None
LIGHTING UPPER	<input type="checkbox"/> LED top light(s)	
NOSE LIGHTS	<input type="checkbox"/> LED nose light	<input type="checkbox"/> None
ELECTRICAL CONNECT	<input type="checkbox"/> Leads	<input type="checkbox"/> 6' Locking blade power cord <input type="checkbox"/> 6' Straight blade power cord
REFRIGERATION	<input type="checkbox"/> Remote DX refrigeration	<input type="checkbox"/> Breeze w/EnergyWise s/c refrigeration <input type="checkbox"/> E-Coated evaporator coil <input type="checkbox"/> Remote Glycol refrigeration
MISCELLANEOUS		<input type="checkbox"/> Bumper front/ends <input type="checkbox"/> Clean Sweep® coil cleaner (n/a w/remote) <input type="checkbox"/> Price tag molding <input type="checkbox"/> Rear wrapping board <input type="checkbox"/> Top mount scale stand w/receptacle

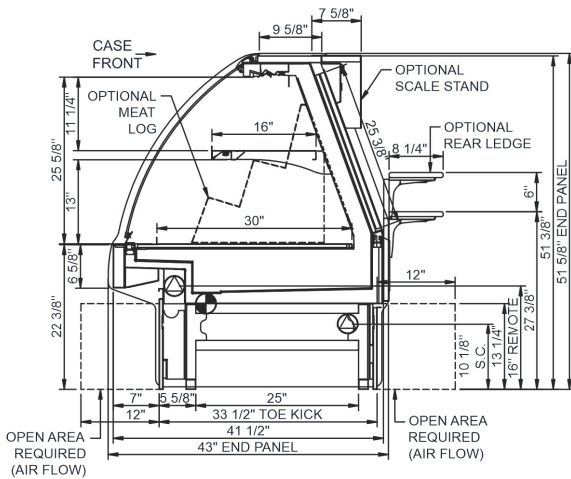
Std Notes: 1 - Straight Models Only

G Series GMDS Refrigerated Mid-Capacity Service Case

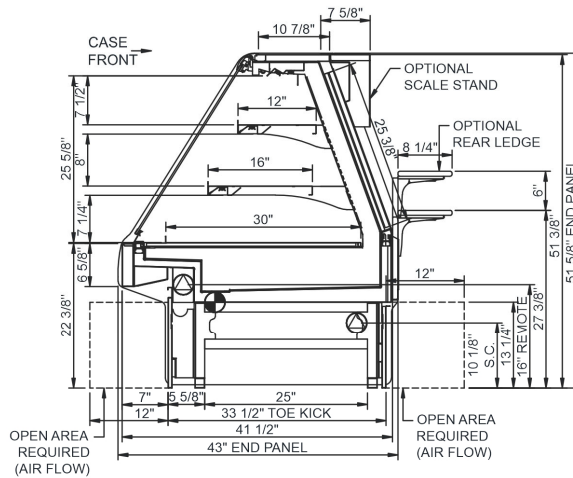
STRAIGHT

Model	L x D x H (Lengths do not include 1-1/8" end panels)
GMDS4R	48-3/4"L x 43"D x 51-5/8"H
GMDS5R	60-5/8"L x 43"D x 51-5/8"H
GMDS6R	73-1/8"L x 43"D x 51-5/8"H
GMDS8R	97-1/2"L x 43"D x 51-5/8"H
GMDS10R	121-1/8"L x 43"D x 51-5/8"H
GMDS12R	146-1/4"L x 43"D x 51-5/8"H

STANDARD CURVED PROFILE



FLAT ANGLED OPTION PROFILE



IMPORTANT NOTES:

1) Units must be shimmed during installation to ensure the unit is level and plumb.

⚠️ WARNING

This product can expose you to chemicals including Urethane (Ethyl Carbamate), which are known to the State of California to cause cancer and birth defects or other reproductive harm. For more information go to www.P65Warnings.ca.gov.

INTENDED ENVIRONMENT

Designed to operate in ambient conditions of 75°F with 55% relative humidity.

WARMEST AVG PRODUCT TEMP

Zone	Temp (°F)
1	40

INTENDED USE OF DISPLAY AREAS

Zone	Intended Use
1	Unpackaged refrigerated products