

# G Series - GMSH Heated Service Case

## Models

GMS4H  
GMS6H  
GMS8H



Features	Standard	Options
<b>EXTERIOR COLOR</b>	<input type="checkbox"/> Powder coated (specify color)	<input type="checkbox"/> Laminated (confirm pattern/grain direction) <input type="checkbox"/> Stainless steel
<b>EXTRUSION COLOR</b>	<input type="checkbox"/> Black	<input type="checkbox"/> Silver
<b>INTERIOR COLOR</b>	<input type="checkbox"/> Stainless steel	
<b>BASE</b>	<input type="checkbox"/> Rail system for shims	<input type="checkbox"/> 6"H legs
<b>END PANELS</b>	<input type="checkbox"/> None (specify per line-up)	<input type="checkbox"/> Case to case cutaway end <input type="checkbox"/> Case to case full end <input type="checkbox"/> Cutaway w/ glass <input type="checkbox"/> Full with mirror
<b>FRONT GLASS</b>	<input type="checkbox"/> Curved single pane, lift-up	<input type="checkbox"/> Flat angled single pane, lift-up
<b>TOP BOARD</b>	<input type="checkbox"/> Powder coated (specify color)	<input type="checkbox"/> 2 cm. Quartz (specify color) <input type="checkbox"/> Laminated (confirm pattern/grain direction) <input type="checkbox"/> Solid surface (specify color) <input type="checkbox"/> Stainless steel
<b>UPPER REAR DOORS</b>	<input type="checkbox"/> Clear glass rear sliding doors w/o lock	<input type="checkbox"/> Clear glass rear sliding doors w/lock <input type="checkbox"/> Reflective glass rear sliding doors w/lock <input type="checkbox"/> Reflective glass rear sliding doors w/o lock
<b>OVERHEAD HEAT</b>	<input type="checkbox"/> Incandescent bulbs & infrared overhead heat	
<b>MISCELLANEOUS</b>		<input type="checkbox"/> Bumper front/ends <input type="checkbox"/> Rear wrapping board <input type="checkbox"/> Top mount scale stand w/receptacle

## Applications

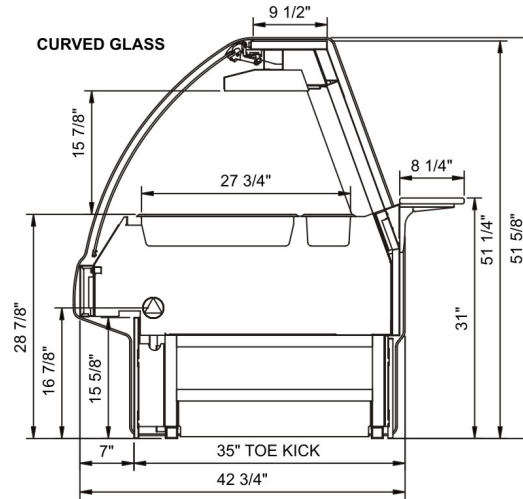
- Service deli merchandiser for heated deli items.

# G Series GMSH Heated Service Case

## STANDARD - CURVED PROFILE

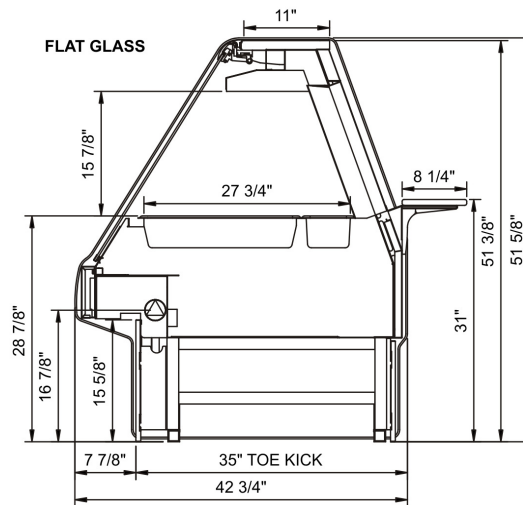
Pans not provided with unit

Model	L x D x H (Lengths do not include 1-1/8" end panels)
GMS4H	48-3/4"L x 42-3/4"D x 51-5/8"H
GMS6H	73-1/8"L x 42-3/4"D x 51-5/8"H
GMS8H	97-1/2"L x 42-3/4"D x 51-5/8"H



WELL CAPACITY
PANS NOT PROVIDED WITH UNIT
GMS4H = 3-SECTIONS, EACH HOLDING ONE AND ONE-THIRD PANS
GMS6H = 5-SECTIONS, EACH HOLDING ONE AND ONE-THIRD PANS
GMS8H = 7-SECTIONS, EACH HOLDING ONE AND ONE-THIRD PANS

## FLAT ANGLED OPTION PROFILE



## IMPORTANT NOTES:

- 1) Designed for dry heat.
- 2) Each well accommodates up to 4"D pans (not provided).
- 3) Units must be shimmed during installation to ensure the unit is level and plumb.



### WARNING:

This product can expose you to chemicals, including Urethane (Ethyl Carbamate), which are known to the state of California to cause cancer and birth defects or other reproductive harm. For more information go to [www.P65Warnings.ca.gov](http://www.P65Warnings.ca.gov).

## INTENDED ENVIRONMENT

Designed to operate in ambient conditions of 75°F with 55% relative humidity.

## WARMEST AVG PRODUCT TEMP

Zone	Temp (°F)
1	160

## INTENDED USE OF DISPLAY AREAS

Zone	Intended Use
1	Unpackaged heated product