

G Series - GP Combination Preparation Case

Models

GP441RRLB
 GP541RRLB
 GP641RRLB
 GP841RRLB
 GP1041RRLB



Features	Standard	Options
EXTERIOR COLOR	<input type="checkbox"/> Powder coated (specify color)	<input type="checkbox"/> Laminated (confirm pattern/grain direction) <input type="checkbox"/> Stainless steel
EXTRUSION COLOR	<input type="checkbox"/> Black	<input type="checkbox"/> Silver
INTERIOR COLOR	<input type="checkbox"/> Black	<input type="checkbox"/> Stainless steel <input type="checkbox"/> White
CASE PROFILE	<input type="checkbox"/> Curved	<input type="checkbox"/> Flat angled
END PANELS	<input type="checkbox"/> None (specify per line-up)	<input type="checkbox"/> Case to case cutaway end <input type="checkbox"/> Case to case full end <input type="checkbox"/> Cutaway w/ glass <input type="checkbox"/> Full with mirror
REAR STORAGE	<input type="checkbox"/> Non-refrigerated rear storage (w/o doors)	<input type="checkbox"/> Non-refrigerated rear storage w/ sliding doors <input type="checkbox"/> Refrigerated rear storage w/ sliding doors
REAR WORK SURFACE	<input type="checkbox"/> White poly	
SHELVING	<input type="checkbox"/> (2) lighted solid shelves for GP'41 models, (1) lighted solid shelf for GP'36 models	
SNEEZE GUARD	<input type="checkbox"/> Clear sneeze guard glass w/ stainless steel posts	<input type="checkbox"/> Clear sneeze guard glass w/ black posts <input type="checkbox"/> None <input type="checkbox"/> UV bonded frameless glass
LIGHTING UPPER	<input type="checkbox"/> LED top light(s)	
NOSE LIGHTS	<input type="checkbox"/> LED nose light	<input type="checkbox"/> None
ELECTRICAL CONNECT	<input type="checkbox"/> Leads	
REFRIGERATION	<input type="checkbox"/> Remote DX refrigeration	<input type="checkbox"/> E-Coated evaporator coil <input type="checkbox"/> Remote Glycol refrigeration
MISCELLANEOUS		<input type="checkbox"/> Bumper front/ends <input type="checkbox"/> Price tag molding

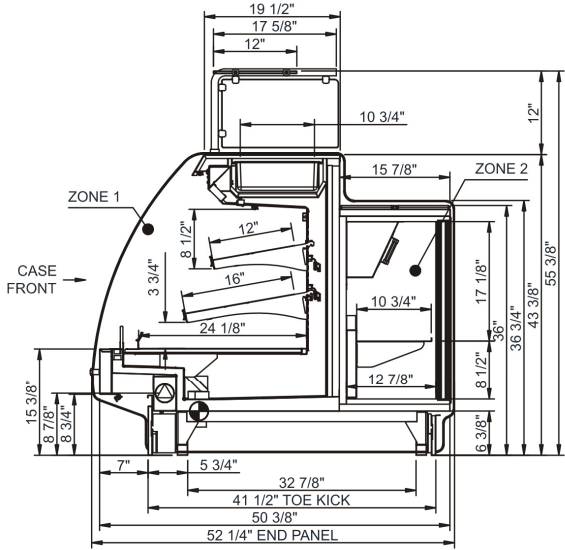
Applications

- Combination Prep merchandiser for packaged / unpackaged refrigerated deli items

G Series GP Combination Preparation Case

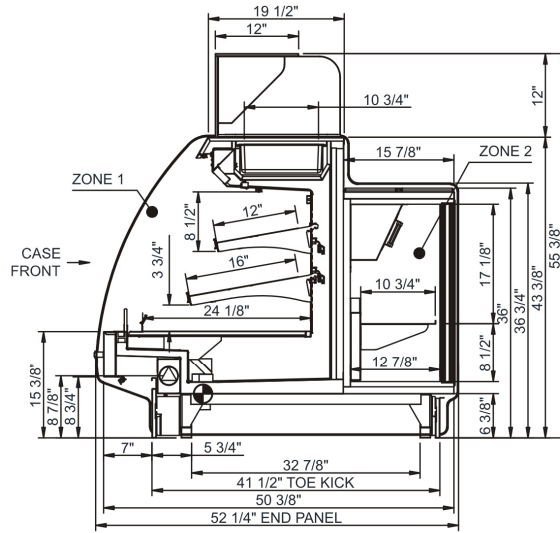
GP'41 MODEL

Model	L x D x H (Lengths do not include 1-1/8" end panels)
GP441RRLB	48-3/4"L x 52-1/4"D x 55-3/8"H
GP541RRLB	60-5/8"L x 52-1/4"D x 55-3/8"H
GP641RRLB	73-1/8"L x 52-1/4"D x 55-3/8"H
GP841RRLB	97-1/2"L x 52-1/4"D x 55-3/8"H
GP1041RRLB	121"L x 52-1/4"D x 55-3/8"H



STANDARD SNEEZE GUARD WITH POSTS

Height in table is overall from floor to top of sneeze guard



UV BONDED SNEEZE GUARD

IMPORTANT NOTES:

- 1) Units must be shimmed during installation to ensure unit is level and plumb.
- 2) Pans are not supplied with unit.

⚠ WARNING

This product can expose you to chemicals including Urethane (Ethyl Carbamate), which are known to the State of California to cause cancer and birth defects or other reproductive harm. For more information go to www.P65Warnings.ca.gov.

INTENDED ENVIRONMENT

Designed to operate in ambient conditions of 75°F with 55% relative humidity.

WARMEST AVG PRODUCT TEMP

Zone	Temp (°F)
1	40

INTENDED USE OF DISPLAY AREAS

Zone	Intended Use
1	Packaged / unpackaged refrigerated products