

Produce - FSIB Refrigerated Single Sided Self-Service Case

Models

FSIB4R
FSIB8R



Features	Standard	Options
MODEL CONFIGURATION	<input type="checkbox"/> Inline	<input type="checkbox"/> Island
EXTERIOR COLOR	<input type="checkbox"/> Laminated (confirm pattern/grain direction)	
INTERIOR COLOR	<input type="checkbox"/> Black	
BASE STYLE	<input type="checkbox"/> Levelers	<input type="checkbox"/> Casters
END PANELS	<input type="checkbox"/> No end panel (for same case to case connect)	<input type="checkbox"/> Cutaway end panel <input type="checkbox"/> Full end panel
INTERIOR DISPLAY	<input type="checkbox"/> Angled deck	
ELECTRICAL	<input type="checkbox"/> Electrical leads (remote)	<input type="checkbox"/> 6' locking power cord (self-cont.)
REFRIGERATION	<input type="checkbox"/> Remote DX refrigeration	<input type="checkbox"/> ¹ Breeze™ w/EnergyWise s/c refrigeration
MISCELLANEOUS		<input type="checkbox"/> Bumper front/ends

Option Notes: 1 - Increases depth of case

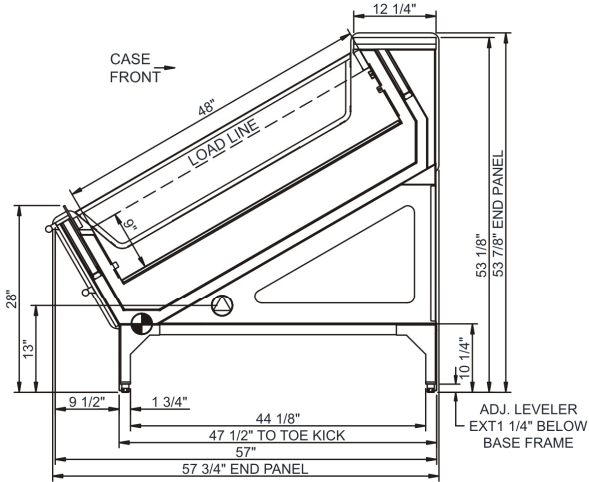
Applications

- Single sided refrigerated self-service merchandiser for packaged or unpackaged produce.

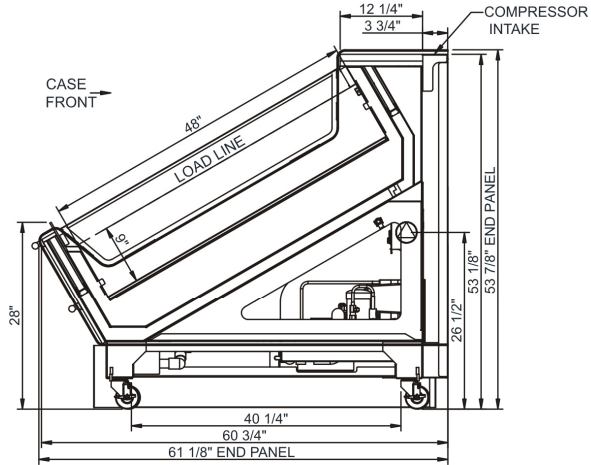
Produce FSIB Refrigerated Single Sided Self-Service Case

Model	L x D x H (Lengths do not include 1-1/8" end panels)
FSIB4R	48-5/8"L x 57-3/4"D x 53-7/8"H
FSIB8R	95-7/8"L x 57-3/4"D x 53-7/8"H

STANDARD REMOTE CONFIGURATION



OPTIONAL SELF-CONTAINED CONFIGURATION



IMPORTANT NOTES:

1) Units are supplied with levelers which must be adjusted during installation to ensure the unit is level and plumb.

WARNING:

This product can expose you to chemicals, including Urethane (Ethyl Carbamate), which are known to the state of California to cause cancer and birth defects or other reproductive harm. For more information go to www.P65Warnings.ca.gov.

INTENDED ENVIRONMENT

Designed to operate in ambient conditions of 75°F with 55% relative humidity.

WARMEST AVG PRODUCT TEMP

Zone	Temp (°F)
1	40

INTENDED USE OF DISPLAY AREAS

Zone	Intended Use
1	Packaged / unpackaged refrigerated products