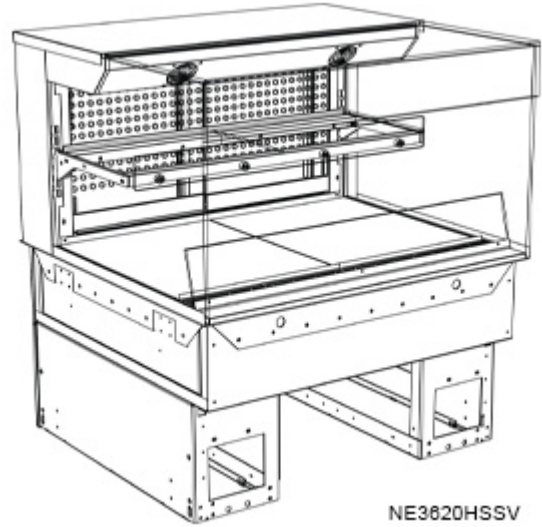


- **NE3620HSSV** 35-3/4"L x 33"D x 20-3/8"H
- **NE4820HSSV** 47-3/4"L x 33"D x 20-3/8"H

Included

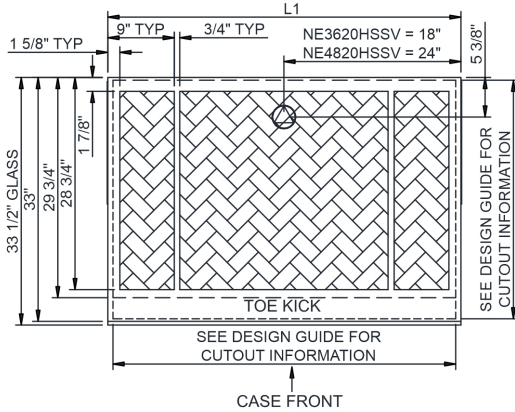
- NOTE: Glass warranty only applicable to first point of delivery
- Convection heat
- (1) Level of clear glass shelving removable and adjustable on 1" centers
- Glass end
- LED top & shelf lights
- NOTE: Overall case height is 39-5/8" (includes below counter)
- One year parts & labor warranty
- Slide in base
- Stainless steel interior
- UV bonded frameless glass



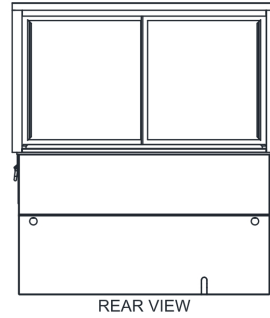
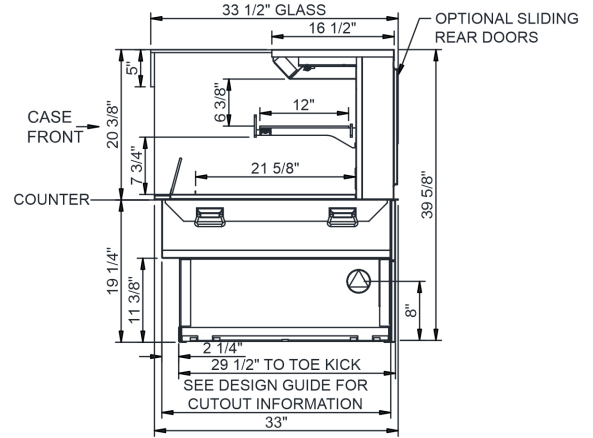
| Specify | Standard Features | Additional Options |
|-----------------------------|---|--|
| FRAME EXTERIOR COLOR | <ul style="list-style-type: none"> • Black | <ul style="list-style-type: none"> • Painted (non-stock colors, specify RAL#) • Painted (stock colors, specify RAL#) • Stainless steel |
| UPPER REAR | <ul style="list-style-type: none"> • Solid back panel | <ul style="list-style-type: none"> • Clear glass rear sliding doors • Reflective glass rear sliding doors |
| LIGHTS | <ul style="list-style-type: none"> • LED 3500K w/ frosted lens | <ul style="list-style-type: none"> • LED 3000K w/ frosted lens • LED 4000K w/ frosted lens |
| ELECTRICAL CONNECT | <ul style="list-style-type: none"> • 10' Straight blade power cord | <ul style="list-style-type: none"> • 10' Locking blade power cord • Electrical leads (non-refrigerated) |
| MISCELLANEOUS | | <ul style="list-style-type: none"> • Remoted control (allows controls to be up to 8' from center of case) • Second year parts & labor warranty |

| | | |
|--|---|----------------------------------|
| Intended Environment: Type I - Designed to operate in ambient conditions of 75°F with 55% relative humidity unless noted otherwise in system information below. | | |
| Zone | Intended Product To Be Displayed | Warmest Avg Prod Temp ° F |
| 1 | Packaged / unpackaged heated products | 160 |

PLAN VIEW



SIDE VIEW



NOTE: ALL DIMENSIONS APPROXIMATE

- ELECTRICAL JUNCTION BOX (SUPPLIED WITH 6" LEADS OR POWER CORD).
- LOCATION OF DRAIN TUBE FOR REMOTE REF. ONLY (SUPPLIED WITH 3/4" OR 1 1/2" PVC TUBE).

- REFRIGERATION LINE CONNECTION.
- REMOTE FLOOR SINK & UTILITIES ACCESS AREA.

- SELF-CONTAINED CASE SERVICE ACCESS AREA.
- DRY CASE SERVICE ACCESS AREA.

| Model Technical Specifications | | | | | | | | | | | | | | | | |
|--------------------------------|-----|-------|-----|------------|---------------|---------|------|----------|-------|-------|-----------|-----------------|-----------------|-----------------|--------|-----|
| Model | L" | L1" | L2" | System | Circuit Volts | Phs | Freq | Amps *** | Watts | Wires | NEMA Plug | SST | Conv. Rack RTUH | Para. Rack RTUH | Est Wt | |
| NE3620HSSV | N/A | 35.75 | .00 | Heat (N/A) | Circuit #1 | 208-240 | 1 | 60 | 12.38 | 2,416 | 2+G | 6-20P or L6-20P | N/A | N/A | N/A | 750 |
| NE4820HSSV | N/A | 47.75 | .00 | Heat (N/A) | Circuit #1 | 208-240 | 1 | 60 | 18.14 | 3,575 | 2+G | 6-30P or L6-30P | N/A | N/A | N/A | 950 |

*** Does not include electric defrost on freezer models.

| Regulatory Approvals: | |
|-----------------------|--|
| All Models | ETL Listed to UL 197 ETL Listed to CAN/CSA 22.2 No. 109 ETL Sanitation to NSF/ANSI 4 |



Important Notes:

- 1) ELECTRICAL NOTE: If GFCI is required, a GFCI breaker MUST be used in lieu of a GFCI receptacle.
- 2) 19.25" minimum space required beneath counter surface.
- 3) Glass warranty only applicable to first point of delivery.

⚠ WARNING: This product can expose you to chemicals, including Urethane (Ethyl Carbamate), which are known to the State of California to cause cancer and birth defects or other reproductive harm. For more information go to www.P65Warnings.ca.gov.