

Addenda Series - CGS Non-Refrigerated Countertop Case

DIMENSIONS / SHIPPING				
Model	L"	L1"	L2"	Est Wt (lbs)
CGS2830	N/A	28.125	0.000	300
CGS3830	N/A	38.125	0.000	350

ELECTRICAL																
Model	System Circuit Volts				Ph	Frq	Rated Load Amps	Min Cir Amps	Max OCP Amps	Watts	Wires	NEMA Plug	Amps Lights	Amps Fans	Amps Anti-Sweats	Amps Misc/Refrig/Heat
CGS2830	Ambient	Circuit #1	110-120	1	60	0.40	15	15	51	2+G	5-15P	0.40	N/A	N/A	N/A	
CGS3830	Ambient	Circuit #1	110-120	1	60	0.56	15	15	75	2+G	5-15P	0.56	N/A	N/A	N/A	

REFRIGERATION														
Model	Zone	Section	System	Envt	REMOTE REFRIGERATION					GLYCOL / R744 REFRIGERATION				
					SST (°F)	Conv. Rack BTUH	Para. Rack BTUH	Defrost Interval (Hrs)	Defrost Duration (Mins)	Total GPM	Pressure Drop (psi)	Concent (%)	Liquid Temp (°F)	
CGS2830	All	Ambient	Ambient-N/A	Type I	N/A	N/A	N/A	N/A	N/A	N/A	N/A	N/A	N/A	N/A
CGS3830	All	Ambient	Ambient-N/A	Type I	N/A	N/A	N/A	N/A	N/A	N/A	N/A	N/A	N/A	N/A

INTENDED ENVIRONMENT
 Type I - Designed to operate in ambient conditions of 75°F with 55% relative humidity unless noted otherwise under Envt above.

IMPORTANT NOTES

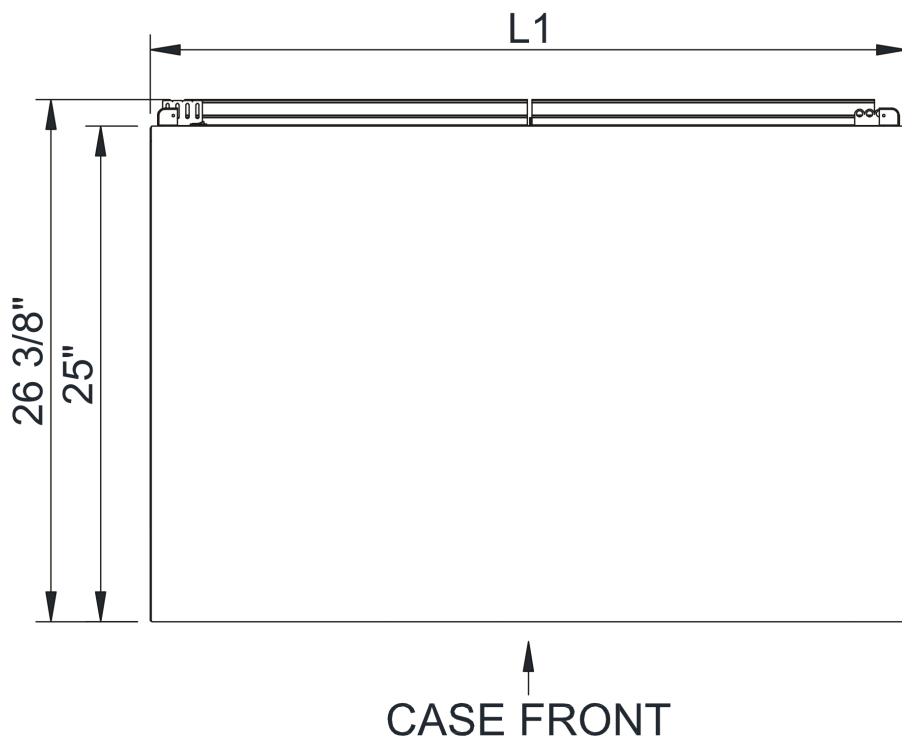
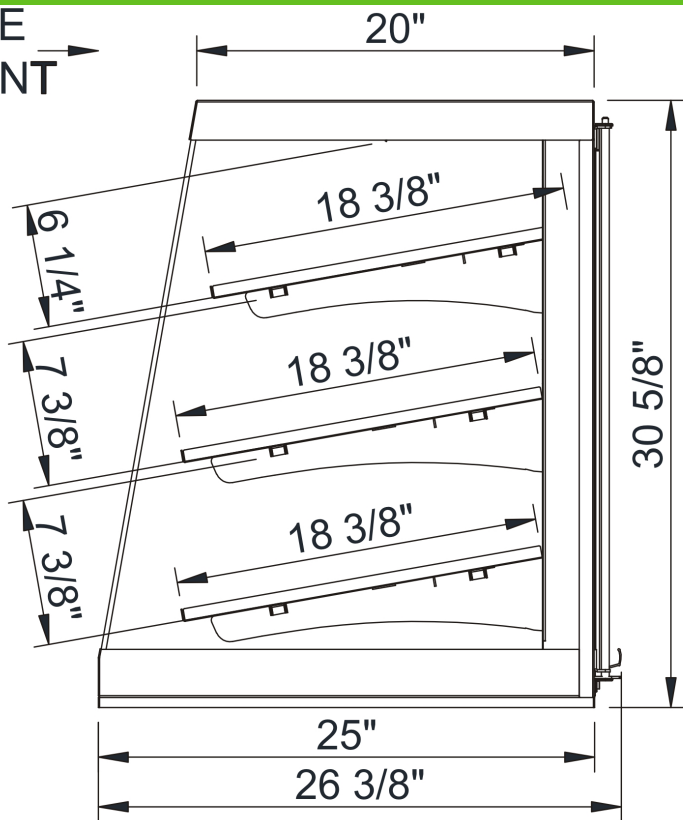
WARMEST AVERAGE PRODUCT TEMP & INTENDED USE OF ZONES		
Zone	Temp (°F)	Intended Use
1	Ambient	Packaged non-refrigerated products

REGULATORY	
All Models	ETL Listed to UL 65 ETL Sanitation to NSF 2



Addenda Series - CGS Non-Refrigerated Countertop Case

CASE FRONT →



NOTE: ALL DIMENSIONS APPROXIMATE

- ⊗ ELECTRICAL JUNCTION BOX (SUPPLIED WITH 6" LEADS OR POWER CORD).
- ⊙ LOCATION OF DRAIN TUBE FOR REMOTE REF. ONLY (SUPPLIED WITH 3/4" OR 1 1/2" PVC TUBE).
- ⊕ REFRIGERATION LINE CONNECTION.
- ⊞ REMOTE FLOOR SINK & UTILITIES ACCESS AREA.
- ⊠ SELF-CONTAINED CASE SERVICE ACCESS AREA.
- ⊡ DRY CASE SERVICE ACCESS AREA.