

Impulse![™]
S E R I E S

INSTALLATION & OPERATING MANUAL

PN 54151

SELF-SERVICE / SERVICE COUNTERTOP AMBIENT DISPLAY UNITS



←
Model CGC2830 in Self-Service
Position and Bracket Angle
←

→
Model CGC2830 in Service
Position and Bracket Angle
→



Model CGC2830

Dimensions: 28 "L x 25"D x 30 1/2"H

Model CGC3830

Dimensions: 38 "L x 25"D x 30 1/2"H

Model CGS2830

Dimensions: 28 "L x 25"D x 30 1/2"H

Model CGS3830

Dimensions: 38 "L x 25"D x 30 1/2"H



Structural

Concepts

888 E. Porter Road · Muskegon, MI 49441 Phone: 231.798.8888 Fax: 231.798.4960 www.structuralconcepts.com

TABLE OF CONTENTS

OVERVIEW / TYPE / COMPLIANCE / WARNINGS / PRECAUTIONS / WIRING / PLUGS	3-4
START-UP AND OPERATION: CASE PLACEMENT / SERVICE vs. SELF-SERVICE SHELF SET-UP	5
START-UP AND OPERATION, CONTINUED: BASE SPACER / POWER CORD LENGTH / CORD CLAMP	6
LED LIGHTING (STANDARD)	7
FLUORESCENT LIGHTING (OPTIONAL)	8
SERIAL LABEL LOCATION & INFORMATION LISTED / TECH INFO & SERVICE	9
TROUBLESHOOTING	10
CLEANING SCHEDULE	11
SCC TECHNICAL SERVICE CONTACT INFORMATION & WARRANTY INFORMATION	12

OVERVIEW

- These Structural Concepts merchandisers are designed to merchandise packaged products at ambient product temperatures.
- Cases should be installed and operated according to this operating manual's instructions to ensure proper performance.
- Improper use will void warranty.

TYPE 1 CONDITIONS

This unit is designed for the display of products in ambient store conditions where temperatures and humidity are maintained within a specific range.

- For Type 1 Conditions (these cases): ambient conditions are to be at 55% maximum humidity and maximum temperatures of 75 °F [24 °C].

COMPLIANCE

- Performance issues when in violation of applicable NEC, federal, state and local electrical and plumbing codes are not covered by warranty.
- See below compliance guideline.

WARNINGS

- This sheet contains important warning to prevent injury or death.
- Please read carefully!

PRECAUTIONS, CORD/PLUG MAINTENANCE & WIRING DIAGRAM INFORMATION

- See next page for **PRECAUTIONS, CORD/PLUG MAINTENANCE** and **WIRING DIAGRAM** information.



**ATTENTION
CONTRACTORS**

COMPLIANCE
This equipment **MUST** be installed in compliance with all applicable NEC, federal, state and local electrical and plumbing codes.



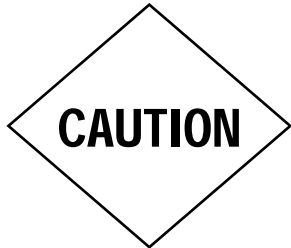
WARNING
Risk of electric shock.
Disconnect ALL ELECTRICAL SOURCES before servicing.

PRECAUTIONS

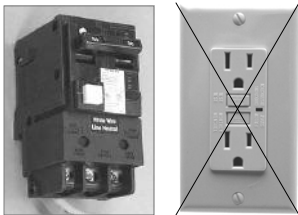
- This sheet contains important precautions to prevent damage to unit or merchandise.
- Please read carefully!
- See previous page for specifics on **OVERVIEW**, **CONDITION TYPE**, **COMPLIANCE** and **WARNINGS**.

WIRING DIAGRAM

- Each case has its own wiring diagram folded and in its own packet.
- Wiring diagram placement may vary; it may be placed near ballast box, field wiring box, raceway cover, or other related location.



CAUTION! LAMP REPLACEMENT GUIDELINES
 LED lamps reflect specific size, shape and overall design. Any replacements must meet factory specifications.
 Fluorescent lamps have been treated to resist breakage and must be replaced with similarly treated lamps.



CAUTION! GFCI BREAKER USE REQUIREMENT
 If N.E.C. (National Electric Code) or your local code requires GFCI (Ground Fault Circuit Interrupter) protection, you **MUST** use a GFCI breaker in lieu of a GFCI receptacle.

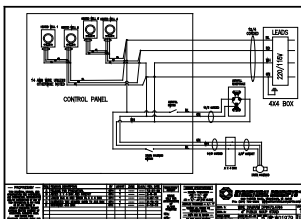


CAUTION! POWER CORD AND PLUG MAINTENANCE
 Risk of electric shock. If cord or plug becomes damaged, replace only with cord and plug of same type.



CAUTION! ADVERSE CONDITIONS / SPACING ISSUES

- Performance issues caused by adverse conditions are **NOT** warranted.
- Unit must not be exposed to direct sunlight or any heat source (ovens, fryers, etc.).



WIRING DIAGRAM FORMAT & LOCATION

- Each case has its own wiring diagram folded & in its own packet.
- Wiring diagram placement may vary; it may be placed near ballast box, field wiring box, raceway cover, or other related location.

START-UP AND OPERATION: CASE PLACEMENT / SERVICE VS. SELF-SERVICE SHELF SET-UP

1. Case Placement

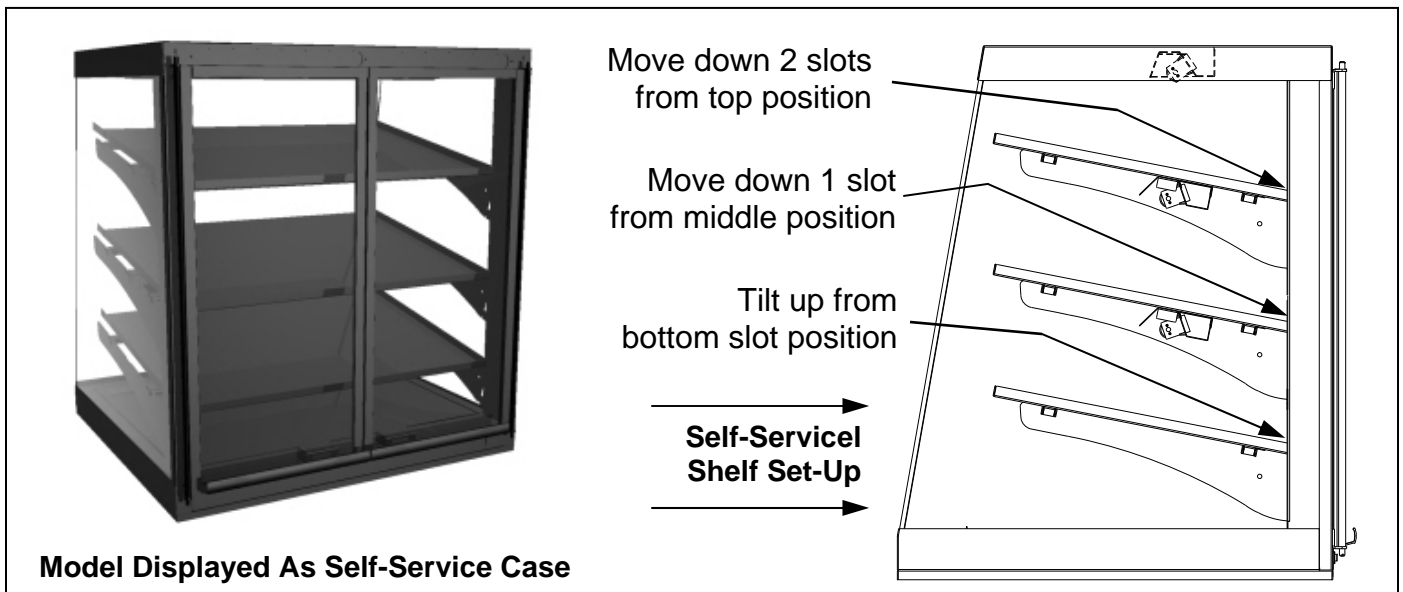
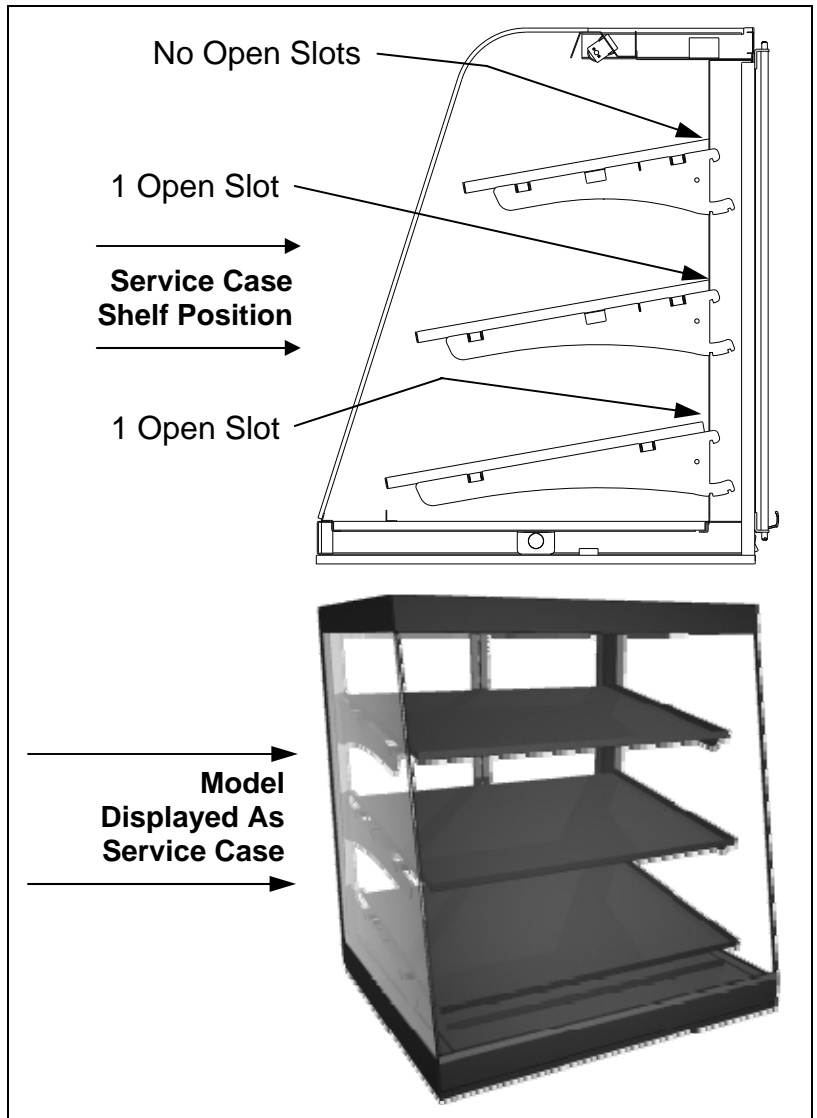
- Remove case from skid.
- Before placing case on counter, determine if the case will merchandize as a front or rear-mounted case.
- Base spacer has a notch at BOTH front and rear for power cord to route from EITHER side.
- See general spacer illustration on next page.

2. Service Case Shelf Positioning

- Shelves may be positioned in the “down” position to merchandize as a service case.
- See illustration at right.

3. Self-Service Shelf Positioning

- The shelves may be positioned in the “up” position. This will allow the case to be turned around and merchandise from a rear mounted position.
- See illustrations below for views of self-service vs. service display cases.



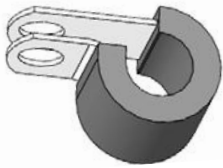
4. Base Spacer / Power Cord Length / Clamp

Locate base spacer in location to put case (cord notch to be in direction of cord to exit).

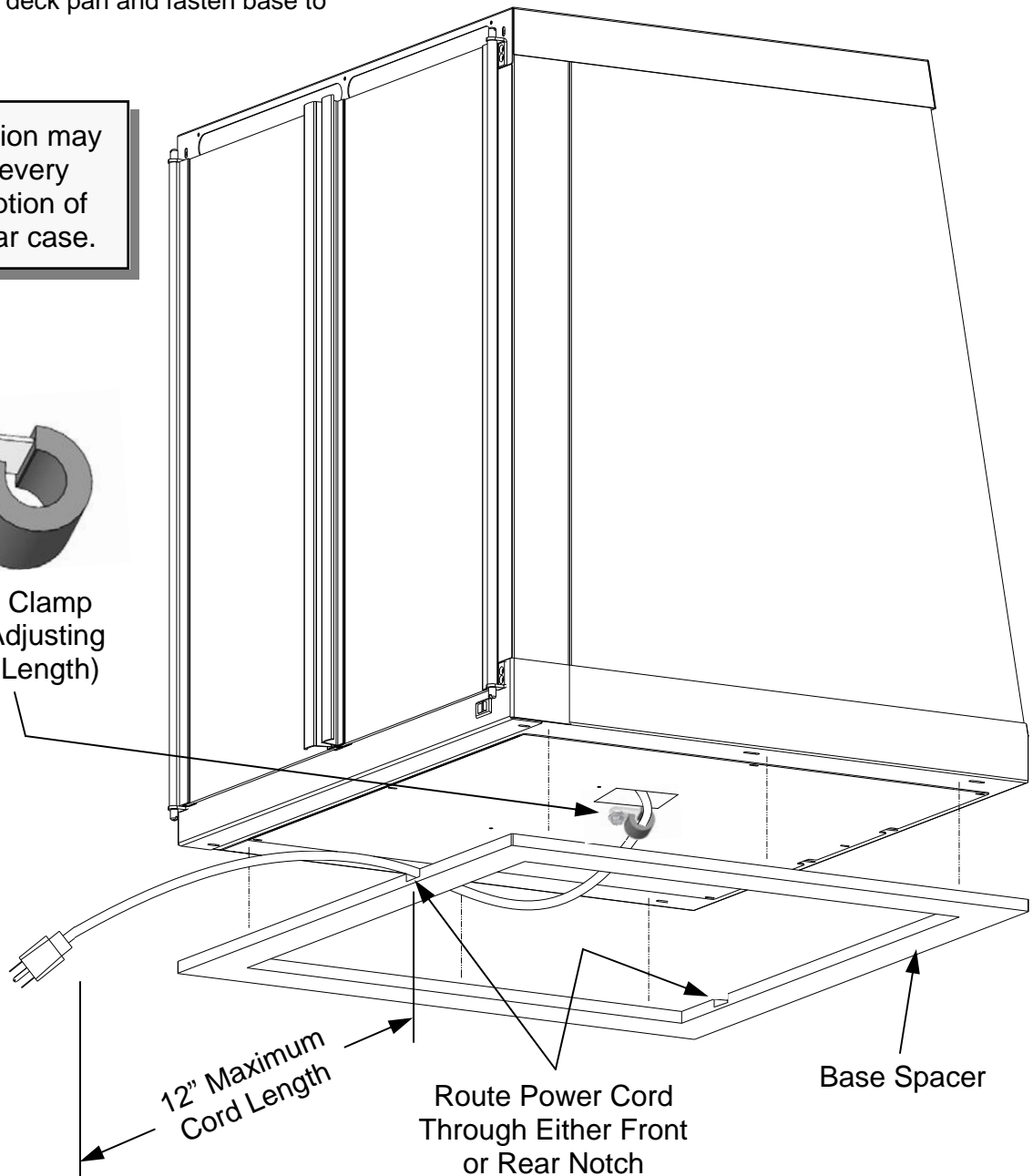
- Sit case on spacer carefully routing power cord through either front or rear notch (as shown below).
- Cord to exit at rear doors side for service cases.
- Cord to exit at front side for self-service cases.
- Power cord can only have a 12" MAXIMUM length from outer notch to plug (as shown below).
- Adjust cord length with cord clamp attached at underside of base (as shown below). Tighten clamp screw securely!
- Remove inside deck pan and fasten base to spacer.

- **Note:** The National Sanitation Foundation (NSF®) requires the following two steps be done before this case can be used.
- 1. After case is in position, apply a steady bead of industrial grade silicone sealant around the base and counter top. Also, apply silicone sealant to notch around cord.
- 2. Allow 24 hours for the silicone to dry before using the case. Plug cord into a certified electrical outlet with ground.

Note: Illustration may not reflect every feature or option of your particular case.



Cord Clamp
(For Adjusting
Cord Length)



LED LIGHTING (STANDARD)

1. LED Style Light Switch

- Light switch is at lower-left-left near LED light.
- See illustration at mid-right.

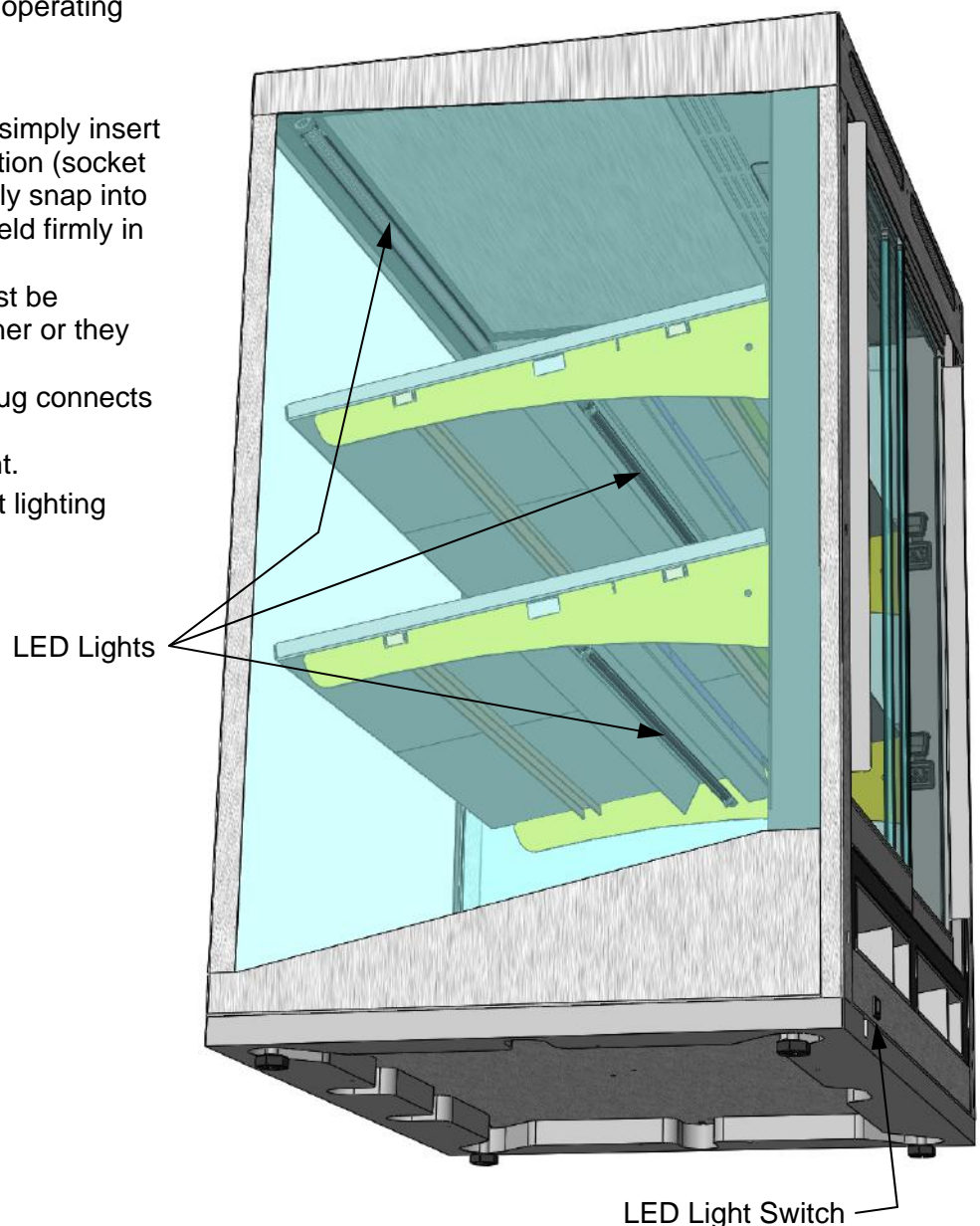
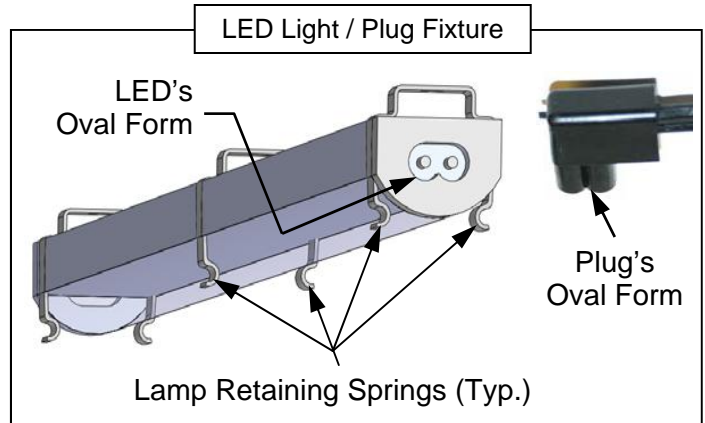
2. LED Style Light Fixtures

Removal of faulty LED light:

- LED lights rarely require change-out.
- To remove faulty LED light, simply grasp light near retaining spring and carefully pull away from its spring. Disconnect plug from LED's socket.
- Contact Structural Concepts' Technical Service Department for replacement parts (see the Technical Service section of operating manual for information).

Replacement of LED light:

- To replace LED light fixture, simply insert new LED light at proper position (socket must be near plug). Carefully snap into metal springs so LEDs are held firmly in place.
 - **Note:** LED light and plug must be connected in a specific manner or they will not work.
 - Make certain oval edge of plug connects to oval edge of LED light.
 - See illustrations at lower right.
- >> See next page for fluorescent lighting information and illustrations.



FLUORESCENT LIGHTING (OPTIONAL)

Lighting

Warning! Disconnect power before providing maintenance and service to unit.

Caution: Lamps have been treated to resist breakage and must be replaced with similarly treated lamps.

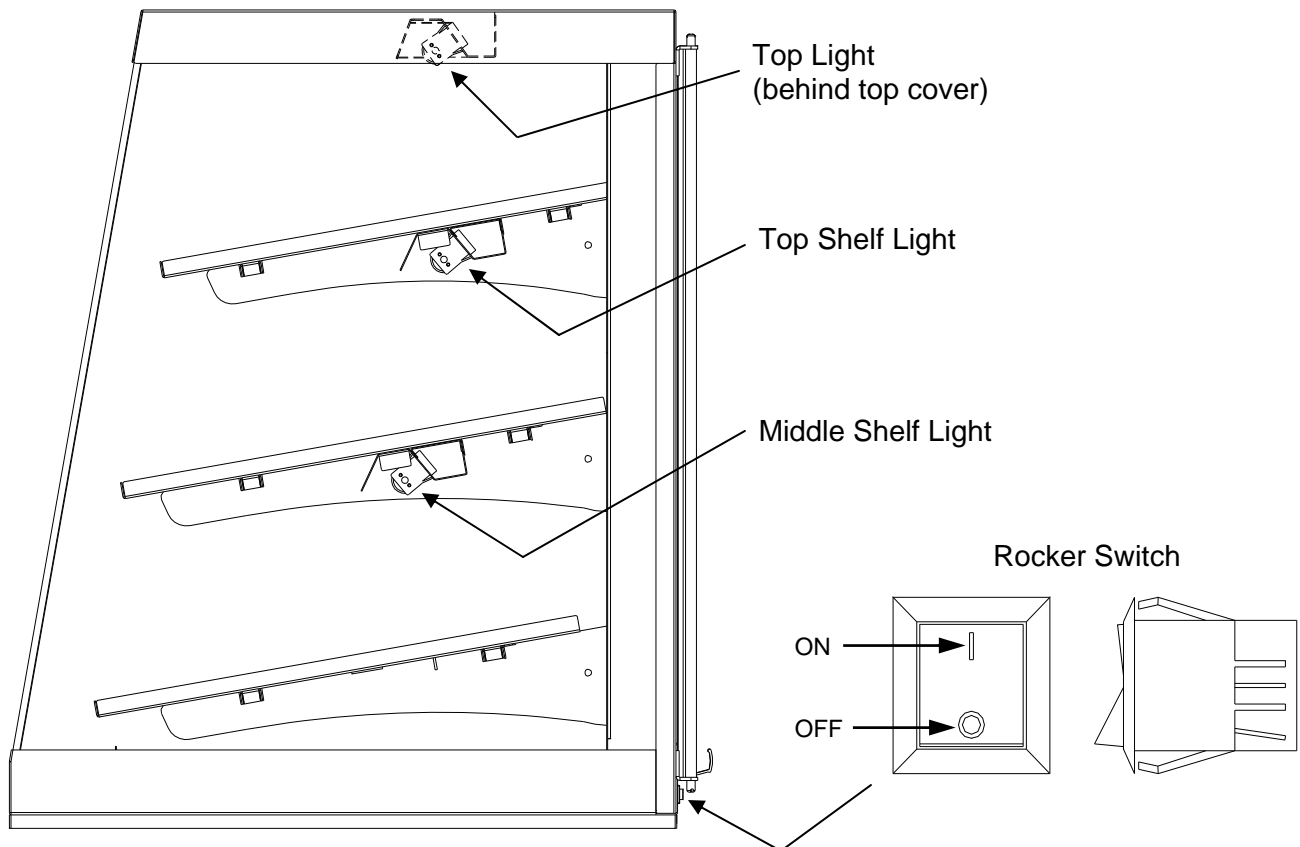
- Startup: Turn lights' "Rocker Switch" on, (switch location is below doors).
- The lights should illuminate immediately. However, first time lighting may require a short warm-up period for the bulbs.
- Slight dimness or flickering of new bulbs is normal.

Removal of lamp:

- Rotate lamp (1/4-turn) either direction to disengage (upper or lower) pins/contacts from lamp-mounting sockets.
- Remove bulb by applying even pressure from back side at the bulb ends and pulling the remaining contact from sockets.

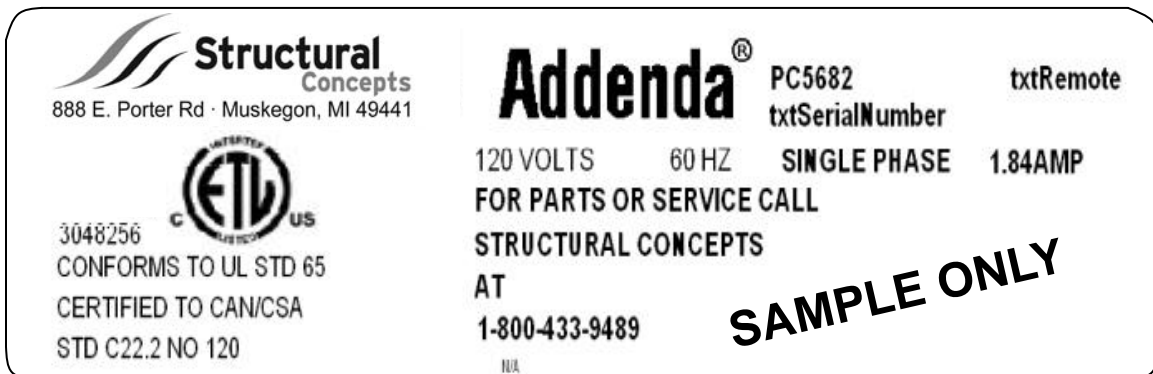
Installation of lamp:

- Align pins with slot.
 - Insert pins into socket by rotating the bulb 1/4-turn to secure either the (upper or lower) pin contacts into the sockets.
 - Rotate remaining bulb contacts (1/4-turn) into remaining lamp mounting socket contacts.
- >> See previous page for LED lighting and illustrations.



Serial Label Location & Information Listed / Technical Information & Service

- Serial labels are located near the electrical access on your case.
- Serial labels contain electrical Information, as well as regulatory standards to which the case conforms.
- For additional technical information and service, see the *TECHNICAL SERVICE* page in this manual for instructions on contacting Structural Concepts' Technical Service Department.
- See image below for sample serial label.



----- Sample Serial Label -----

TROUBLESHOOTING

Case Lights Not Working	Check bulbs for proper installation and connection.
	Check for burned out bulbs.
	Clean dirt and dust from the bulbs to prevent flickering.
System is not Operating	Confirm the utility power is on (authorized personnel only).
	Check the circuit breaker box for tripped circuits (authorized personnel only).

CLEANING SCHEDULE

Cleaning	Daily	Weekly	Task
Interior/Exterior	X		Clean all glass surfaces with a household or commercial glass cleaner and a soft cloth.
	X		Clean the deck and shelving surfaces with damp cloth. For stubborn stains or hardened residue, use hot, soapy water and soft-bristled brush. Caution! Do not use brushes or pads with metal bristles or coils to clean this unit as they will scratch and mar surfaces.
		X	<p>Stainless Steel Surfaces:</p> <ul style="list-style-type: none"> • Wash with a solution of hand dishwashing liquid detergent and water; or a solution of baking soda and water. Rinse and polish dry with paper towel or soft cloth. • Never use scouring powders or steel wool as they will scratch stainless steel. • Brighten by polishing with a cloth dipped in vinegar or in ammonia; sprinkle baking soda on sponge and rub gently; rinse. Polish dry with paper towel. • Remove streaks or heat stains from stainless steel by rubbing with club soda.

SCC TECHNICAL SERVICE CONTACT INFORMATION & WARRANTY INFORMATION

STRUCTURAL CONCEPTS CORPORATION TECHNICAL SERVICE: Call 1.800.433.9490 or For Your Master Service Agent See WWW.STRUCTURALCONCEPTS.COM/Contact/Master_Service_Agents.asp

LIMITED WARRANTY

All sales by Structural Concepts Corporation (SCC) are subject to the following limited warranty. "Goods" refers to the product or products being sold by SCC.

Warranty Scope: Warranty is for equipment sold in the United States, Canada, Mexico and Puerto Rico. Equipment sold elsewhere may carry modified warranty.

Warranty, Remedies, Limitations: The limit of liability of SCC toward the exchange cost of the original compressor motor (and/or any other components) is one year parts and labor. If any Goods are found to be of faulty material or workmanship within one year of the original F.O.B. unit shipment, SCC will, at its option (after inspection by an authorized representative), replace or pay the reasonable cost of replacement of the faulty Goods. If warranty claim is not made within this one year time period, SCC is not bound to warrant Goods. A motor-compressor (and/or any other components) replaced during the warranty shall not exceed manufacturer's current established wholesaler's exchange price. If replacement motor-compressor (and/or other components) is available via storage facility, parts truck, etc., SCC mandates that readily accessible replacement components be used toward repair of Goods; in such instances, SCC will replace such equipment (at its own expense) after confirmation of its use/placement on defective unit. SCC shall not be charged an additional fee, up-charge or expense for such replacement Goods. If SCC is unable to repair or replace the defective Goods, SCC shall issue a credit to the Purchaser for full or partial purchase price, as SCC shall determine. The replacement or payment in the manner described above shall be the sole and exclusive remedy to Purchaser for a breach of this warranty. If any Goods are defective or fail to conform to this warranty, SCC will furnish instructions for their disposition. No Goods shall be returned to SCC without its prior consent.

SCC's liability for any defect in the Goods shall not exceed the purchase price of the Goods. SCC SHALL HAVE NO LIABILITY TO PURCHASE FOR CONSEQUENTIAL DAMAGES OF ANY KIND WHATSOEVER, INCLUDING, BUT NOT LIMITED TO, PERSONAL INJURY, PROPERTY DAMAGE, LOST PROFITS, OR OTHER ECONOMIC INJURY DUE TO ANY DEFECT IN THE GOODS OR ANY BREACH OF SCC. SCC SHALL NOT BE LIABLE TO THE PURCHASER IN TORT FOR ANY NEGLIGENT DESIGN OR MANUFACTURE OF THE GOODS, OR FOR THE OMISSION OF ANY WARNING THEREFROM.

SCC shall have no obligation or liability under this warranty for claims arising from any other party's (including Purchaser's) negligence or misuse of the Goods or environmental conditions. This warranty does not apply to any claim or damage arising from or caused by improper storage, handling, installation, maintenance, or from fire, flood, accidents, structural defects, building settlement or movement, acts of God, or other causes beyond SCC's control.

Except as expressly stated herein, SCC makes no warranty, express, implied, statutory or otherwise as to any parts or goods not manufactured by SCC. SCC shall warrant such parts or Goods only (I) against such defects, (II) for such periods of time, and (III) with such remedies, as are expressly warranted by the manufacturer of such parts of Goods. Notwithstanding the foregoing, any warranty with respect to such parts of Goods and any remedies available as a result of a breach thereof shall be subject to all of the procedures, limitations, and exclusions set forth herein.

THE WARRANTIES HEREIN ARE IN LIEU OF ALL WARRANTIES, EXPRESS, IMPLIED, STATUTORY, OR OTHERWISE. IN PARTICULAR, SCC MAKES NO WARRANTY OF MERCHANTABILITY OR FITNESS FOR A PARTICULAR PURPOSE.

No representative, agent or dealer of SCC has authority to modify, expand, or extend this Warranty, to waive any of the limitations or exclusions, or to make any different or additional warranties with respect to Goods.

Period of Limitations: No claim, suit or other proceeding may be brought by Purchaser for any breach of the foregoing warranty or this Agreement by SCC or in any way arising out of this Agreement or relating to the Goods after one year from the date of the breach. In the interpretation of this limitation on action for a breach by SCC, it is expressly agreed that there are no warranties of future performance of the goods that would extend that period of limitation herein contained for bringing an action.

Indemnifications: Purchaser agrees to indemnify, hold harmless, and defend SCC if so requested, from any and all liabilities, as defined herein, suffered, or incurred by SCC as a result of, or in connection with, any act, omission, or use of the Goods by Purchaser, its employees or customers, or any breach of this Agreement by Purchaser. Liabilities shall include all costs, claims, damages, judgments, and expenses (including reasonable attorney fees and costs).

Remedies of SCC: SCC's rights and remedies shall be cumulative and may be exercised from time to time. In a proceeding or action relating to the breach of this Agreement by Purchaser, Purchaser shall reimburse SCC for reasonable costs and attorney's fees incurred by SCC. No waiver by SCC of any breach of Purchaser shall be effective unless in writing nor operate as a waiver of any other breach of the same term thereafter. SCC shall not lose any right because it has not exercised it in the past.

Applicable Law. This Agreement is made in Michigan; it is governed by and interpreted according to Michigan law. Any lawsuit arising out of this Agreement or the Goods may be handled by a federal or state court whose district includes Muskegon County, Michigan, and Purchaser consents that such court shall have personal jurisdiction over Purchaser.

LED Lighting Components Within Lighting System: Retail: 5-year LED warranty from date of shipment. **Foodservice:** 2-year LED warranty from date of shipment. After one year, warranty does not include labor or other costs incurred for diagnosing, repairing, removing, installing, shipping, servicing, or handling of either defective part or replacement parts. The remedy of repair or provision of a replacement part without charge shall be the exclusive remedy for any warranty claim. The replacement LED and/or power supply assumes the unused portion of warranty remaining on unit(s). A 90-day warranty will apply for any LED sold as a service part. Warranty claim must include serial and model number of unit as well as date code on defective LED lighting component(s). Manufacturer may request return of defective part(s) at customer's expense to initiate claim.

Miscellaneous: If any provision of this Agreement is found to be invalid or unenforceable under any law, the provision shall be ineffective to that extent and for the duration of the illegality, but the remaining provisions shall be unaffected. Purchaser shall not assign any of its rights nor delegate any of these obligations under this Agreement without prior written consent of SCC. This Agreement shall be binding upon and inure to the benefit of SCC and Purchaser and each of their legal representatives, successors and assigns.

SCC warrants its products to be free of defects in materials and workmanship under normal use and service for a period of one (1) year from the date of delivery.

This warranty is extended only to the original purchaser for use of the Goods. It does not cover normal wear parts such as plastic tongs, tong holders, tong cables, bag holders, or acrylic dividers.

General Conditions: All service labor and/or parts charges are subject to approval by SCC. Contact the Customer Service Department in writing or call 231-798-8888.

All claims must contain the following information: (1) model & serial code number of equipment; (2) the date and place of installation; (3) the name and address of the agency which performed the installation; (4) the date of the equipment failure; and (5) a complete description of the equipment failure and all circumstances relating to that failure.

Once the claim has been determined to be a true warranty claim by SCC's Customer Service Department, the following procedure will be taken: (1) replacement parts will be sent at no charge from SCC on a freight prepaid basis; (2) reimbursement for service labor will be paid if the following conditions have been met - (a) prior approval of service agency was awarded from the Customer Service Department; and (b) an itemized statement of all labor charges incurred is received by the Customer Service Department. The cost of the service labor reimbursement will be based on straight time rates and reasonable time for the repair of the defect.

If problems occur with any compressor, notify SCC's Customer Service Department immediately. Any attempt to repair or alter the unit without prior consent from the Customer Service Department will render any warranty claim null and void. This warranty and protection plan does not apply to any condensing unit or any part thereof which has been subject to accident, negligence, misuse, or abuse, or which has not been operated in accordance with the manufacturer's recommendations or if the serial number of the unit has been altered, defaced, or removed.

One Year Limit of Liability: After SCC's one-year parts and labor warranty on the original F.O.B. unit has expired, SCC is not liable for either the equipment or labor costs of repairing or replacing the motor compressor, nor any other components that were included in the original F.O.B. unit.