

Specialty - CO Refrigerated Low Profile Self-Service Case

Models

CO34R

CO44R

CO2739R



Applications

- Refrigerated self-service grab & go merchandiser for packaged products.

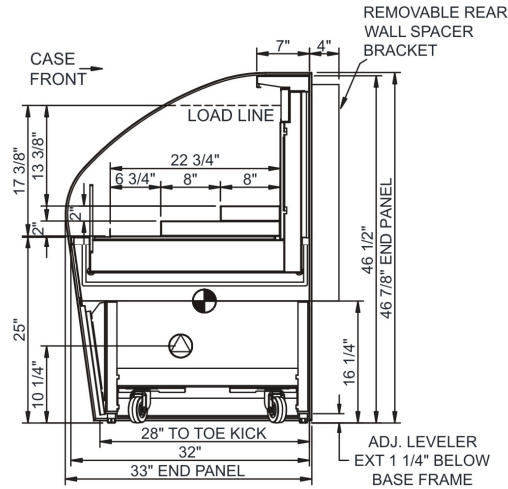
| Features | Standard | Options |
|---------------------------|---|--|
| EXTERIOR COLOR | <input type="checkbox"/> Laminated (confirm pattern/grain direction) | <input type="checkbox"/> Stainless steel |
| INTERIOR COLOR | <input type="checkbox"/> Black | <input type="checkbox"/> Stainless steel |
| REAR EXTERIOR | <input type="checkbox"/> Solid back panel, galvanized | |
| END PANELS | <input type="checkbox"/> Full with mirror | |
| SHELVING | <input type="checkbox"/> None | <input type="checkbox"/> ¹ Solid shelves, non-lighted |
| LIGHTS | <input type="checkbox"/> LED top light | |
| ELECTRICAL CONNECT | <input type="checkbox"/> Leads | <input type="checkbox"/> 6' Power cord |
| REFRIGERATION | <input type="checkbox"/> Remote DX refrigeration | <input type="checkbox"/> Breeze w/EnergyWise s/c refrigeration <input type="checkbox"/> ² Clean Sweep® coil cleaner (n/a w/remote) |
| MISCELLANEOUS | <input type="checkbox"/> 4"D removable rear wall spacer (not included in depth dimension) | <input type="checkbox"/> Display steps (n/a w/shelf) <input type="checkbox"/> Night curtain, retractable, non-locking <input type="checkbox"/> Price tag molding <input type="checkbox"/> Removable solid security cover, locking |

Option Notes: 1 - CO44R Only
2 - CO44R Only

Specialty CO Refrigerated Low Profile Self-Service Case

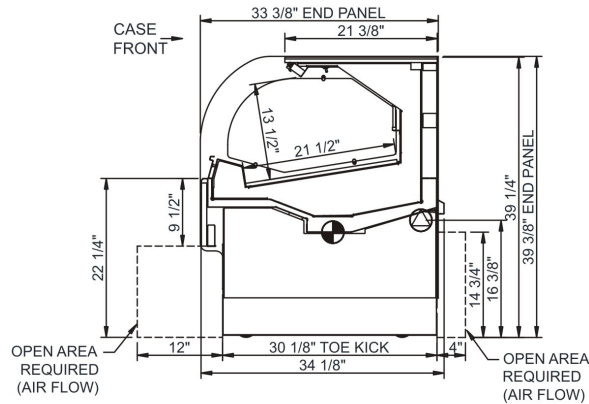
4' H MODELS

| Model | L x D x H (Lengths include end panels) |
|-------|---|
| CO34R | 36-1/4"L x 33"D x 46-7/8"H |
| CO44R | 47-1/4"L x 33"D x 46-7/8"H |



CO2739R

| Model | L x D x H (Lengths include end panels) |
|---------|---|
| CO2739R | 27-1/2"L x 34-1/8"D x 39-3/8"H |



IMPORTANT NOTES:

- 1) Units are supplied with levelers which must be adjusted during installation to ensure the unit is level and plumb.
- 2) Dimensions reflect levelers extended 1-1/4"

WARNING

This product can expose you to chemicals including Urethane (Ethyl Carbamate), which are known to the State of California to cause cancer and birth defects or other reproductive harm. For more information go to www.P65Warnings.ca.gov.

INTENDED ENVIRONMENT

Designed to operate in ambient conditions of 75°F with 55% relative humidity.

WARMEST AVG PRODUCT TEMP

| Zone | Temp (°F) |
|------|-----------|
| 1 | 40 |

INTENDED USE OF DISPLAY AREAS

| Zone | Intended Use |
|------|---|
| 1 | Bottled or packaged perishable products |