

G Series - GCDT Gravity Coil Cold Over Cold Combination Case 12" Dome

Models

GCDT456RLB
GCDT656RLB
GCDT856RLB
GCDT1256RLB



Applications

- Gravity Coil Cold service over Cold self-service merchandiser for deli, meat & seafood items.

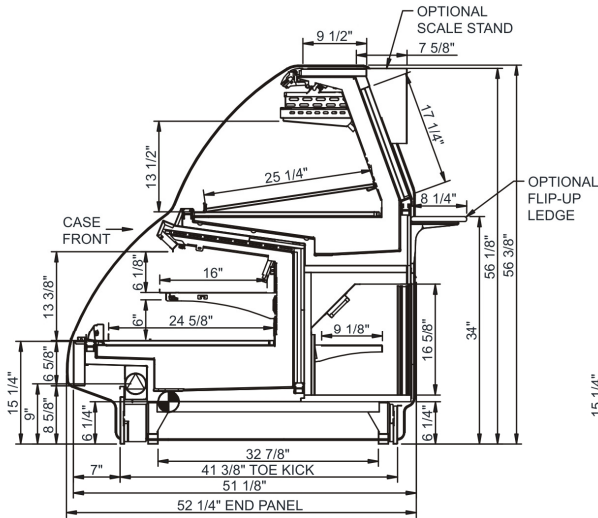
Features	Standard	Options
EXTERIOR COLOR	<input type="checkbox"/> Powder coated (specify color)	<input type="checkbox"/> Laminated (confirm pattern/grain direction) <input type="checkbox"/> Stainless steel
EXTRUSION COLOR	<input type="checkbox"/> Black	<input type="checkbox"/> Silver
INTERIOR COLOR	<input type="checkbox"/> Stainless steel	
BUMPER FRONT	<input type="checkbox"/> None	<input type="checkbox"/> 1" Boston bumper (specify color)
END PANELS	<input type="checkbox"/> None (specify per line-up)	<input type="checkbox"/> Cutaway w/ glass <input type="checkbox"/> Full with mirror
FRONT GLASS	<input type="checkbox"/> Curved single pane, lift-up	<input type="checkbox"/> Flat angled single pane, lift-up
REAR DOORS LOWER	<input type="checkbox"/> Clear glass rear sliding doors	<input type="checkbox"/> Reflective glass rear sliding doors <input type="checkbox"/> Stainless steel rear sliding doors
REAR DOORS UPPER	<input type="checkbox"/> Clear glass rear sliding doors	<input type="checkbox"/> Reflective glass rear sliding doors
REAR STORAGE	<input type="checkbox"/> Non-refrigerated rear storage (w/doors)	<input type="checkbox"/> Refrigerated rear storage (w/doors)
SCALE STAND	<input type="checkbox"/> None	<input type="checkbox"/> ¹ Scale stand (specify location) <input type="checkbox"/> ² Scale stand w/ CAT5 (specify location)
LOWER DISPLAY	<input type="checkbox"/> (1) Lighted solid shelf	
PRICE TAG MOLDING	<input type="checkbox"/> None	<input type="checkbox"/> Price tag molding (black) <input type="checkbox"/> Price tag molding (silver)
UPPER DISPLAY	<input type="checkbox"/> Display racks for fresh meat (platter & gravity coil)	<input type="checkbox"/> Ice pans, requires floor drain
LOWER DISPLAY NOSE LIGHTS	<input type="checkbox"/> LED nose light	<input type="checkbox"/> None
UPPER DISPLAY NOSE LIGHTS	<input type="checkbox"/> None	
ELECTRICAL CONNECT	<input type="checkbox"/> Leads	
REFRIGERATION	<input type="checkbox"/> Gravity coil	
SENSOR	<input type="checkbox"/> None	<input type="checkbox"/> CPC discharge air sensor <input type="checkbox"/> Discharge air sensor (specify type)
MISCELLANEOUS		<input type="checkbox"/> Rear door lock <input type="checkbox"/> Rear wrapping board

Option Notes: 1 - Requires separate circuit
2 - Requires separate circuit

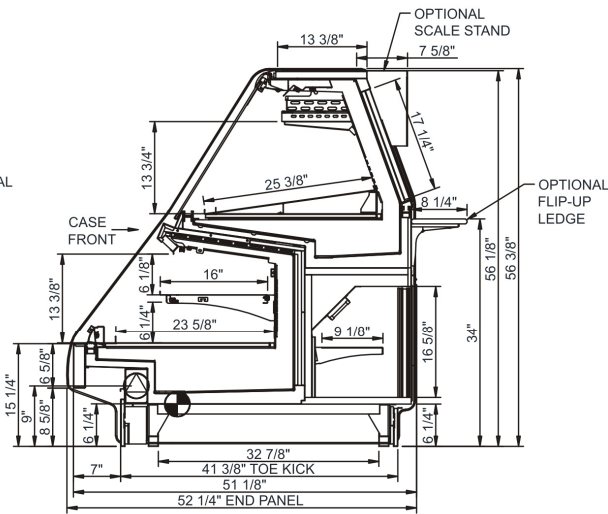
G Series GCDT Gravity Coil Cold Over Cold Combination Case 12" Dome

Model	L x D x H (Lengths do not include 1-1/8" end panels)
GCDT456RLB	48-3/4"L x 52-1/4"D x 56-3/8"H
GCDT656RLB	73-1/8"L x 52-1/4"D x 56-3/8"H
GCDT856RLB	97-1/2"L x 52-1/4"D x 56-3/8"H
GCDT1256RLB	146-1/4"L x 52-1/4"D x 56-3/8"H

STANDARD CURVED PROFILE



FLAT ANGLED OPTION PROFILE



IMPORTANT NOTES:

- Units must be shimmed during installation to ensure the unit is level and plumb.

⚠️ WARNING

This product can expose you to chemicals including Urethane (Ethyl Carbamate), which are known to the State of California to cause cancer and birth defects or other reproductive harm. For more information go to www.P65Warnings.ca.gov.

INTENDED ENVIRONMENT

Designed to operate in ambient conditions of 75°F with 55% relative humidity.

WARMEST AVG PRODUCT TEMP

Zone	Temp (°F)
1	38-40

INTENDED USE OF DISPLAY AREAS

Zone	Intended Use
1	Packaged / unpackaged refrigerated products