

G Series - GHSSV 56"H Refrigerated High-Capacity Self-Service Case - Vertical Profile

Models

GHSSV456RLB
 GHSSV556RLB
 GHSSV656RLB
 GHSSV856RLB
 GHSSV1256RLB



Deli Application

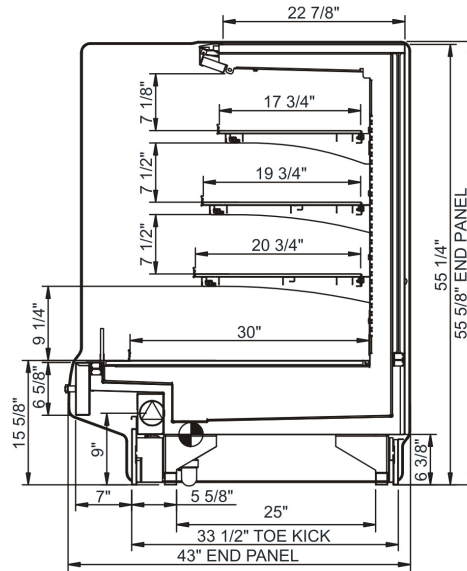
Features	Standard	Options
EXTERIOR COLOR	<input type="checkbox"/> Powder coated (specify color)	<input type="checkbox"/> Laminated (confirm pattern/grain direction) <input type="checkbox"/> Stainless steel
INTERIOR COLOR	<input type="checkbox"/> Black	<input type="checkbox"/> Stainless steel <input type="checkbox"/> White
BASE	<input type="checkbox"/> Rail system for shims	<input type="checkbox"/> 6"H legs
CASE PROFILE	<input type="checkbox"/> Vertical	
END PANELS	<input type="checkbox"/> None (specify per line-up)	<input type="checkbox"/> Case to case cutaway end <input type="checkbox"/> Case to case full end <input type="checkbox"/> Cutaway w/ glass <input type="checkbox"/> Full with mirror
TOP BOARD	<input type="checkbox"/> Powder coated (specify color)	<input type="checkbox"/> 2 cm. Quartz (specify color) <input type="checkbox"/> Laminated (confirm pattern/grain direction) <input type="checkbox"/> Solid surface (specify color) <input type="checkbox"/> Stainless steel
UPPER REAR	<input type="checkbox"/> Solid back panel	<input type="checkbox"/> Solid rear swinging doors
SHELVING	<input type="checkbox"/> (4) Lighted solid shelves	<input type="checkbox"/> (3) Lighted clear glass shelves <input type="checkbox"/> (3) Lighted solid shelves <input type="checkbox"/> (4) Lighted clear glass shelves
LIGHTING UPPER	<input type="checkbox"/> LED top light(s)	
ELECTRICAL CONNECT	<input type="checkbox"/> Leads	
REFRIGERATION	<input type="checkbox"/> Remote DX refrigeration	<input type="checkbox"/> E-Coated evaporator coil <input type="checkbox"/> Remote Glycol refrigeration
MISCELLANEOUS		<input type="checkbox"/> Bumper front/ends <input type="checkbox"/> Price tag molding <input type="checkbox"/> Top mount scale stand w/receptacle

Applications

- Self-Service multi-shelf merchandiser for refrigerated packaged deli, bakery or beverage items.

G Series GHSSV 56"H Refrigerated High-Capacity Self-Service Case - Vertical Profile

Model	L x D x H (Lengths do not include 1-1/8" end panels)
GHSSV456RLB	48-3/4"L x 43"D x 55-5/8"H
GHSSV556RLB	60-5/8"L x 43"D x 55-5/8"H
GHSSV656RLB	73-1/8"L x 43"D x 55-5/8"H
GHSSV856RLB	97-1/2"L x 43"D x 55-5/8"H
GHSSV1256RLB	146-1/4"L x 43"D x 55-5/8"H



IMPORTANT NOTES:

- Units must be shimmed during installation to ensure the unit is level and plumb.

⚠️ WARNING

This product can expose you to chemicals including Urethane (Ethyl Carbamate), which are known to the State of California to cause cancer and birth defects or other reproductive harm. For more information go to www.P65Warnings.ca.gov.

INTENDED ENVIRONMENT

Designed to operate in ambient conditions of 75°F with 55% relative humidity.

WARMEST AVG PRODUCT TEMP

Zone	Temp (°F)
1	40

INTENDED USE OF DISPLAY AREAS

Zone	Intended Use
1	Packaged refrigerated products