

G Series - GLDSV 52"H Refrigerated Low-Capacity Service Case w/ Vertical Glass

Models

GLDSV4R
GLDSV5R
GLDSV6R
GLDSV8R
GLDSV12R



Bakery Application

Applications

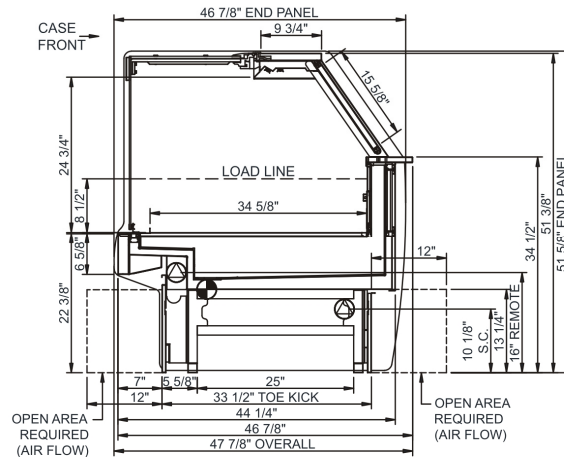
- Low capacity service merchandiser for refrigerated deli and bakery items.

Features	Standard	Options
ALUM EXTRUSION COLOR	<input type="checkbox"/> Black	<input type="checkbox"/> Silver
EXTERIOR COLOR	<input type="checkbox"/> Painted	<input type="checkbox"/> Laminated (confirm pattern/grain direction) <input type="checkbox"/> Stainless steel
INTERIOR COLOR	<input type="checkbox"/> Black	<input type="checkbox"/> Stainless steel <input type="checkbox"/> White
BASE	<input type="checkbox"/> Rail system for shims	<input type="checkbox"/> 6"H legs <input type="checkbox"/> Levelers
DISPLAY	<input type="checkbox"/> None	<input type="checkbox"/> 2"H Full depth display risers (n/a w/shelf)
END PANELS	<input type="checkbox"/> None (specify per line-up)	<input type="checkbox"/> Case to case cutaway end <input type="checkbox"/> Case to case full end <input type="checkbox"/> Cutaway w/ glass <input type="checkbox"/> Full with mirror
FRONT GLASS	<input type="checkbox"/> Vertical single pane, lift-up front glass	<input type="checkbox"/> Vertical single pane, swinging doors
REAR LEDGE	<input type="checkbox"/> Black poly	<input type="checkbox"/> Corian solid surface <input type="checkbox"/> Quartz <input type="checkbox"/> Stainless steel <input type="checkbox"/> White poly
TOP BOARD	<input type="checkbox"/> Powder coated (specify color)	<input type="checkbox"/> 2 cm. Quartz (specify color) <input type="checkbox"/> Laminated (confirm pattern/grain direction) <input type="checkbox"/> Solid surface (specify color) <input type="checkbox"/> Stainless steel
UPPER REAR DOORS	<input type="checkbox"/> Acrylic rear sliding doors w/o lock	<input type="checkbox"/> Open <input type="checkbox"/> Rear door lock
LIGHTING UPPER	<input type="checkbox"/> LED top light(s)	
REFRIGERATION	<input type="checkbox"/> Remote DX refrigeration	<input type="checkbox"/> Breeze w/EnergyWise s/c refrigeration <input type="checkbox"/> E-Coated evaporator coil <input type="checkbox"/> Remote Glycol refrigeration
MISCELLANEOUS		<input type="checkbox"/> Bumper front/ends <input type="checkbox"/> Clean Sweep® condenser coil cleaner <input type="checkbox"/> Price tag molding <input type="checkbox"/> Stainless steel condiment rail system <input type="checkbox"/> Top mount scale stand w/receptacle

G Series GLDSV 52"H Refrigerated Low-Capacity Service Case w/ Vertical Glass

STRAIGHT

Model	L x D x H (Lengths do not include 1-1/8" end panels)
GLDSV4R	48-3/4"L x 47-7/8"D x 51-5/8"H
GLDSV5R*	60-5/8"L x 47-7/8"D x 51-5/8"H
GLDSV6R	73-1/8"L x 47-7/8"D x 51-5/8"H
GLDSV8R*	97-1/2"L x 47-7/8"D x 51-5/8"H
GLDSV12R*	146-1/4"L x 47-7/8"D x 51-5/8"H



IMPORTANT NOTES:

- Units must be shimmed during installation to ensure the unit is level and plumb.

WARNING

This product can expose you to chemicals including Urethane (Ethyl Carbamate), which are known to the State of California to cause cancer and birth defects or other reproductive harm. For more information go to www.P65Warnings.ca.gov.

INTENDED ENVIRONMENT

Designed to operate in ambient conditions of 75°F with 55% relative humidity.

WARMEST AVG PRODUCT TEMP

Zone	Temp (°F)
1	40

INTENDED USE OF DISPLAY AREAS

Zone	Intended Use
1	Unpackaged refrigerated products

* Additional lead-time required
 INFORMATION IS SUBJECT TO CHANGE WITHOUT NOTICE. Visit www.structuralconcepts.com for the most current specs.

