

# G Series - GMBS Refrigerated Mid-Capacity Service Case

## Models

GMBS452R  
GMBS552R  
GMBS652R  
GMBS852R  
GMBS1052R  
GMBS1252R



## Applications

- Mid-capacity refrigerated service merchandiser for bakery items.

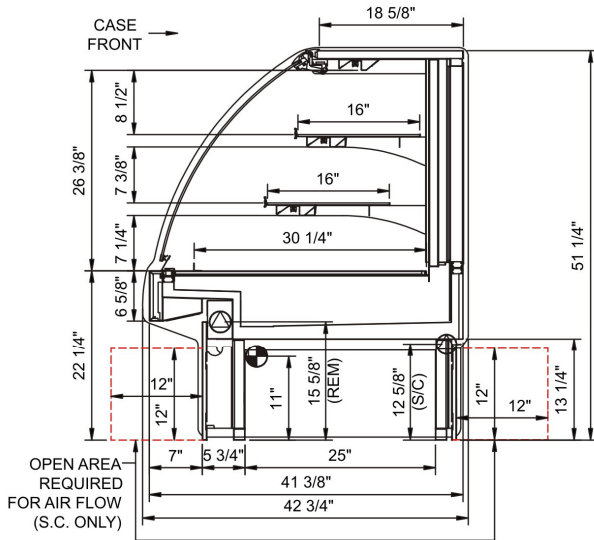
Features	Standard	Options
<b>EXTERIOR COLOR</b>	<input type="checkbox"/> Powder coated (specify color)	<input type="checkbox"/> Laminated (confirm pattern/grain direction) <input type="checkbox"/> Stainless steel
<b>EXTRUSION COLOR</b>	<input type="checkbox"/> Black	<input type="checkbox"/> Silver
<b>INTERIOR COLOR</b>	<input type="checkbox"/> Black	<input type="checkbox"/> Stainless steel <input type="checkbox"/> White
<b>BASE</b>	<input type="checkbox"/> Rail system for shims	<input type="checkbox"/> 6"H legs <input type="checkbox"/> Casters w/ levelers
<b>END PANELS</b>	<input type="checkbox"/> None (specify per line-up)	<input type="checkbox"/> Case to case cutaway end <input type="checkbox"/> Case to case full end <input type="checkbox"/> Cutaway w/ glass <input type="checkbox"/> Full with mirror
<b>FRONT GLASS</b>	<input type="checkbox"/> Curved single pane, lift-up (EH models flat angled only)	<input type="checkbox"/> Flat angled single pane, lift-up
<b>UPPER REAR DOORS</b>	<input type="checkbox"/> Clear glass rear sliding doors w/o lock	<input type="checkbox"/> Clear glass rear sliding doors w/lock <input type="checkbox"/> Reflective glass rear sliding doors w/lock <input type="checkbox"/> Reflective glass rear sliding doors w/o lock
<b>SHELVING</b>	<input type="checkbox"/> (2) lighted glass shelves - 12" & 20"	<input type="checkbox"/> (2) lighted solid shelves <input type="checkbox"/> 3"H Full depth display riser(s) (n/a w/shelf) <input type="checkbox"/> Angled deck <input type="checkbox"/> Angled display steps (n/a w/shelf) <input type="checkbox"/> Flat deck
<b>LIGHTING UPPER</b>	<input type="checkbox"/> LED top light(s)	
<b>ELECTRICAL CONNECT</b>	<input type="checkbox"/> Leads	
<b>REFRIGERATION</b>	<input type="checkbox"/> Remote DX refrigeration	<input type="checkbox"/> E-Coated evaporator coil <input type="checkbox"/> Remote Glycol refrigeration
<b>SENSOR</b>		<input type="checkbox"/> CPC discharge air sensor <input type="checkbox"/> Danfoss discharge air sensor <input type="checkbox"/> Discharge air sensor (specify type)
<b>MISCELLANEOUS</b>		<input type="checkbox"/> Bumper front/ends <input type="checkbox"/> Price tag molding <input type="checkbox"/> Rear wrapping board <input type="checkbox"/> Top mount scale stand w/receptacle

# G Series GMBS Refrigerated Mid-Capacity Service Case

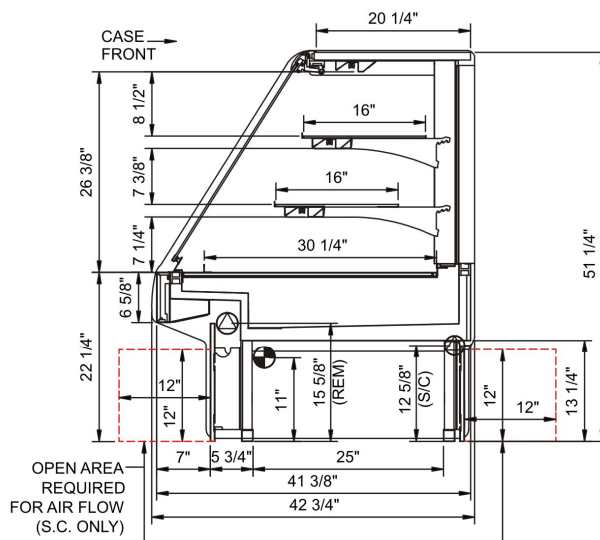
## STANDARD HEADER

Model	L x D x H (Lengths do not include 1-1/8" end panels)
GMBS452R	48-3/4"L x 42-3/4"D x 51-1/4"H
GMBS552R	60-5/8"L x 42-3/4"D x 51-1/4"H
GMBS652R	73-1/8"L x 42-3/4"D x 51-1/4"H
GMBS852R	97-1/2"L x 42-3/4"D x 51-1/4"H
GMBS1052R	121-1/8"L x 42-3/4"D x 51-1/4"H
GMBS1252R	146-1/4"L x 42-3/4"D x 51-1/4"H

STANDARD CURVED PROFILE



FLAT ANGLED OPTION PROFILE



## IMPORTANT NOTES:

- Units must be shimmed during installation to ensure the unit is level and plumb.

## **⚠️ WARNING**

This product can expose you to chemicals including Urethane (Ethyl Carbamate), which are known to the State of California to cause cancer and birth defects or other reproductive harm. For more information go to [www.P65Warnings.ca.gov](http://www.P65Warnings.ca.gov).

## INTENDED ENVIRONMENT

Designed to operate in ambient conditions of 75°F with 55% relative humidity.

## WARMEST AVG PRODUCT TEMP

Zone	Temp (°F)
1	40

## INTENDED USE OF DISPLAY AREAS

Zone	Intended Use
1	Unpackaged refrigerated products