

Islands - MIRF Single Deck Convertible Med-Low Temp Island Case

Models

MI44RF
MI46RF
MI48RF



Deli (40 degrees F)



Meat (38 degrees F)



Frozen (0 degrees F)

Features	Standard	Options
EXTERIOR COLOR	<input type="checkbox"/> Powder coated (specify color)	<input type="checkbox"/> Laminated (confirm pattern/grain direction) <input type="checkbox"/> Stainless steel
INTERIOR COLOR	<input type="checkbox"/> Black	<input type="checkbox"/> Stainless steel
BUMPER	<input type="checkbox"/> 1" bumper on all sides, double strip	
DISPLAY AREA	<input type="checkbox"/> Adjustable wire rack deck	
DISPLAY ENDS	<input type="checkbox"/> Flat Insulated glass	
UPPER FRONT PANEL		<input type="checkbox"/> Laminated (confirm pattern/grain direction)
ELECTRICAL CONNECT	<input type="checkbox"/> 6' Straight blade power cord	<input type="checkbox"/> 6' Locking blade power cord
EVAPORATOR COIL	<input type="checkbox"/> Non-coated evaporator coil	<input type="checkbox"/> E-Coated evaporator coil
REFRIGERATION	<input type="checkbox"/> Breeze w/EnergyWise s/c refrigeration	

Std Notes: 1 - Prod Hts: 8-1/2" & 12-1/2"

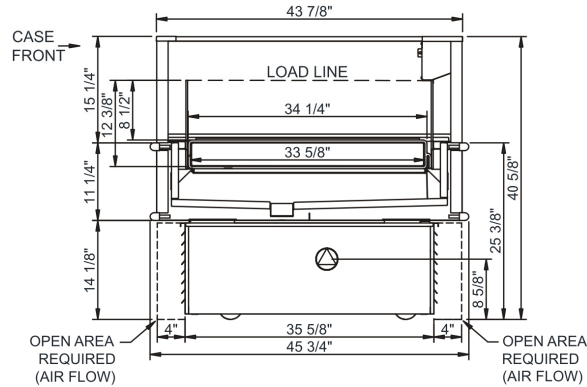
Applications

- Convertible between three temp settings:
- Low-temp for frozen (excluding ice cream) (0°F)
- Medium-temp for raw meat (38°F)
- Medium-temp for produce/deli (40°F)

Islands MIRF Single Deck Convertible Med-Low Temp Island Case

4' CASE DEPTH

Model	L x D x H (Lengths include end panels)
MI44RF	52-1/4"L x 45-3/4"D x 40-5/8"H
MI46RF	75"L x 45-3/4"D x 40-5/8"H
MI48RF	97-3/4"L x 45-3/4"D x 40-5/8"H



IMPORTANT NOTES:

- 1) Compressor air intake from rear and out front panel at toe kick. Front panel cannot be blocked.

WARNING

This product can expose you to chemicals including Urethane (Ethyl Carbamate), which are known to the State of California to cause cancer and birth defects or other reproductive harm. For more information go to www.P65Warnings.ca.gov.

INTENDED ENVIRONMENT

Designed to operate in ambient conditions of 75°F with 55% relative humidity.

WARMEST AVG PRODUCT TEMP

Zone	Temp (°F)
1	0-38-40

INTENDED USE OF DISPLAY AREAS

Zone	Intended Use
1	Packaged frozen (0°) Packaged raw meat (38°) Packaged produce/deli (40°)

For more information on any of our products or services please visit us on the web at:

www.structuralconcepts.com